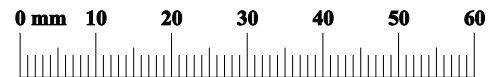


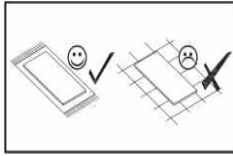
| | | | |
|-----|-----------|------------|----|
| 1/2 | 6 | 16x350x848 | x1 |
| | 7 | 16x350x848 | x1 |
| | 22 | 16x346x754 | x1 |
| | 21 | 16x346x754 | x1 |
| | 2 | 16x346x185 | x4 |
| | 23 | 16x346x754 | x1 |
| | 10 | 16x331x848 | x1 |
| | 11 | 16x331x848 | x1 |
| 1 | 16x293x94 | x4 | |

| | | | |
|-----|----|-------------|----|
| 2/2 | 4 | 16x310x110 | x4 |
| | 3 | 16x310x110 | x4 |
| | 9 | 16x350x1520 | x1 |
| | 8 | 16x350x1520 | x1 |
| | 5 | 3x307x317 | x4 |
| | 18 | 16x1521x60 | x1 |
| | 17 | 16x1521x60 | x1 |
| | 15 | 16x60x759 | x1 |
| | 16 | 16x60x759 | x1 |
| | 14 | 3x864x402 | x1 |
| | 13 | 3x349x864 | x2 |
| | 12 | 3x864x751 | x1 |
| | 19 | 16x331x735 | x1 |
| | 20 | 16x331x385 | x1 |



| | | | | | |
|----------|------------------|--------------|-------------|---------|---------|
| | | | | | |
| ZM1B x30 | ZM1A 15x12,5 x30 | ZM1 x30 | KS1 x1 | W11 x2 | KRW1 x1 |
| | | | | | |
| KD1 x32 | KD2 8x60 x8 | KSK1 x1 | ZDR x4 | ZDR1 x4 | W4 x12 |
| | | | | | |
| KK1 x1 | K1 7x50 x16 | S1 x16 | ZMP x2 | ZMP2 x2 | PP x8 |
| | | | | | |
| U75 x7 | WU 3,5x27 x14 | SR4 M4x12 x8 | PKU4 x4 | ME1 x16 | |
| | | | | | |
| SS3 x6 | W6 4x20 x6 | PL1 x10 | W1 3x16 x25 | | |

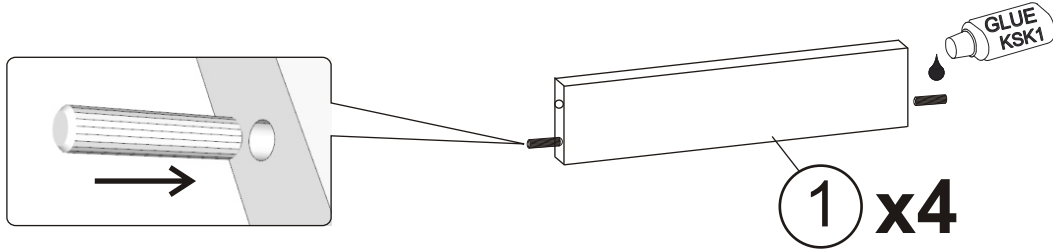
01



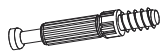
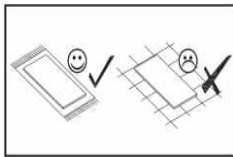
KD1 x8



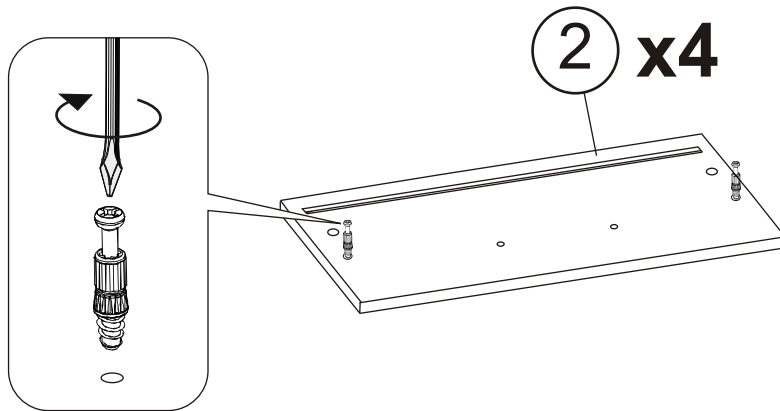
KSK1 x1



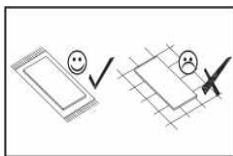
02



ZM1B x8



03



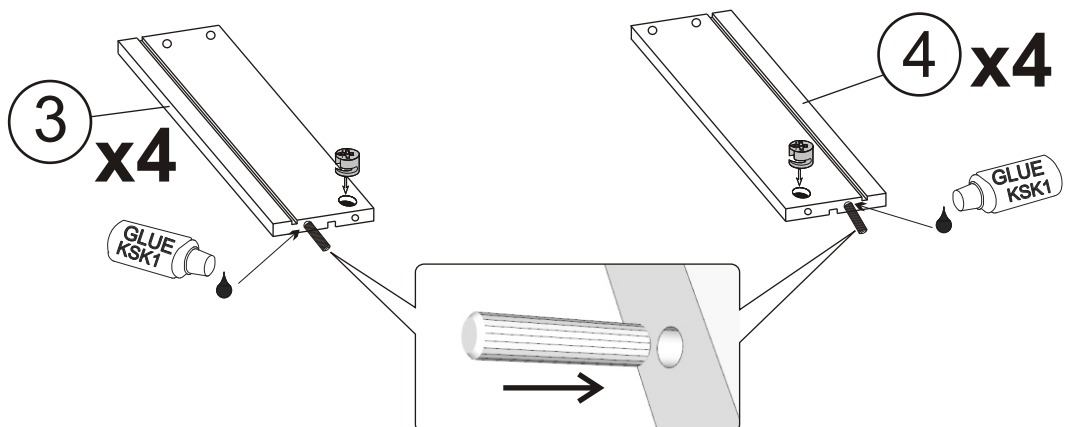
KD1 x8



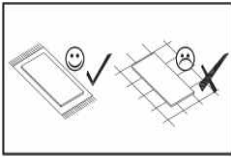
KSK1 x1



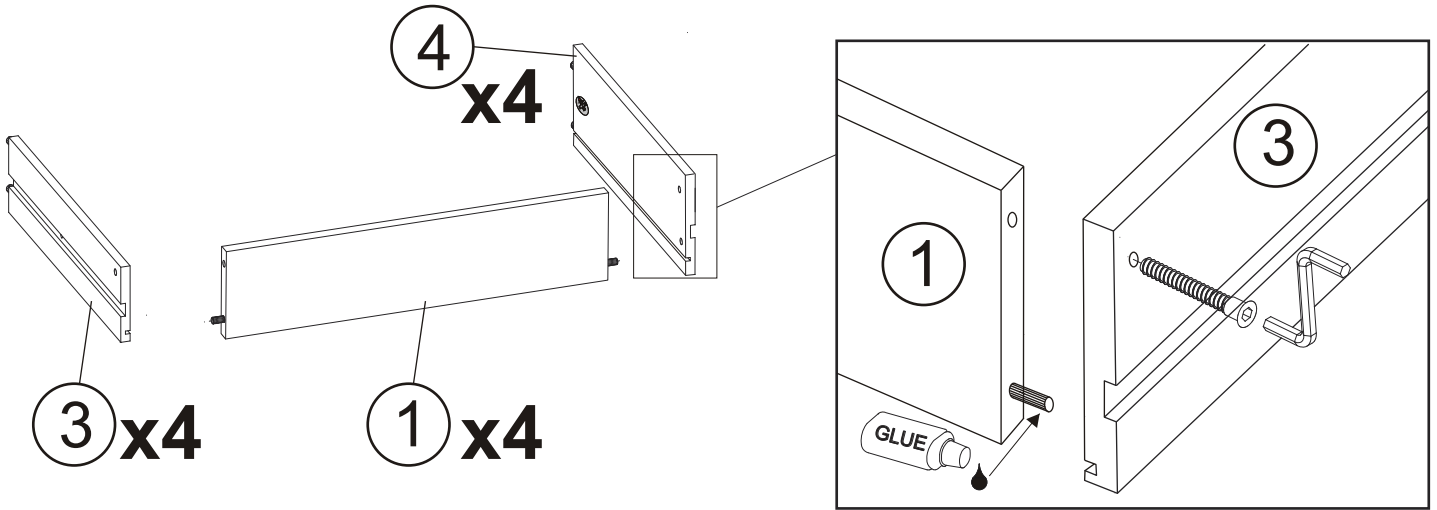
ZM1A x8



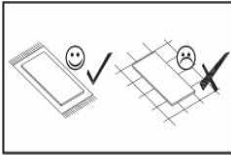
04



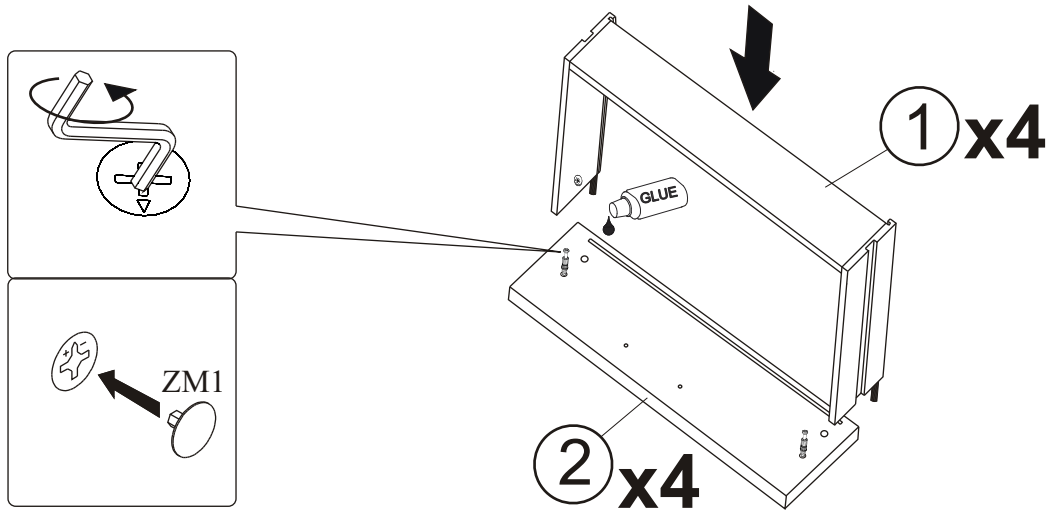
| | | | | | |
|-----|----|----|----|------|----|
| | x1 | | x8 | | x1 |
| KK1 | | K1 | | KSK1 | |



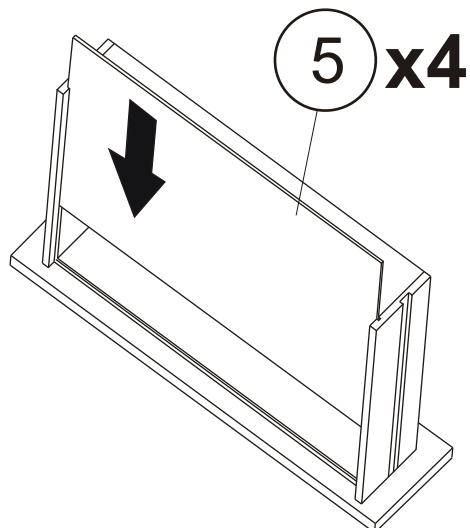
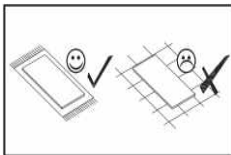
05



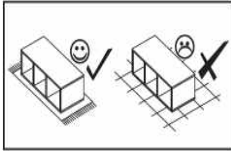
| | | | | | |
|-----|----|------|----|-----|----|
| | x1 | | x1 | | x8 |
| KK1 | | KSK1 | | ZM1 | |



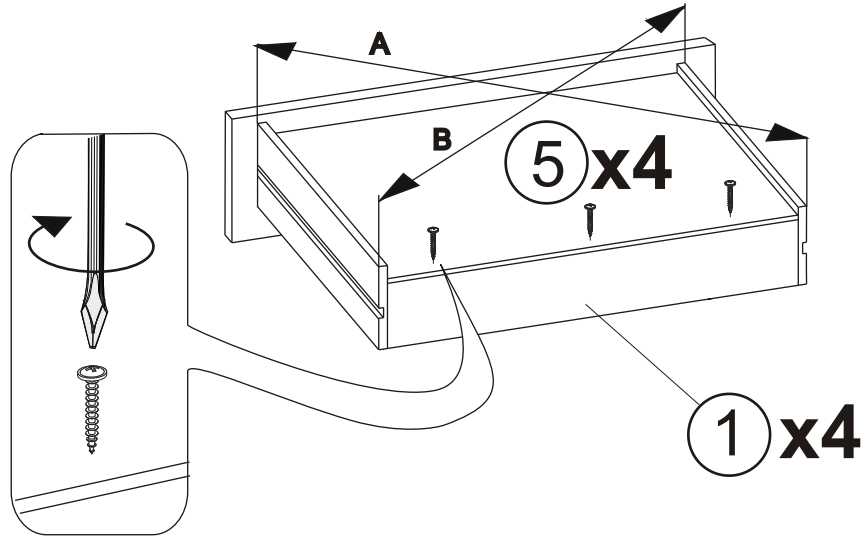
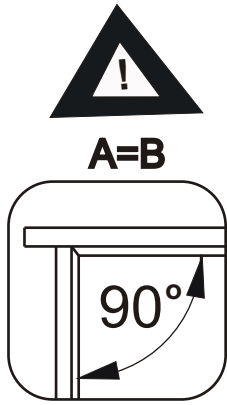
06



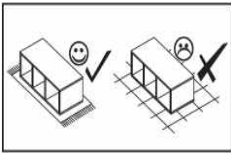
07



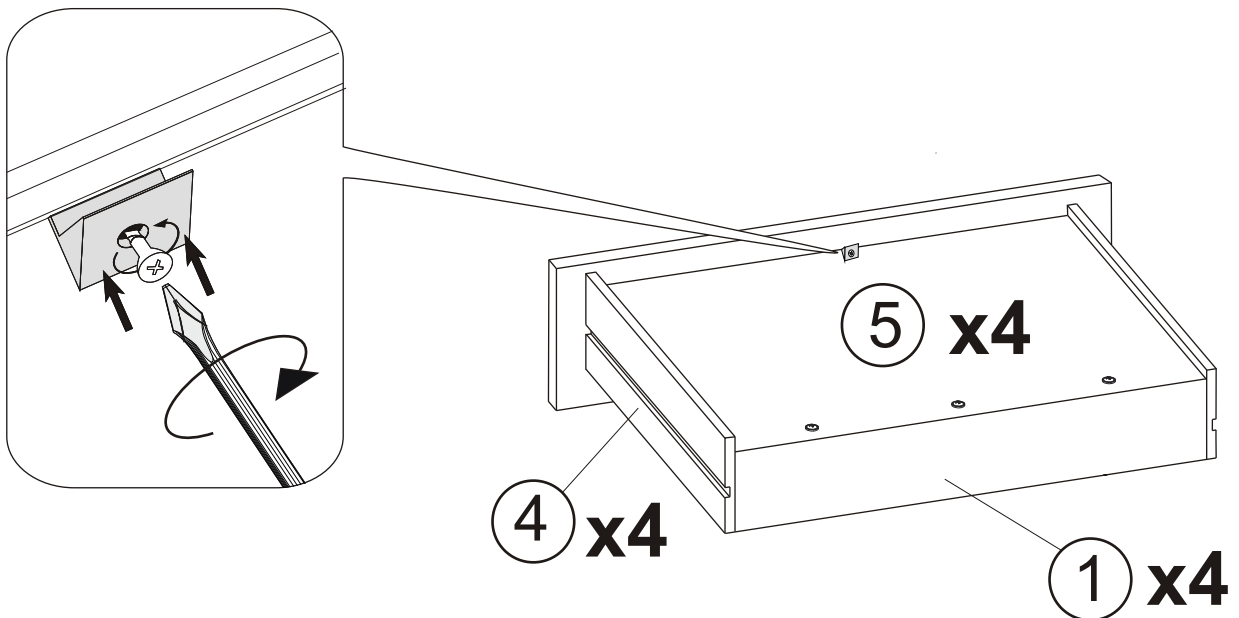
| | | | |
|-----|----|----|-----|
| | | | |
| KK1 | x1 | W1 | x12 |



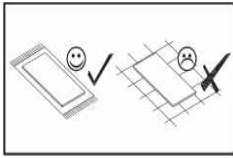
08





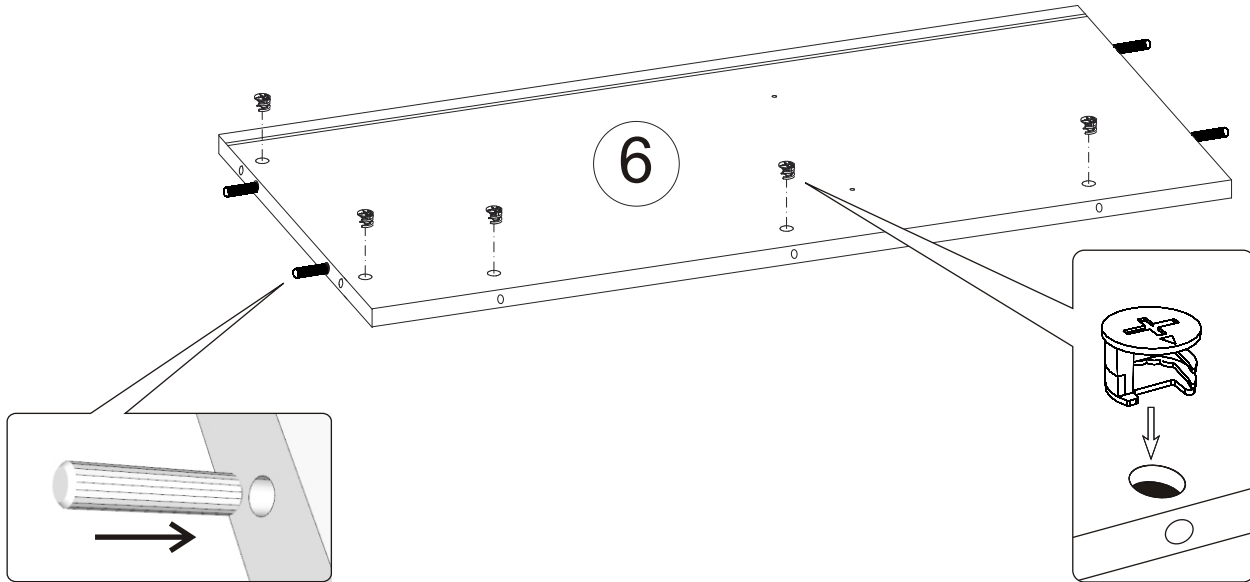
| | |
|----|----|
| | |
| S1 | x4 |



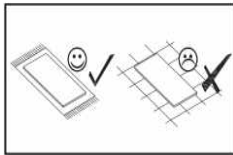
09





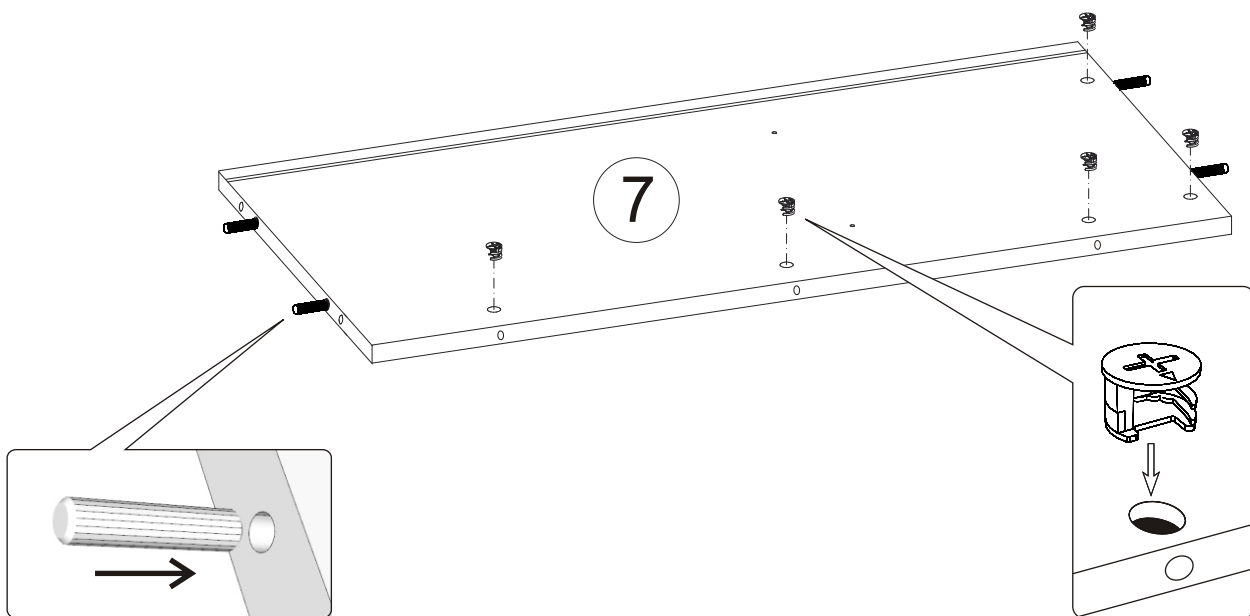
| | | | |
|---|---------|---|------|
|  | 15x12,5 |  | 8x35 |
| ZM1A | x5 | KD1 | x4 |



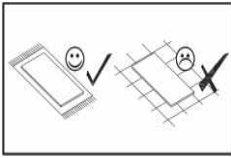
10

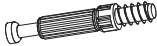
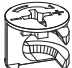


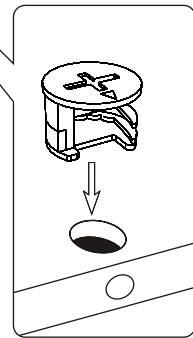
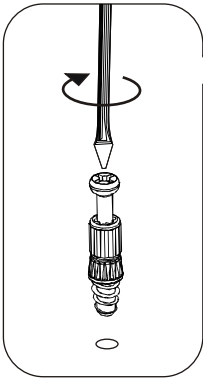
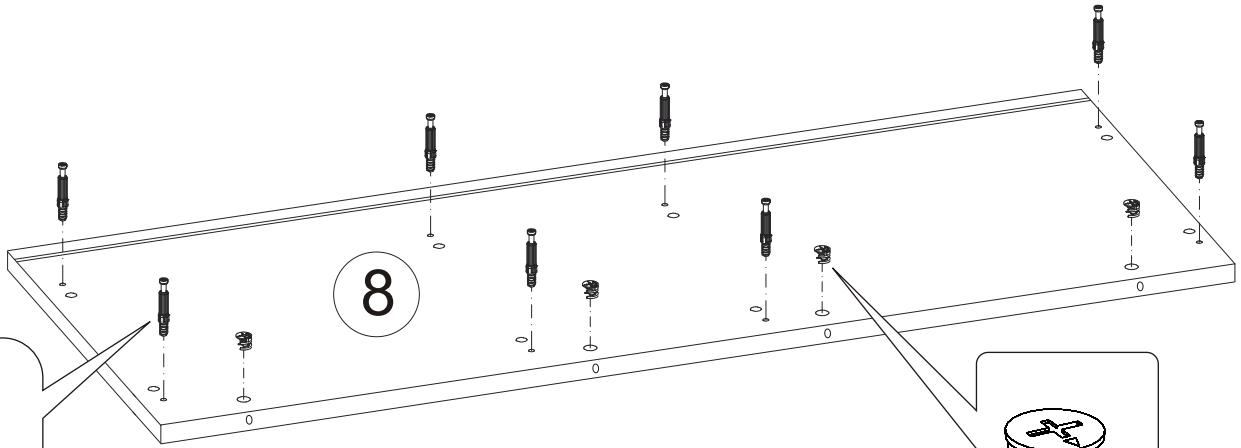
| | | | |
|---|---------|---|------|
|  | 15x12,5 |  | 8x35 |
| ZM1A | x5 | KD1 | x4 |



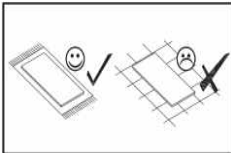
11






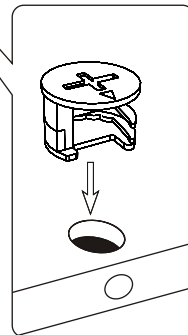
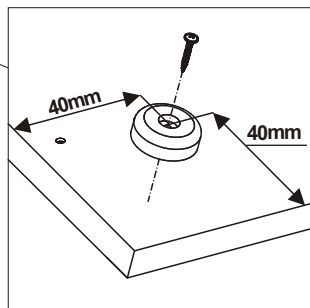
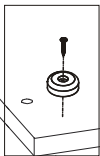
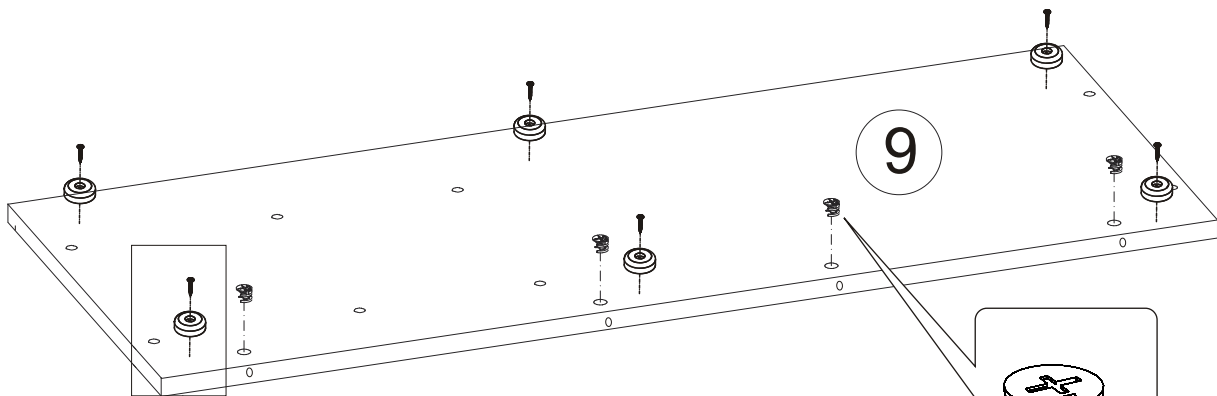
| | | | |
|---|----|---|----|
|  | |  | |
| 15x12,5 | | 15x12,5 | |
| ZM1B | x8 | ZM1A | x4 |



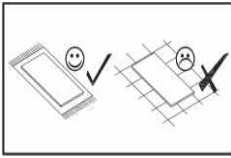
12



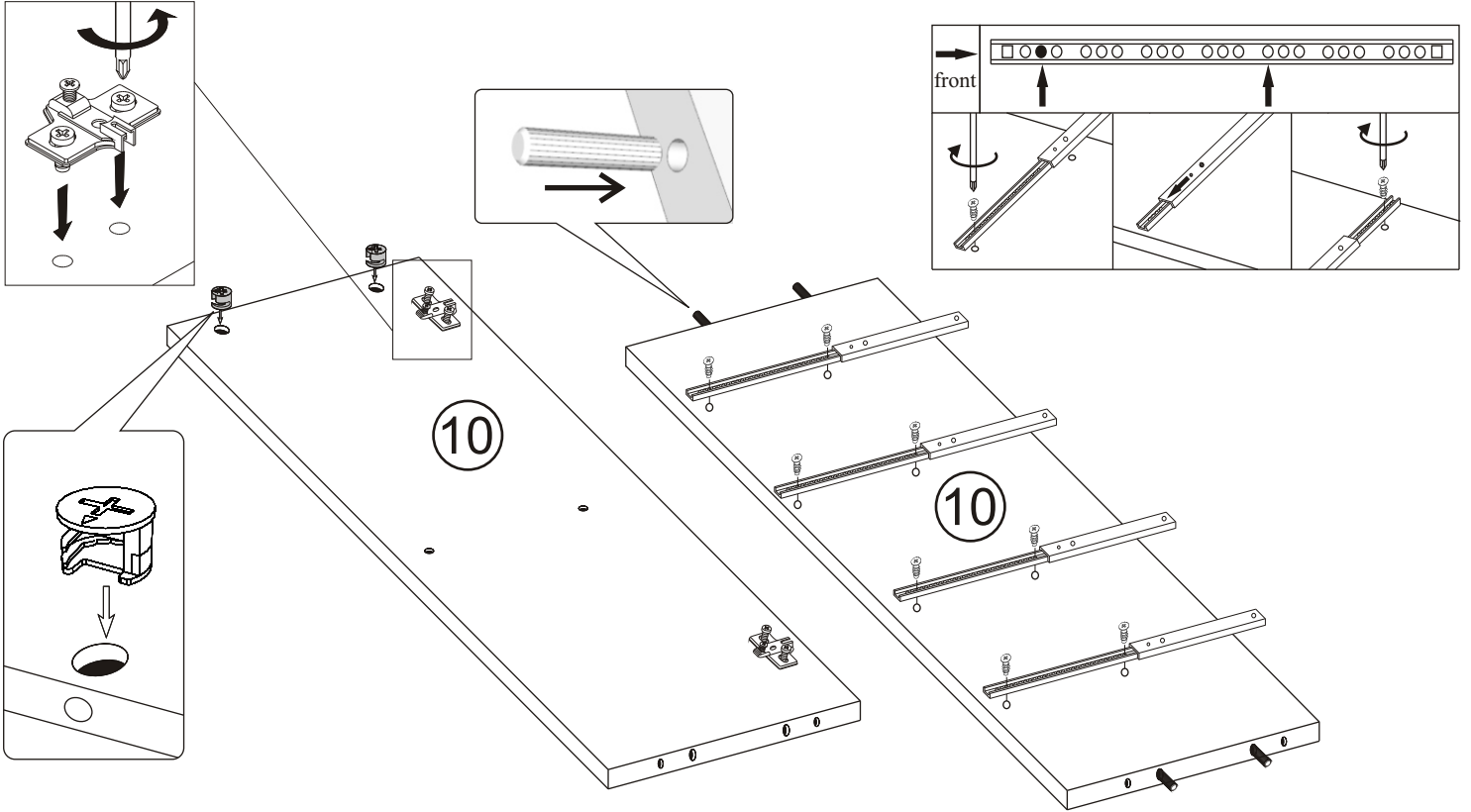
| | | | | | |
|---|----|---|----|--|----|
|  | |  | |  | |
| 15x12,5 | | SS3 | | 4x20 | |
| ZM1A | x4 | SS3 | x6 | W6 | x6 |



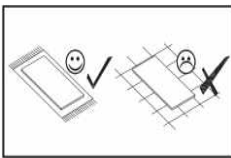
13



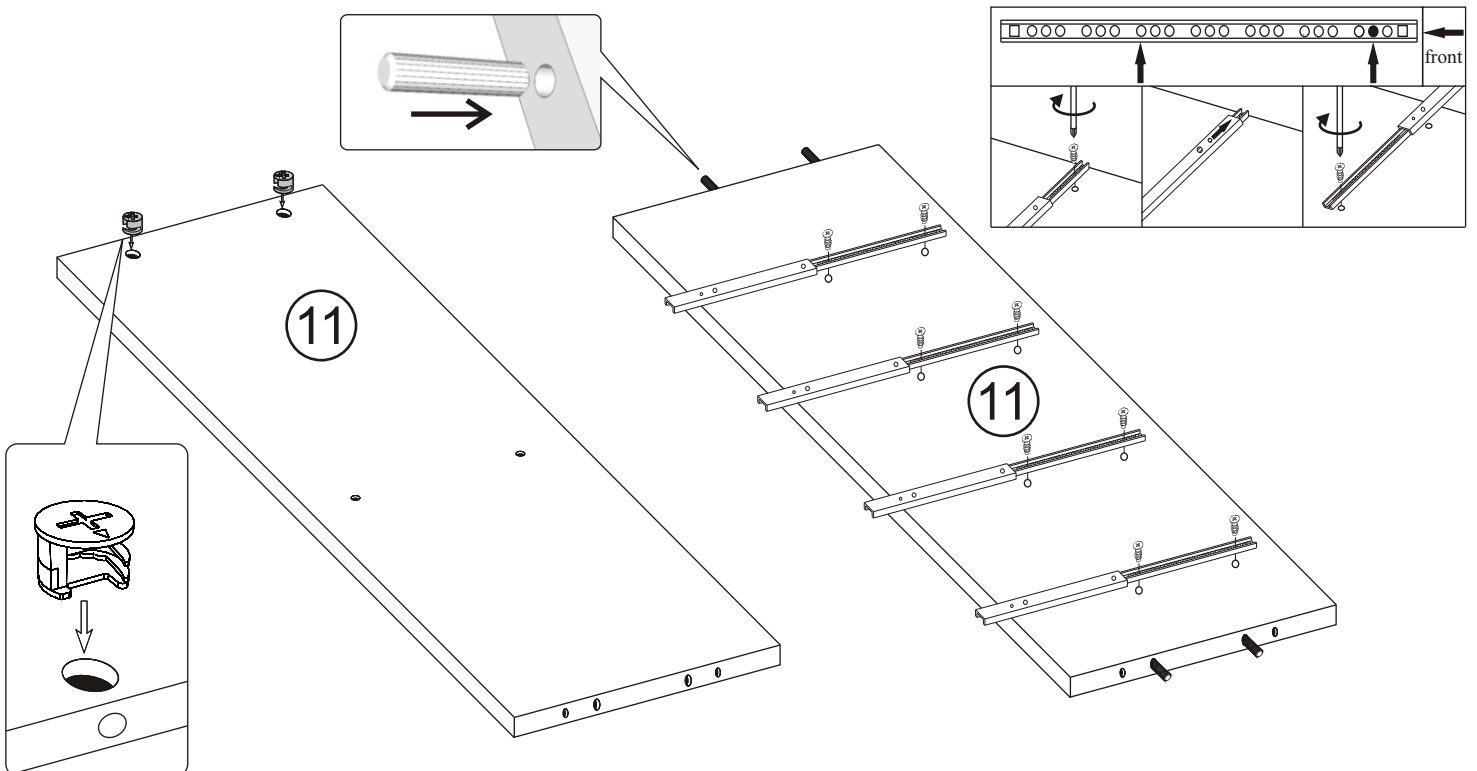
| | | | | | | | | | |
|------|----|-----|----|------|----|-----|----|-----|----|
| | x2 | | x8 | | x2 | | x4 | | x2 |
| PKU4 | x2 | ME1 | x8 | ZM1A | x2 | KD1 | x4 | ZMP | x2 |



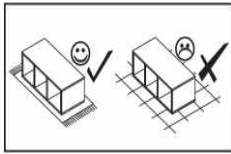
14

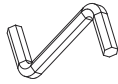



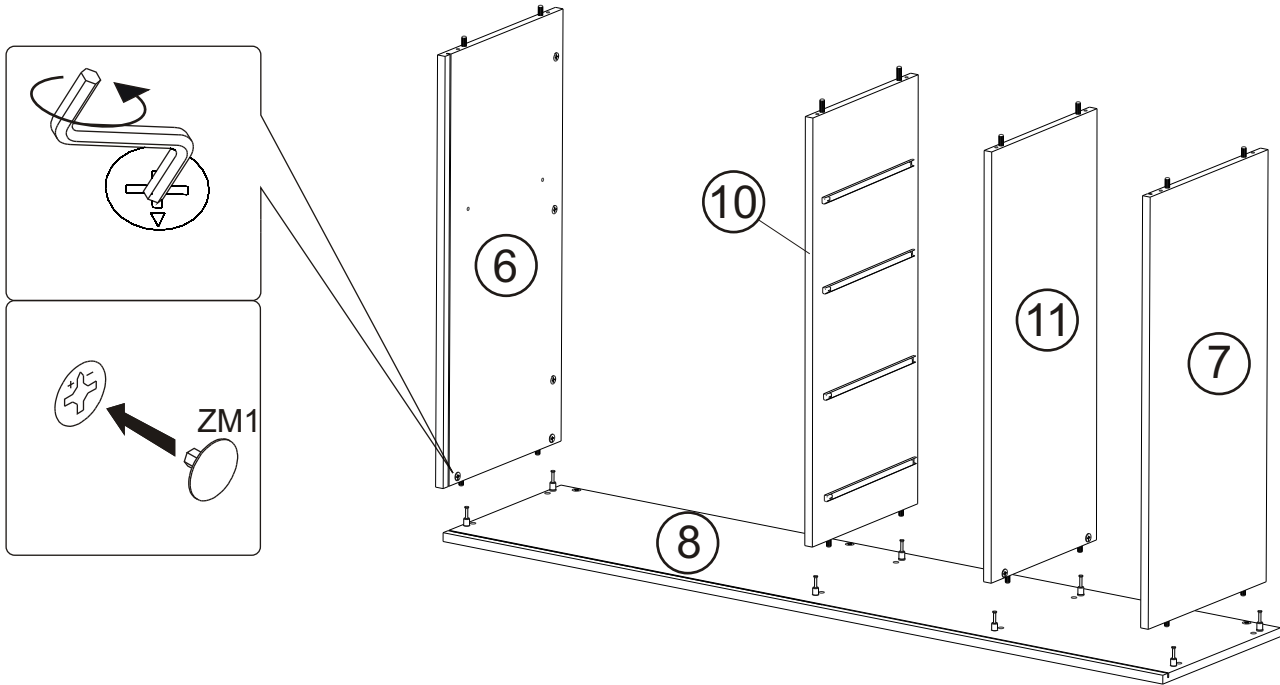
| | | | | | | | |
|------|----|-----|----|------|----|-----|----|
| | x2 | | x8 | | x2 | | x4 |
| PKU4 | x2 | ME1 | x8 | ZM1A | x2 | KD1 | x4 |



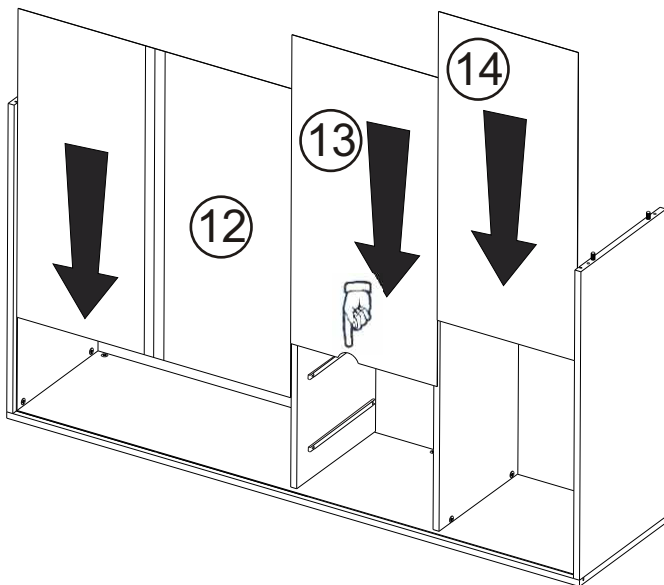
15



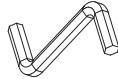

| | | | |
|---|----|---|----|
|  | x1 |  | x8 |
| KK1 | x1 | ZM1 | x8 |

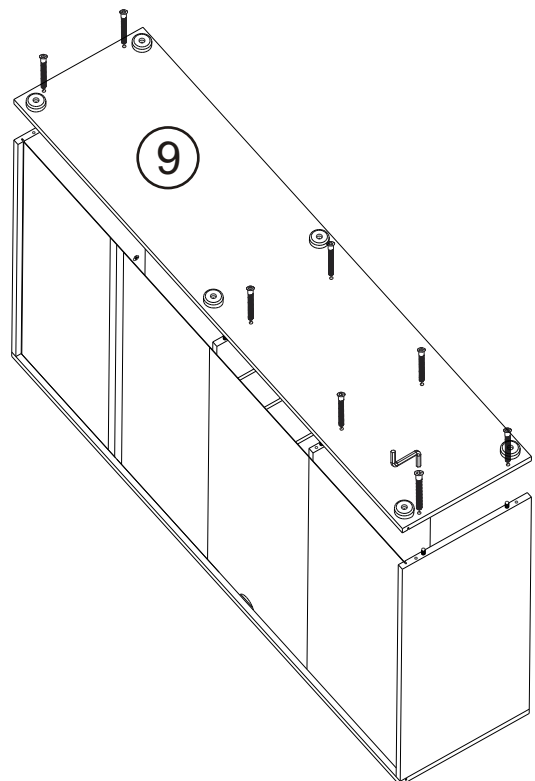


16

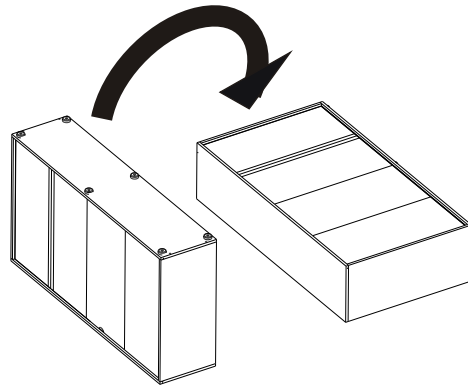
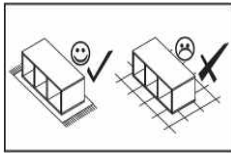


17

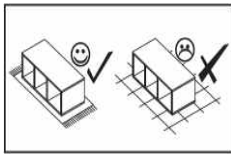
| | | | |
|---|----|---|----|
|  | x1 |  | x8 |
| KK1 | x1 | K1 | x8 |



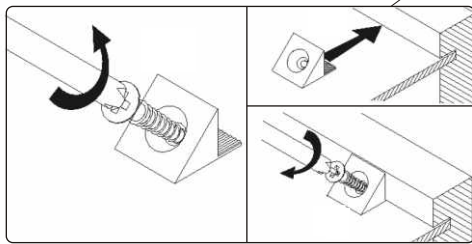
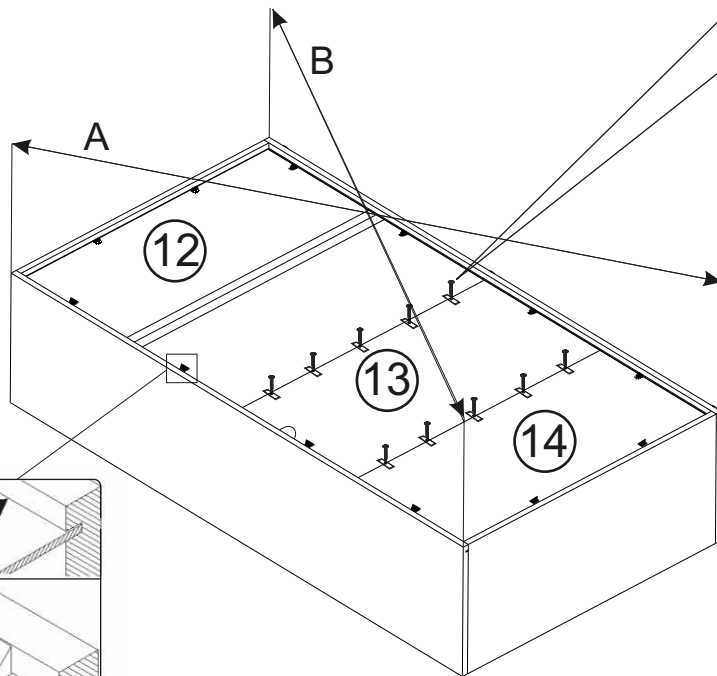
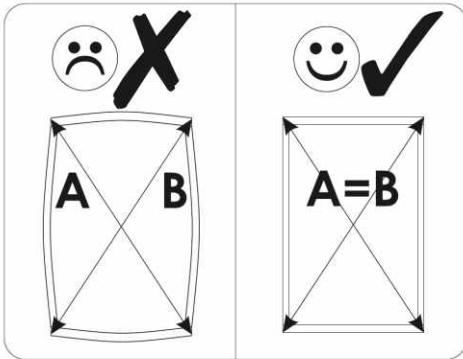
18



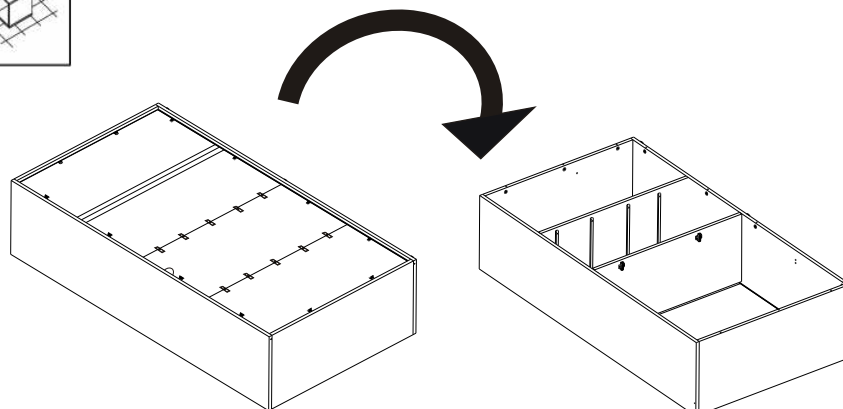
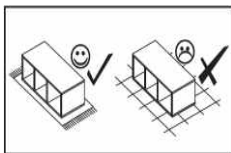
19



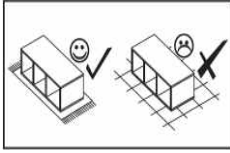
| | | |
|-----|-----|------|
| | | |
| PL1 | x10 | S1 |
| | | x12 |
| | | W1 |
| | | 3x16 |
| | | x10 |



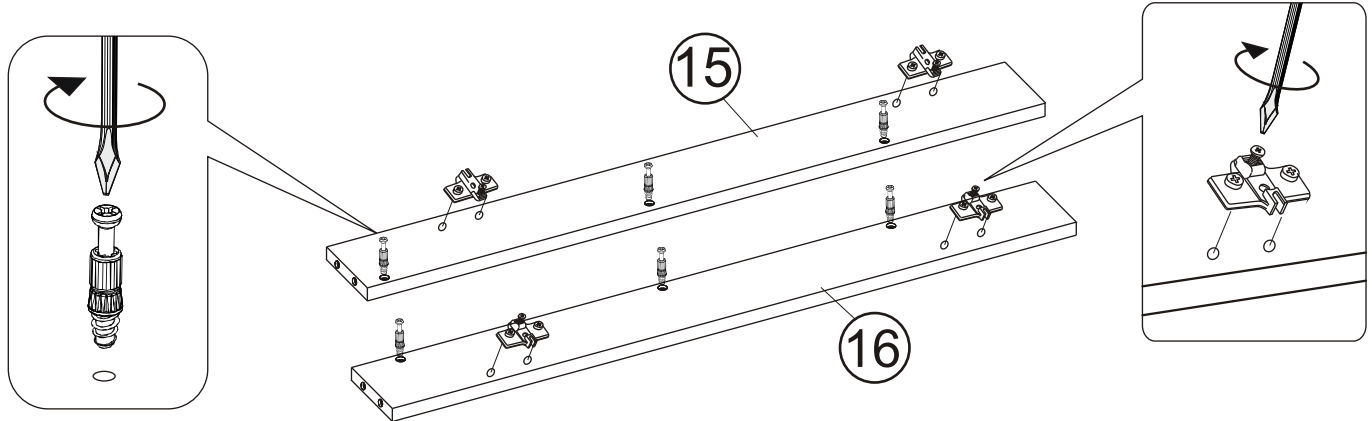
20



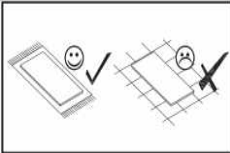
21



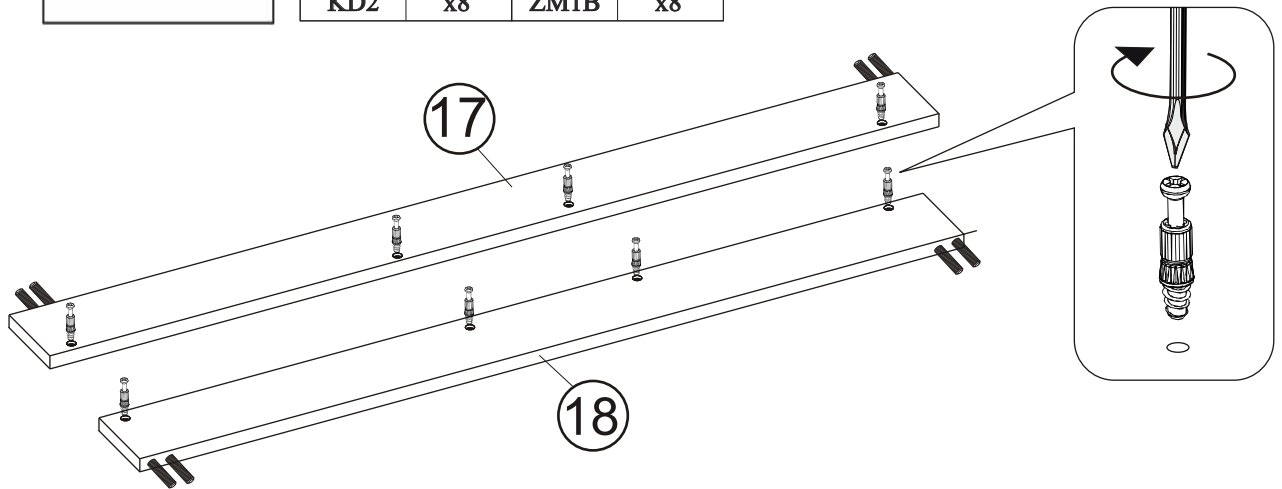
| | | | |
|------|----|-----|----|
| | | | |
| ZM1B | x6 | ZDR | x4 |



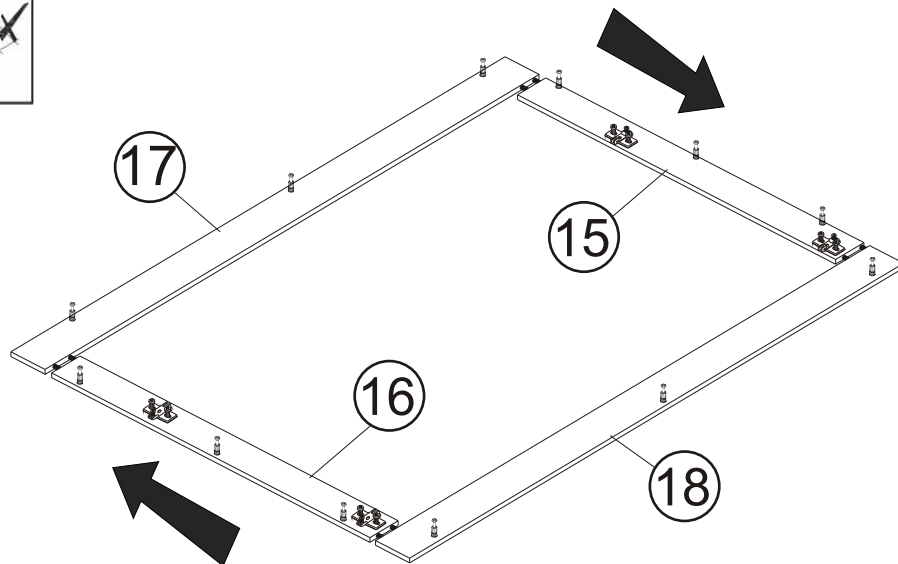
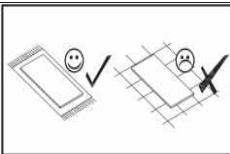
22



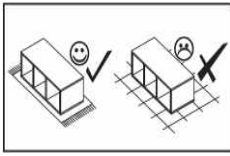
| | | | |
|-----|----|------|----|
| | | | |
| KD2 | x8 | ZM1B | x8 |

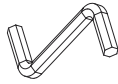
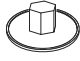


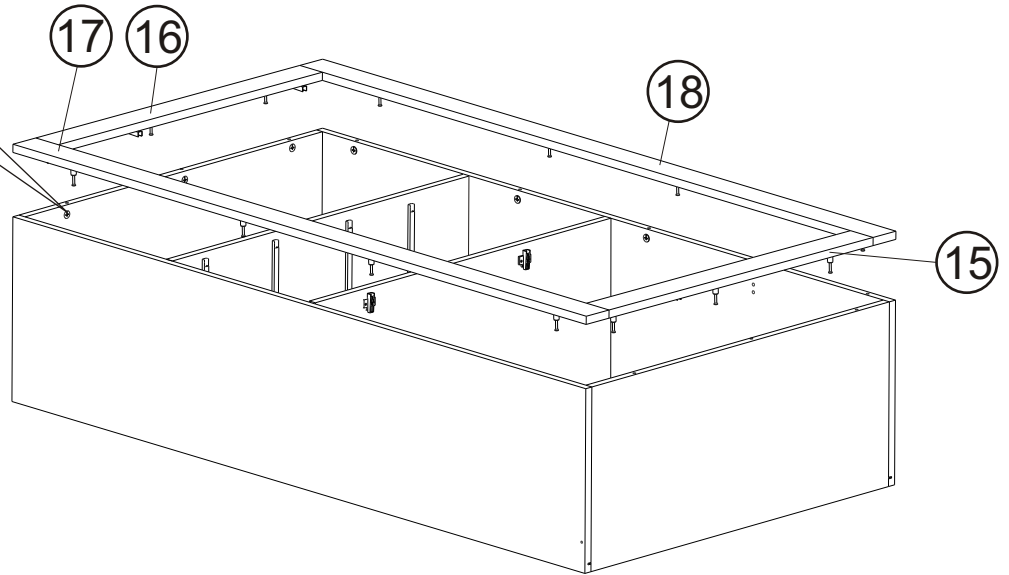
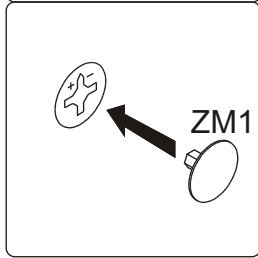
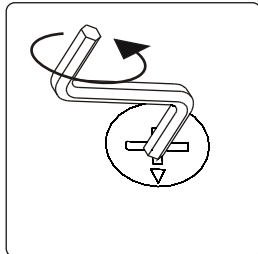
23



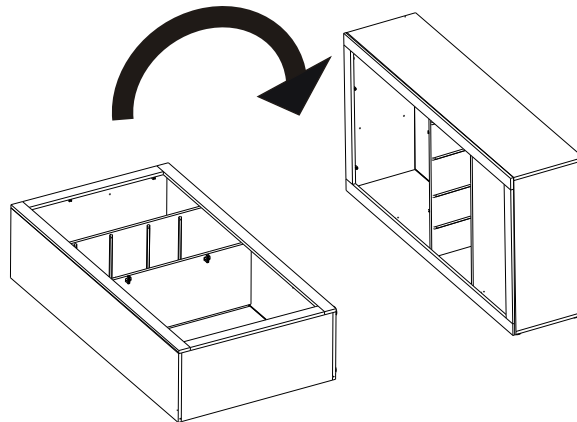
24




| | | | |
|---|----|---|-----|
|  | |  | |
| KK1 | x1 | ZM1 | x14 |

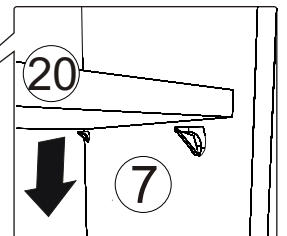
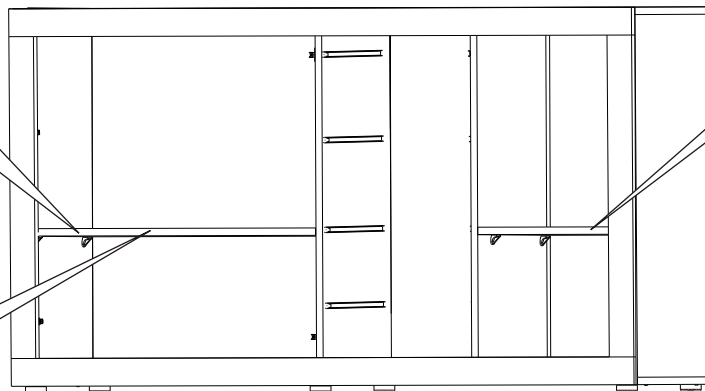
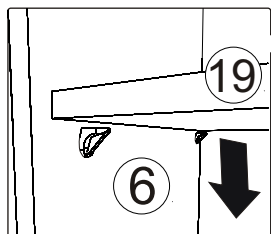
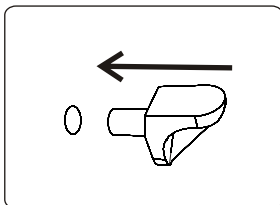


25

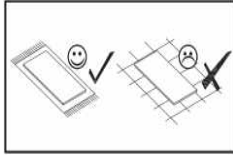


26

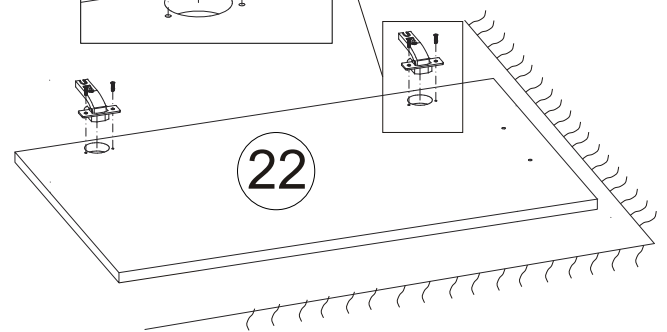
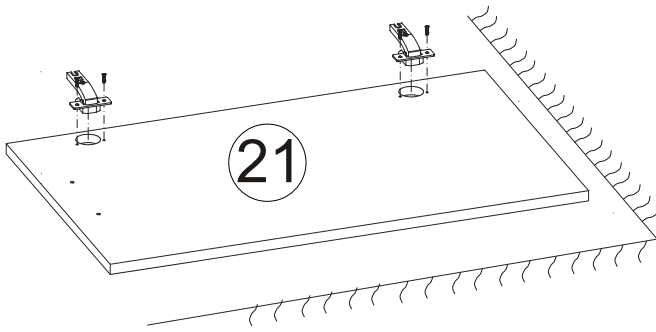
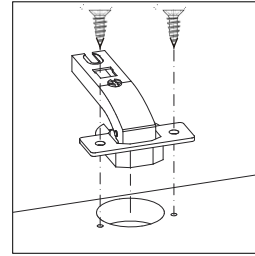
| | |
|---|----|
|  | |
| PP | x8 |



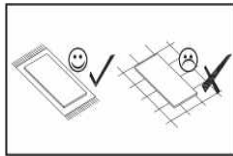
27



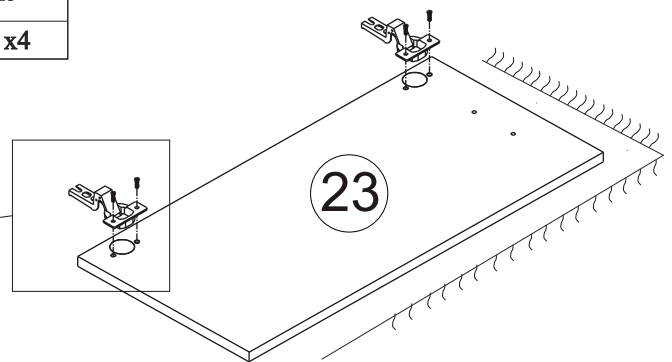
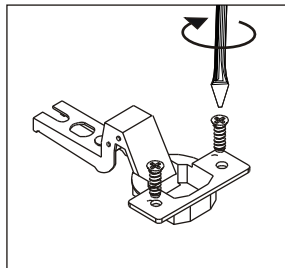
| | | | |
|------|----|------|----|
| | | 4x13 | |
| ZDR1 | x4 | W4 | x8 |



28

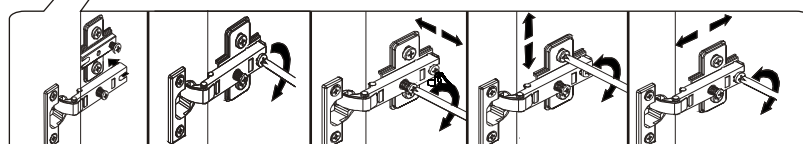
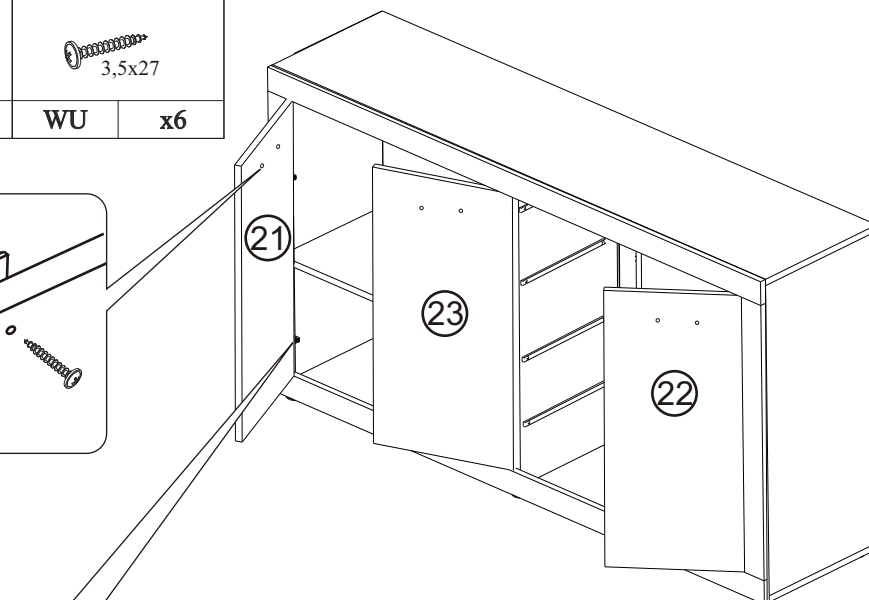
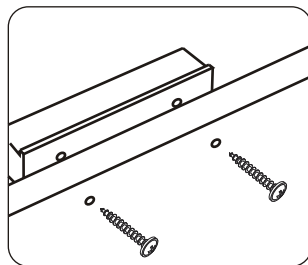


| | | | |
|------|----|------|----|
| | | 4x13 | |
| ZMP2 | x2 | W4 | x4 |


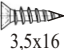



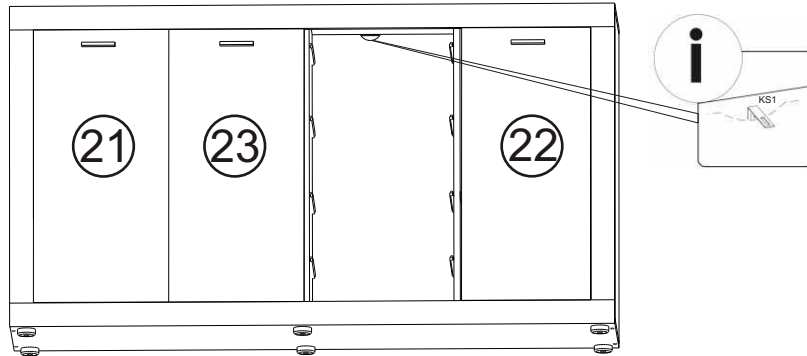
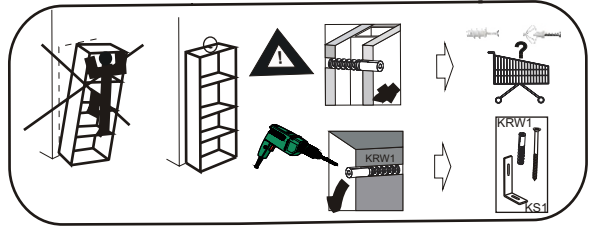
29

| | | | |
|-----|----|--------|----|
| | | 3,5x27 | |
| U75 | x3 | WU | x6 |

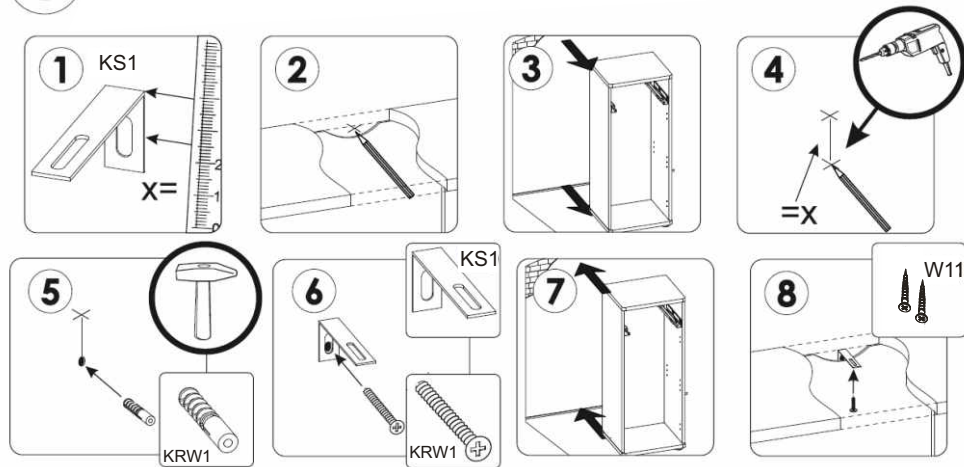


30

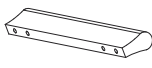
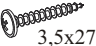

| | | | | | |
|---|----|---|----|---|----|
|  | |  | |  | |
| KS1 | x1 | W11 | x2 | KRW1 | x1 |



i



31

| | | | | | |
|---|----|---|----|---|----|
|  | |  | |  | |
| U75 | x4 | WU | x8 | SR4 | x8 |

