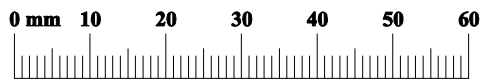
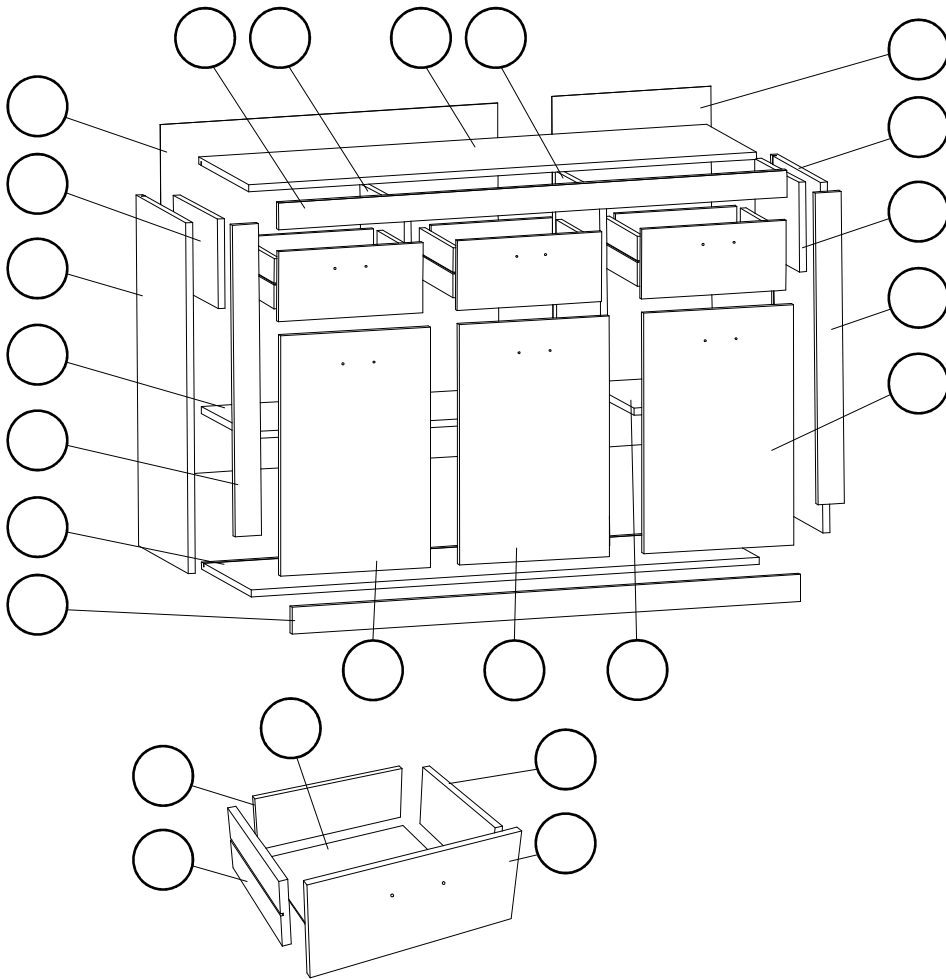


,%,\$.2002'



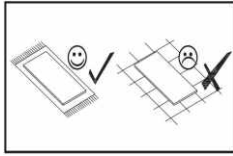
1/2	4	16x310x110	x3
	3	16x310x110	x3
	9	16x350x1170	x1
	8	16x350x1170	x1
	5	3x307x317	x3
	19	16x1171x60	x1
	18	16x1171x60	x1
	16	16x60x759	x1
	17	16x60x759	x1
	14	3x864x751	x1
	15	3x402x864	x1
20	16x331x735	x1	
21	16x331x385	x1	

2/2	6	16x350x848	x1
	7	16x350x848	x1
	22	16x346x600	x1
	23	16x346x600	x1
	2	16x346x150	x3
	13	16x331x848	x1
	11	16x331x200	x1
	12	16x331x200	x1
	10	16x331x200	x1
	5	16x293x94	x3
	24	16x346x600	x1

ZM1B x30	ZM1A x30	ZM1 x26	KS1 x1	W11 x2	KRW1 x1
KD1 x30	KD2 x8	KSK1 x1	ZDR x4	ZDR1 x4	W4 x12
KK1 x1	K1 x12	S1 x13	ZMP x2	ZMP2 x2	PP x8
U75 x6	WU x12	SR4 x6	PKU4 x3	ME1 x12	
SS3 x4	W6 x4	PL1 x7	W1 x20		

,%,\$.2002'

01



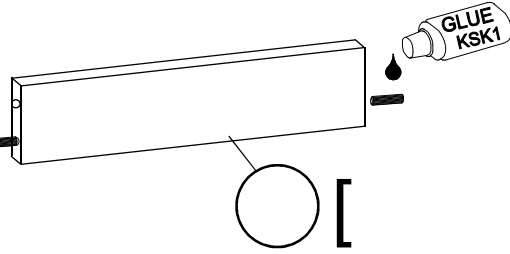
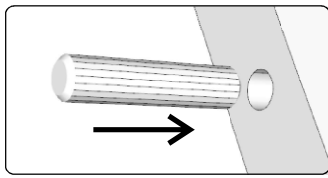
KD1

x6

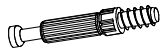
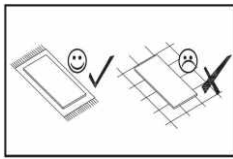


KSK1

x1

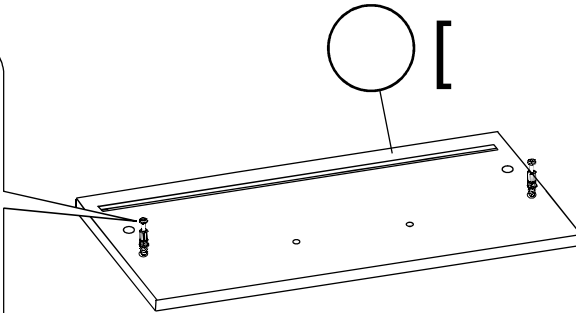
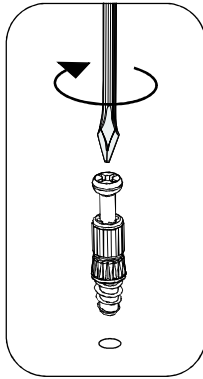


02

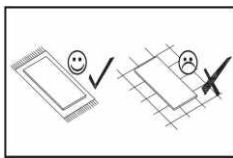


ZM1B

x6



03



KD1

x6



KSK1

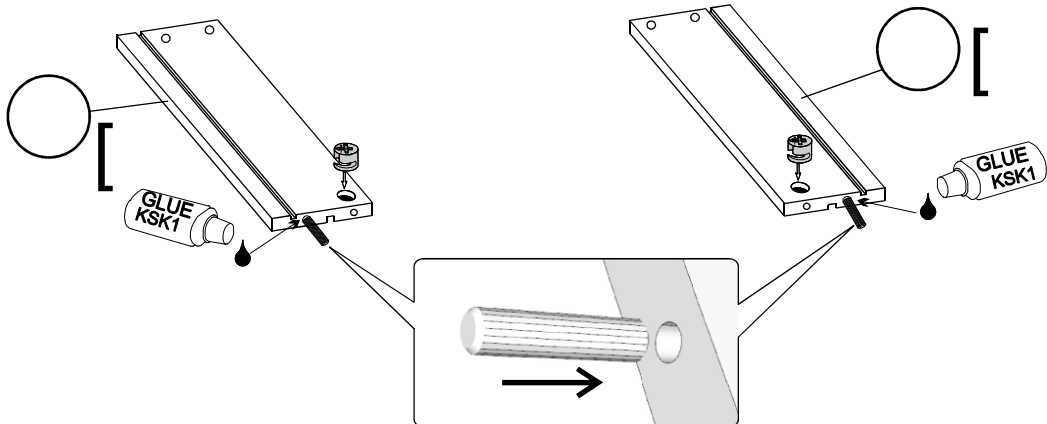
x1



15x12,5

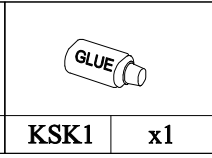
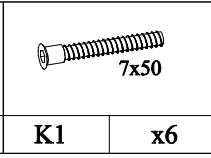
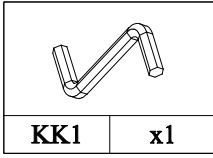
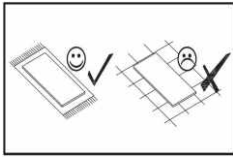
ZM1A

x6



,%,\$.2002'()

04



KK1

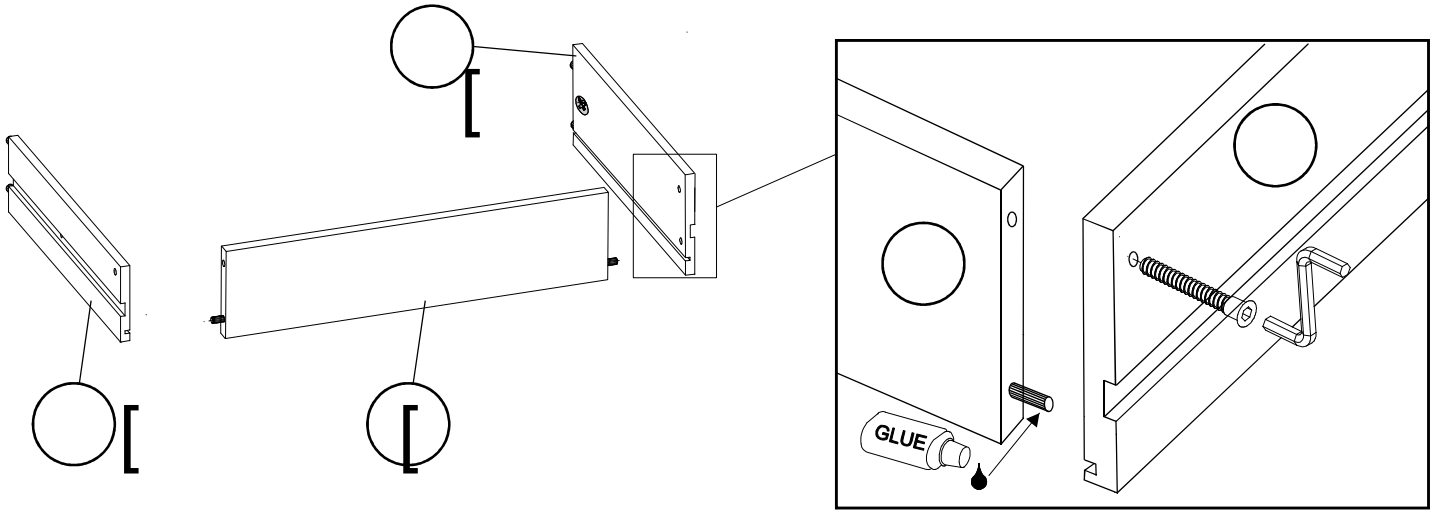
x1

K1

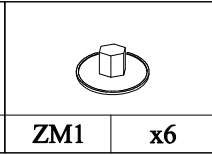
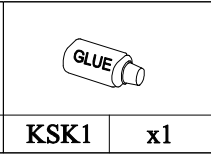
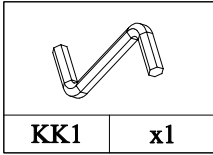
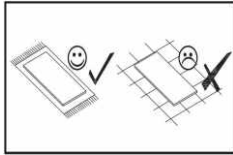
x6

KSK1

x1



05



KK1

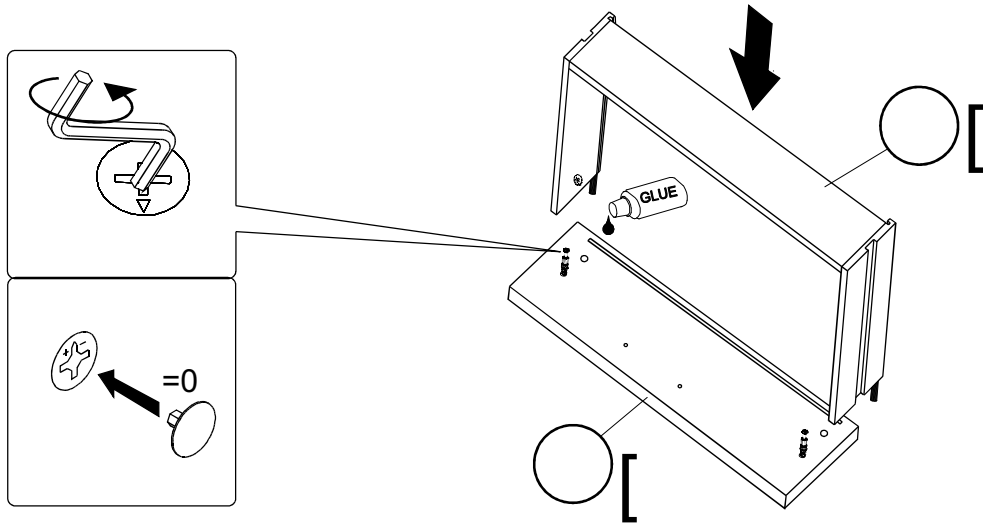
x1

KSK1

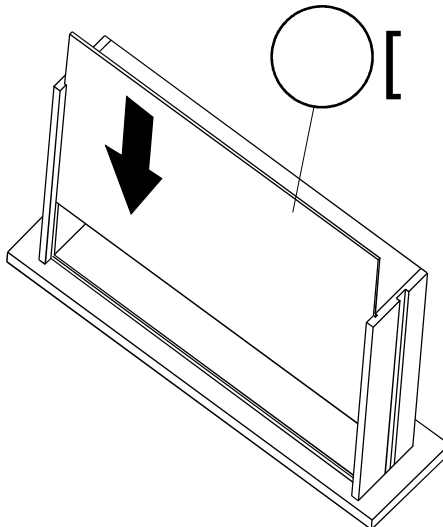
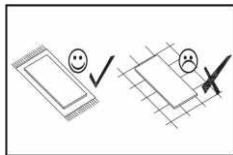
x1

ZM1

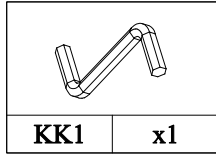
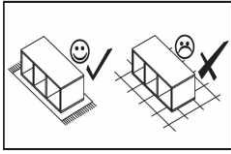
x6



06

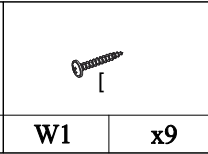


07



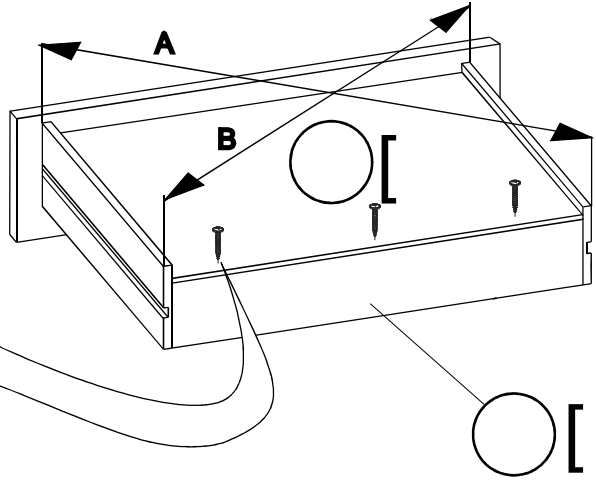
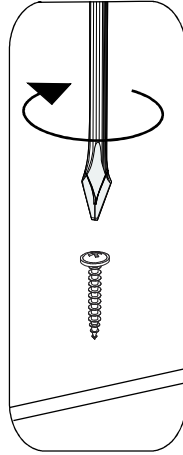
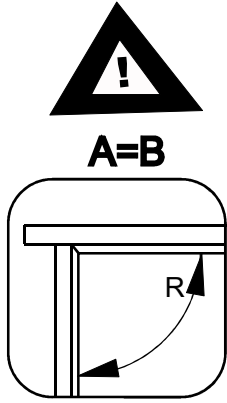
KK1

x1

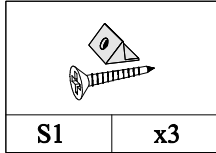
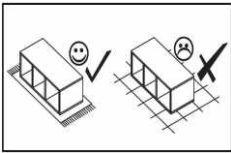


W1

x9

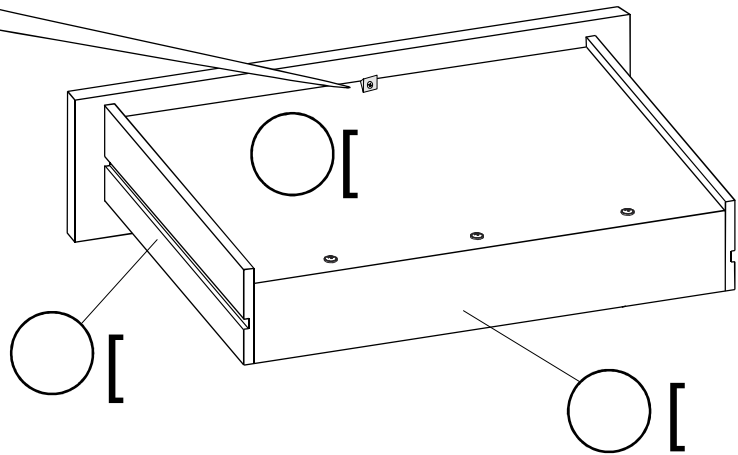
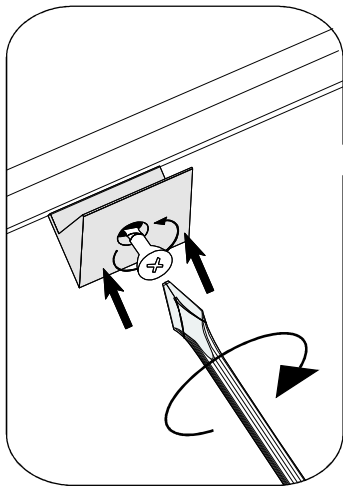


08



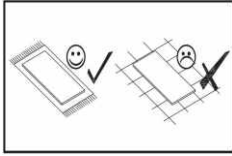
S1

x3



,%,\$.2002'

09



15x12,5

ZM1A

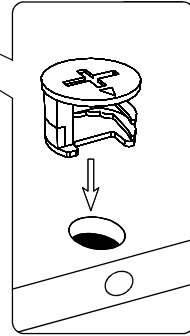
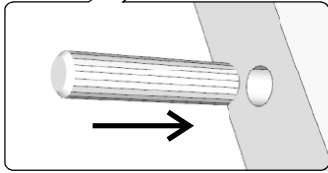
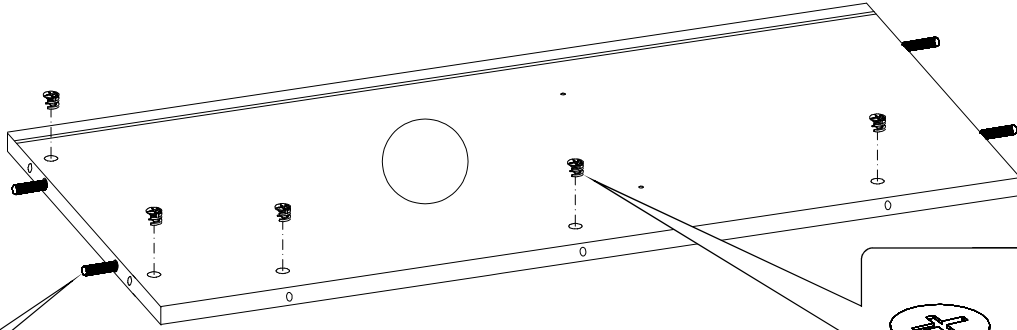
x5



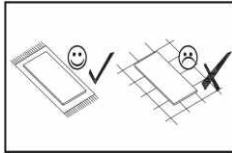
8x35

KD1

x4



10



15x12,5

ZM1A

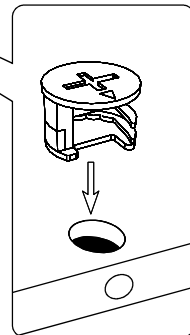
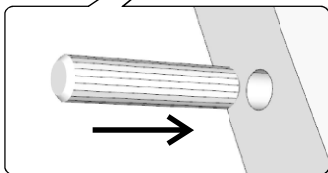
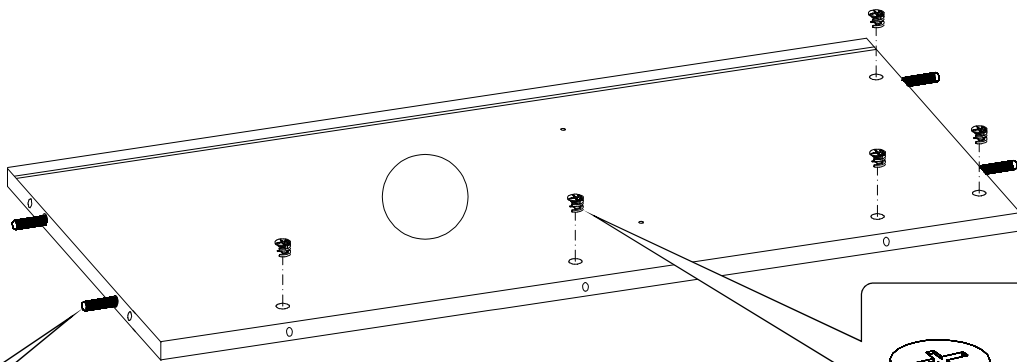
x5



8x35

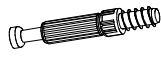
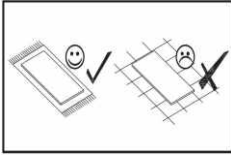
KD1

x4



,%,\$.2002'

11



ZM1B

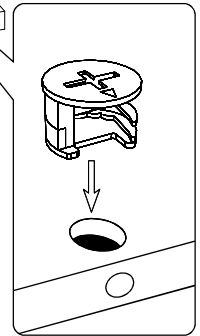
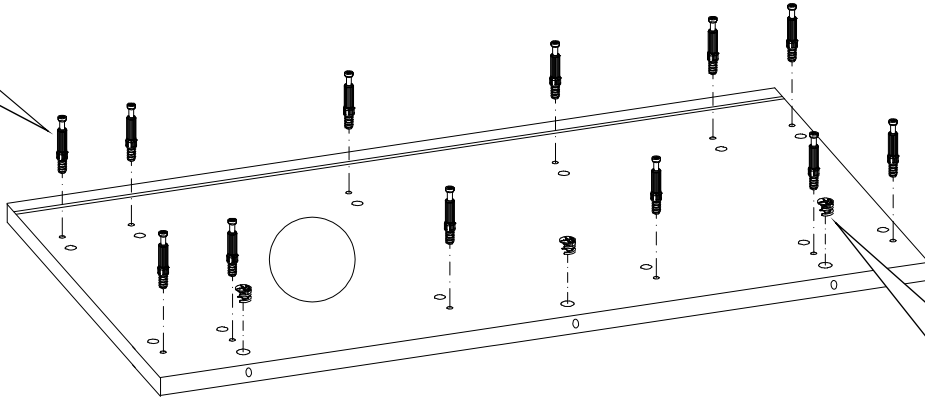
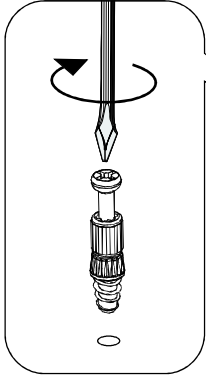
x12



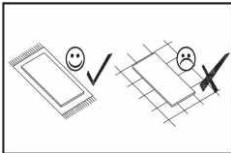
15x12,5

ZM1A

x3



12



15x12,5

ZM1A

x3



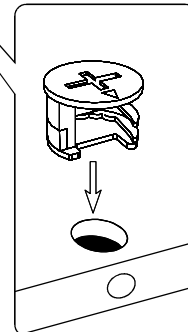
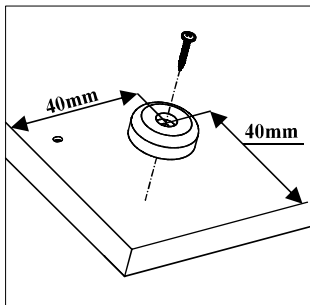
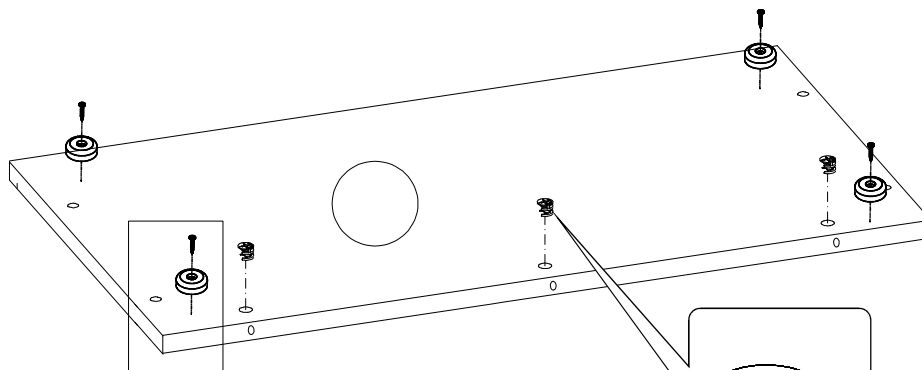
SS3

x4

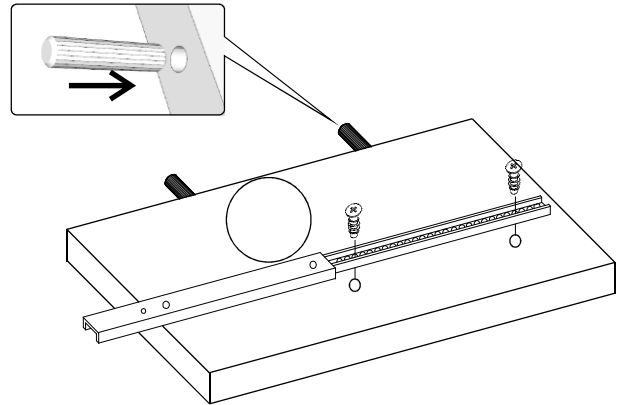
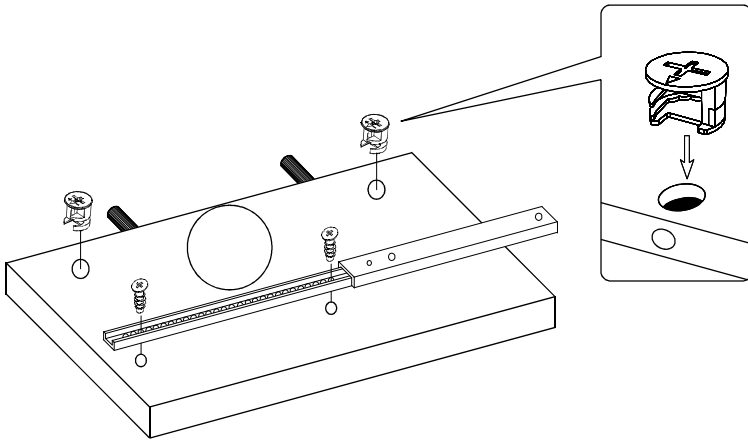
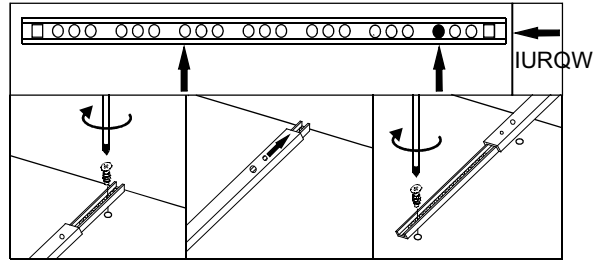
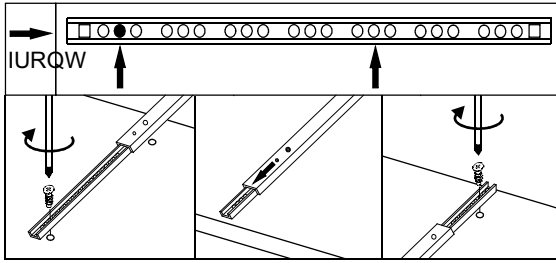
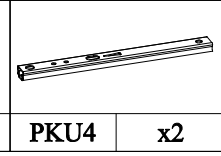
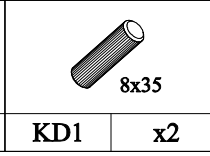
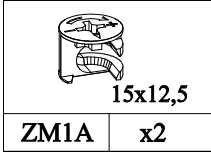
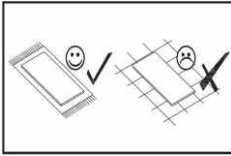


W6

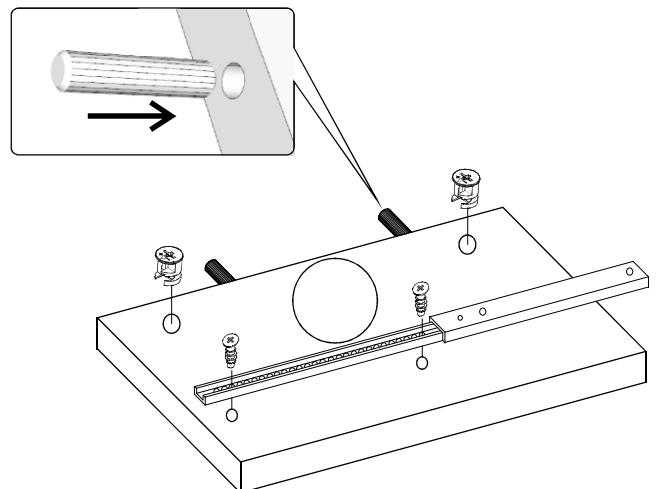
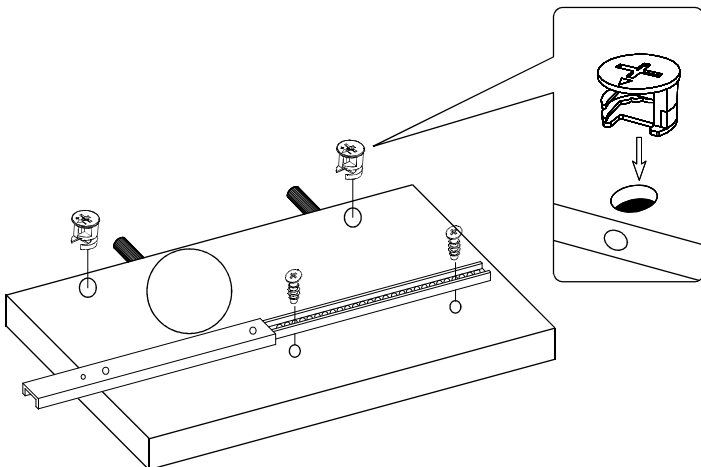
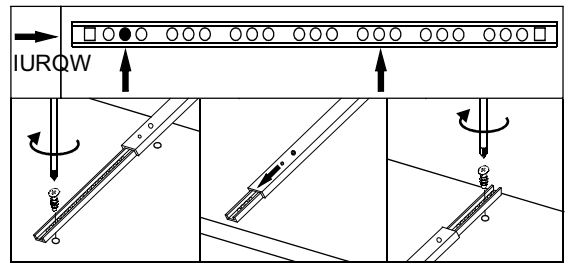
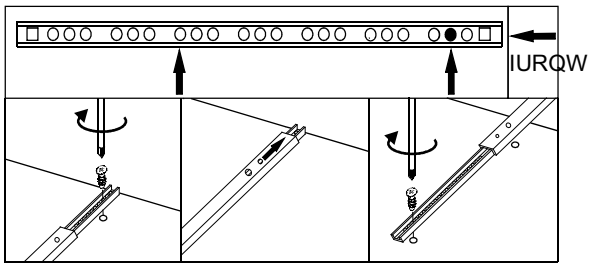
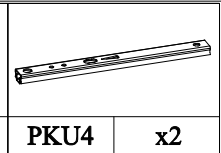
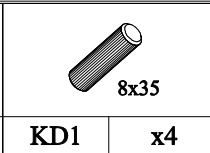
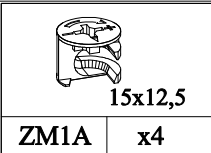
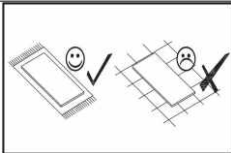
x4



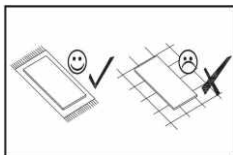
13



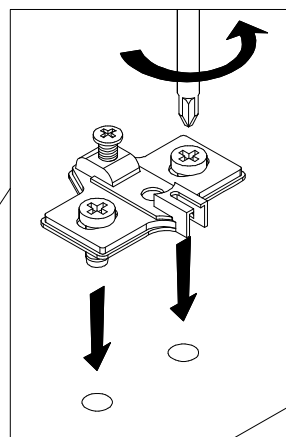
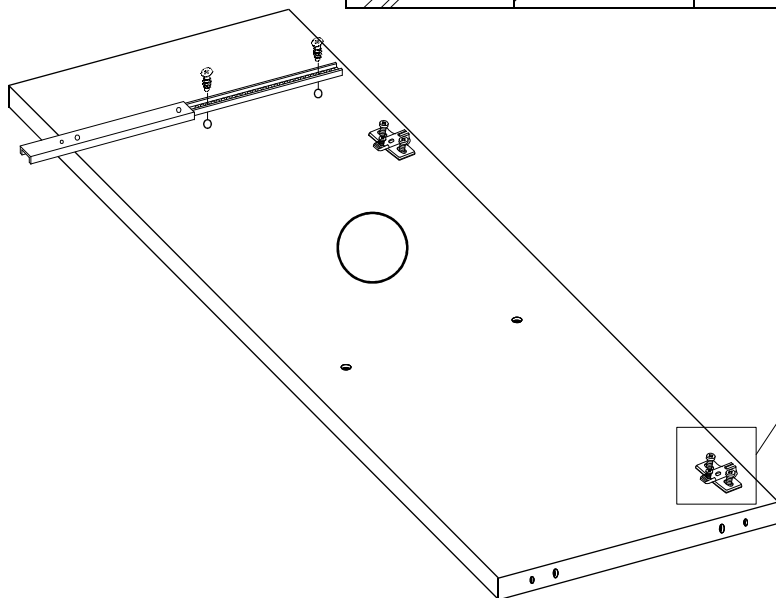
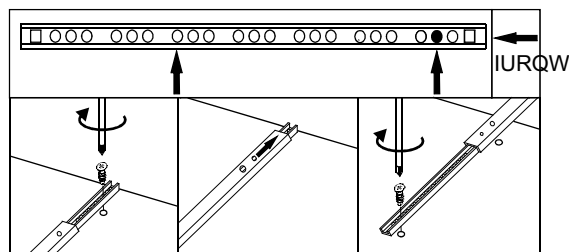
14



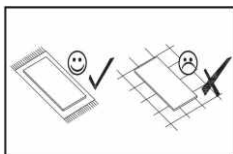
15







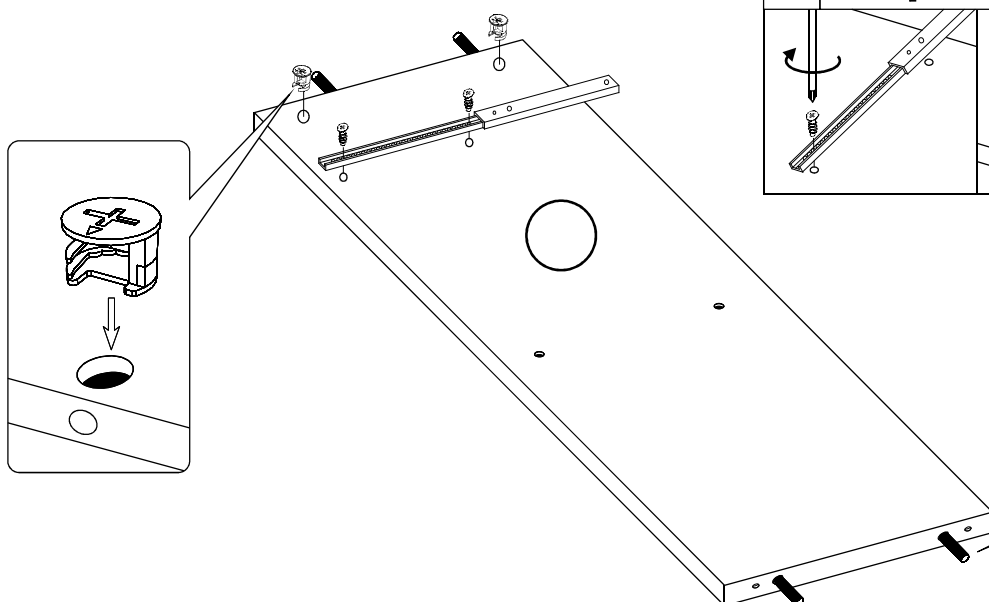
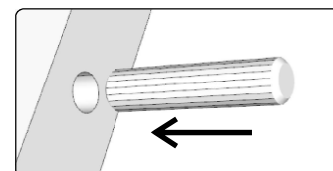
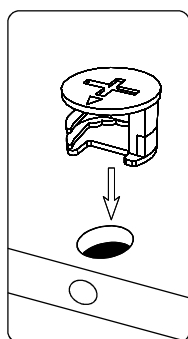
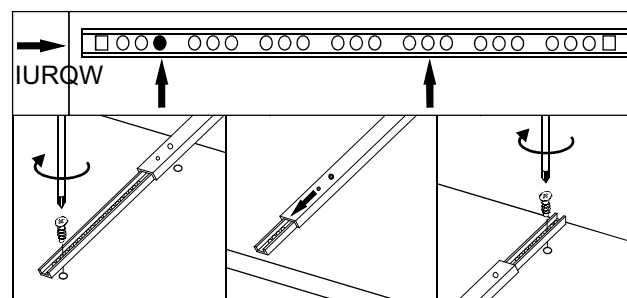
					
PKU4	x1	ME1	x2	ZMP	x2



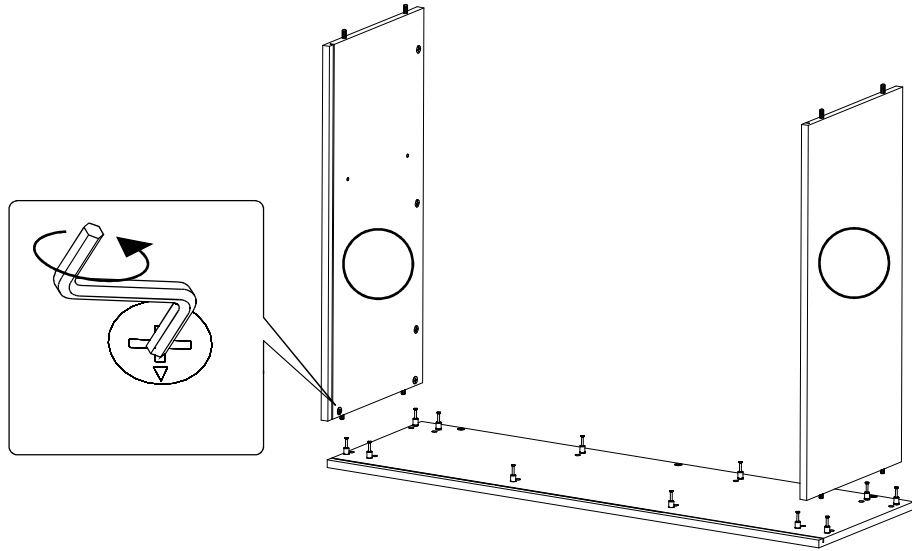
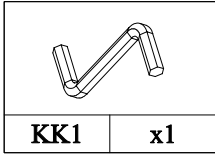
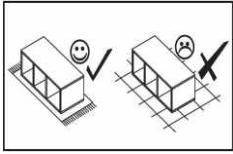
16



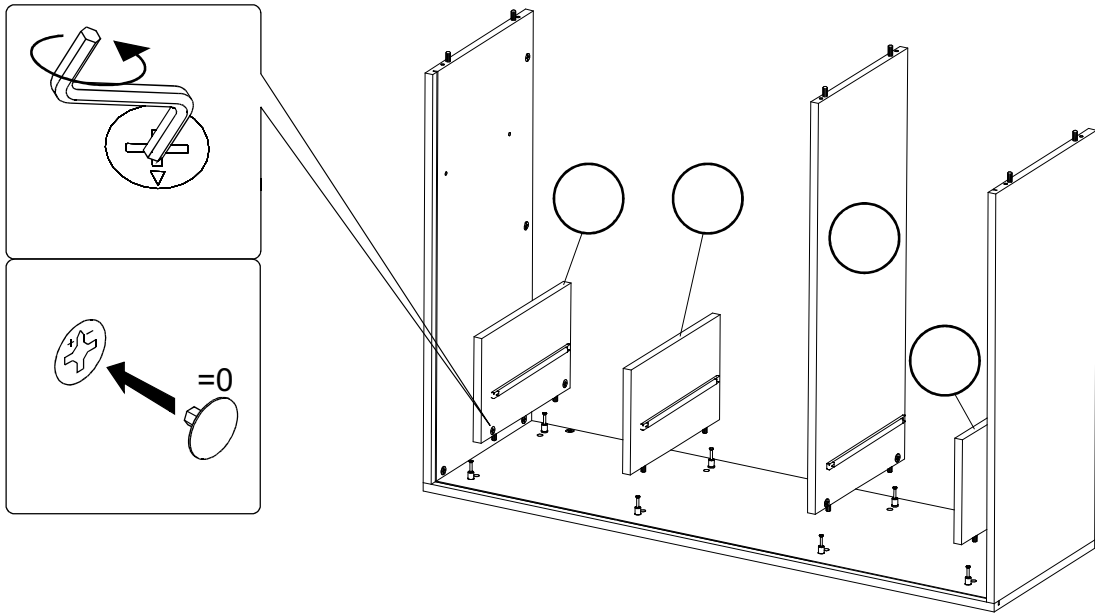
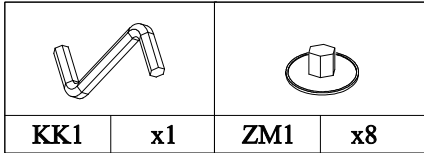
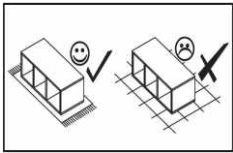
							
ZM1A	x2	PKU4	x1	ME1	x2	KD1	x4



17

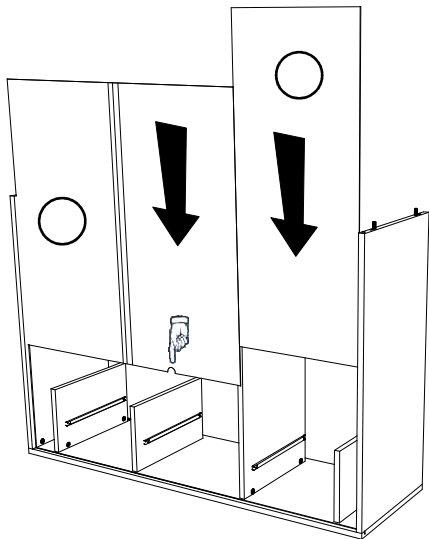


18

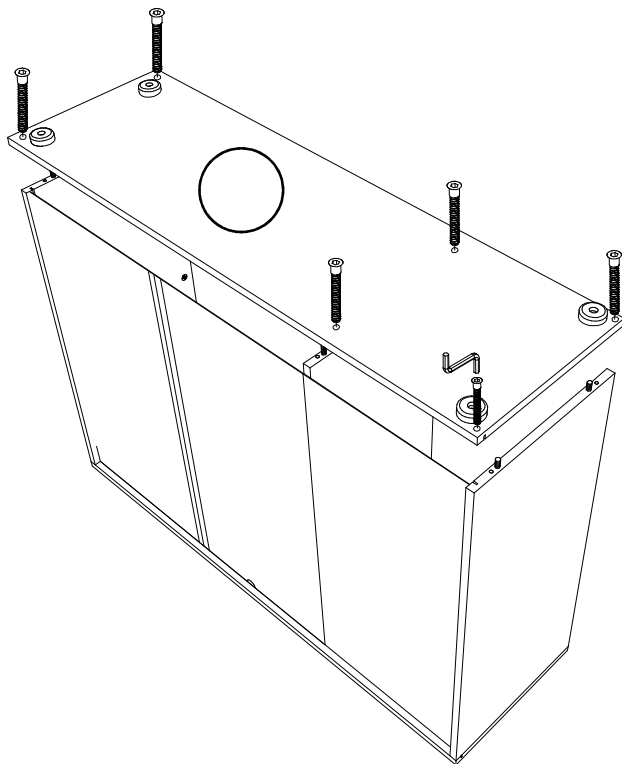
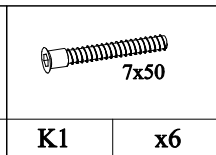
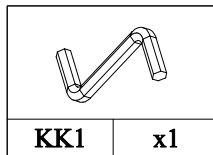
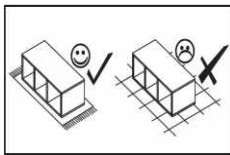


,%,\$.2002'()

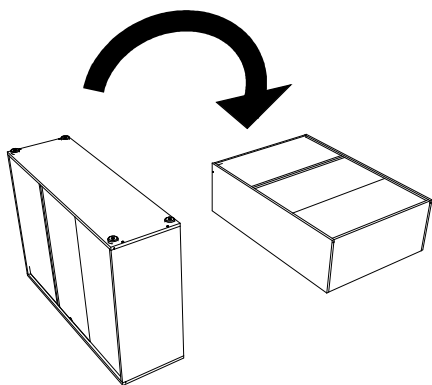
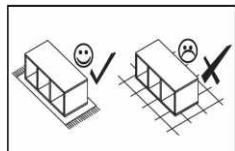
19



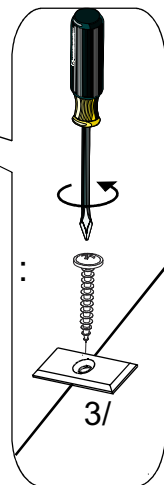
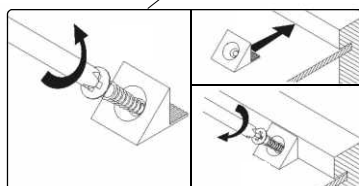
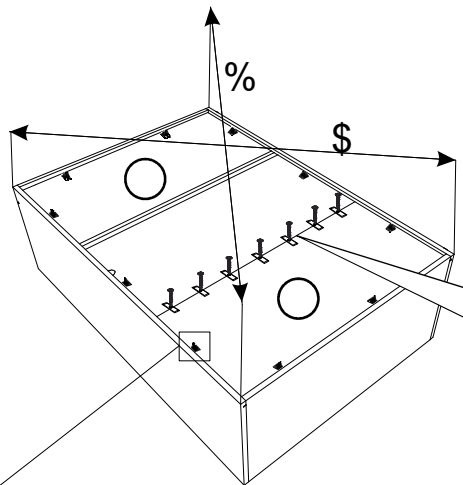
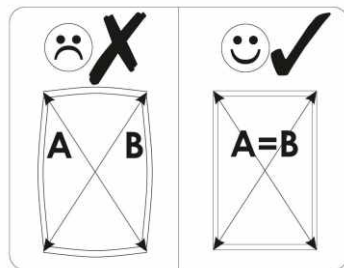
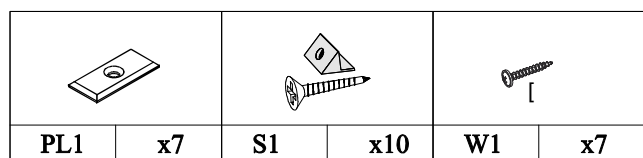
20



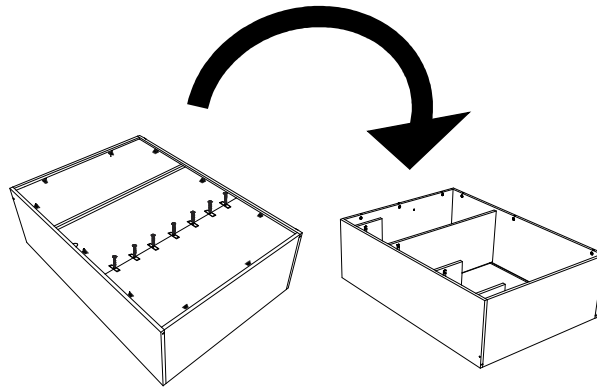
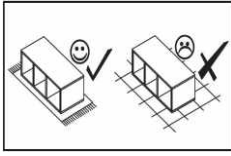
21



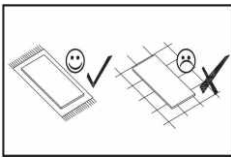
22

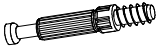
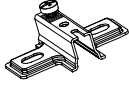


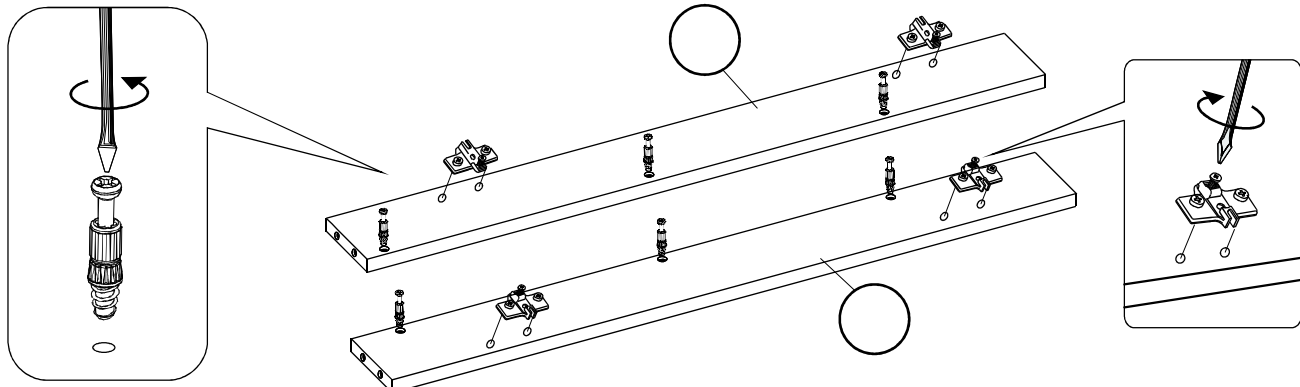
23



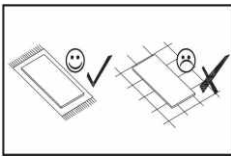
24


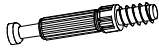


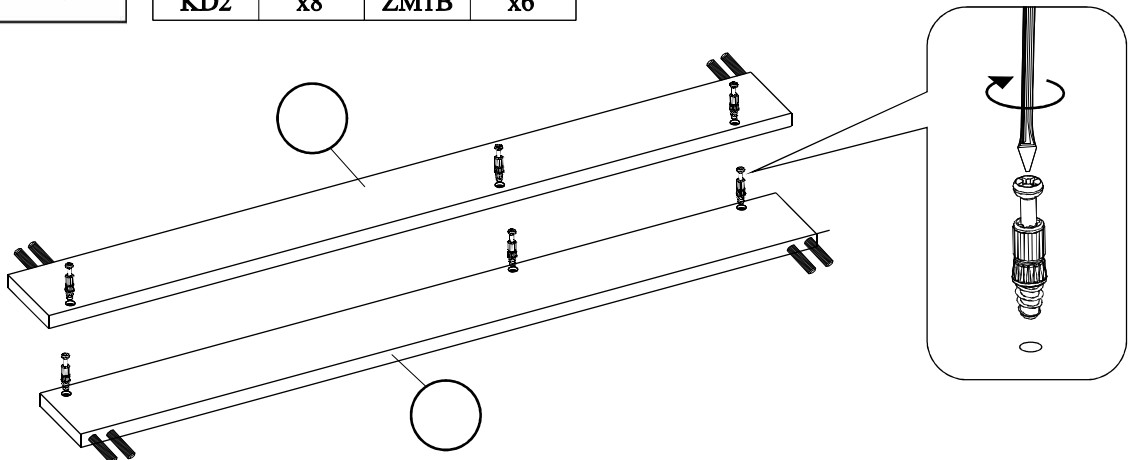
			
ZM1B	x6	ZDR	x4



25

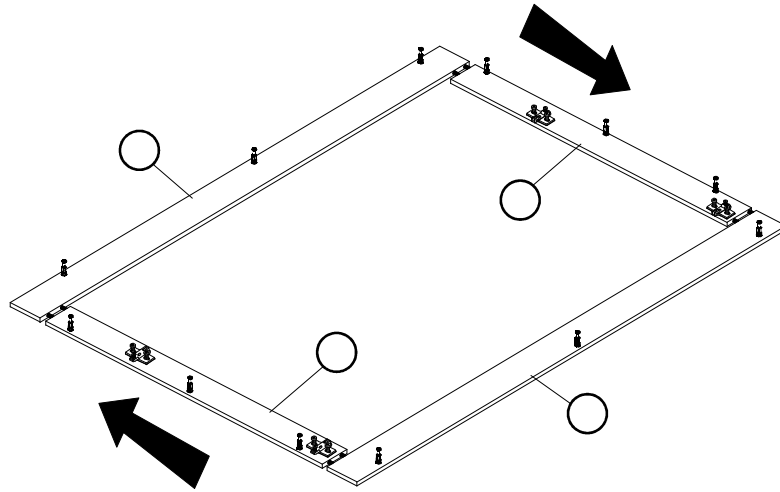
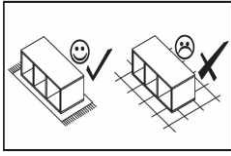


			
KD2	x8	ZM1B	x6

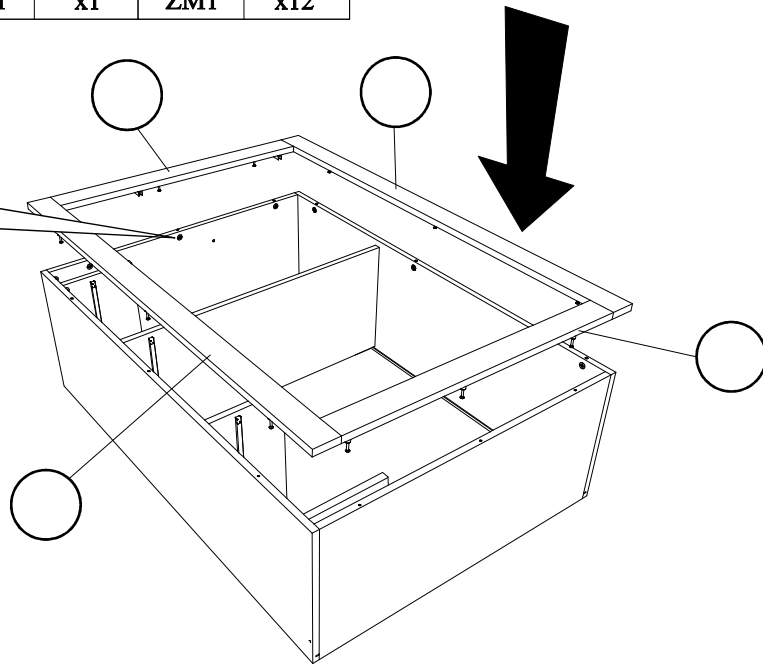
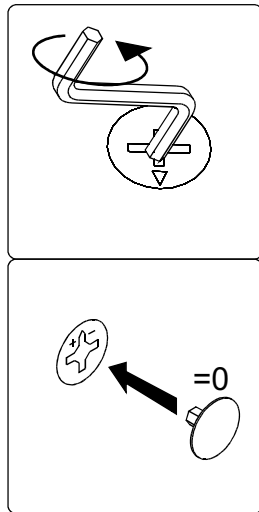
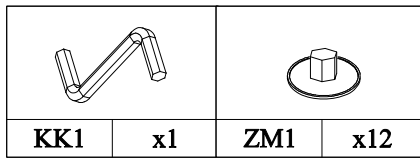
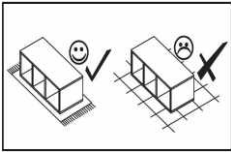


,%,\$.2002'

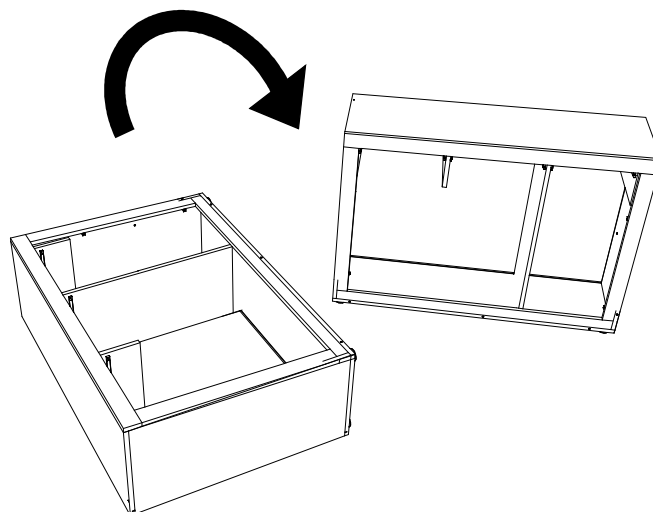
26



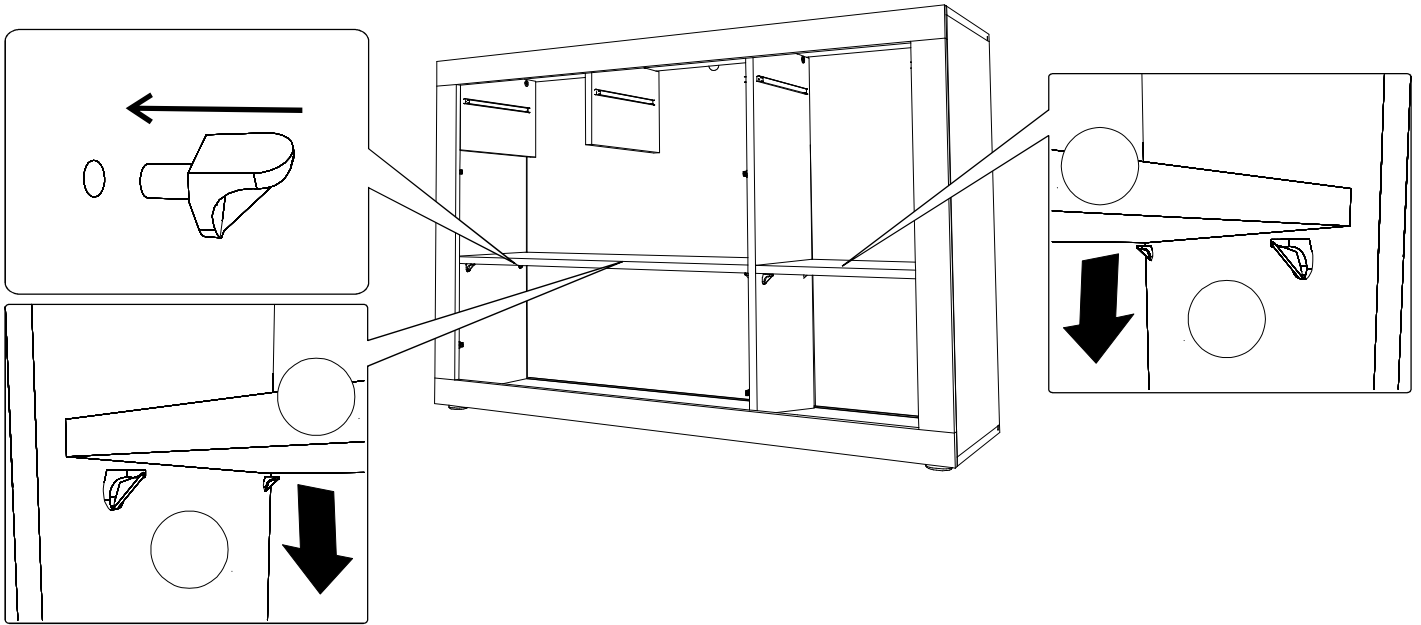
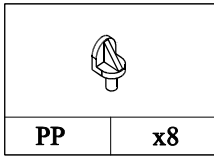
27



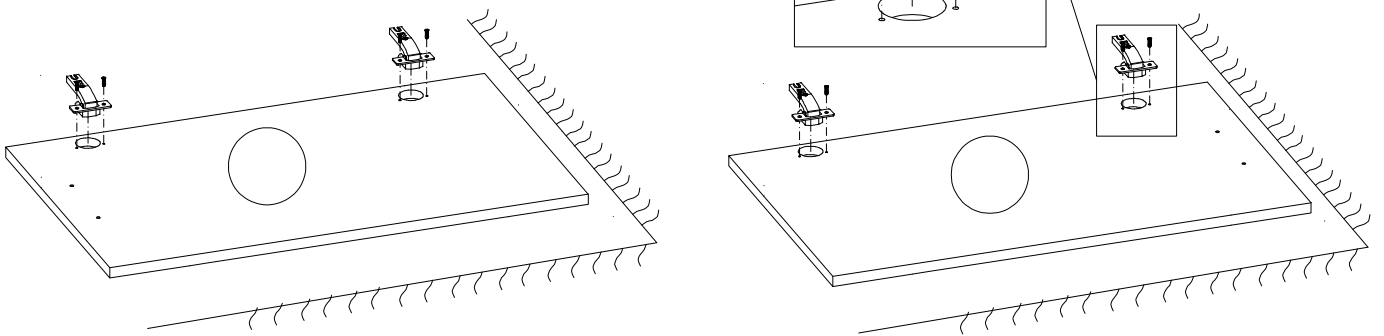
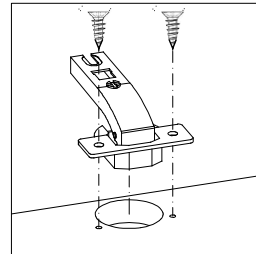
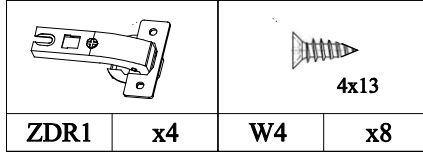
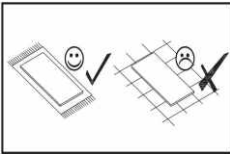
28



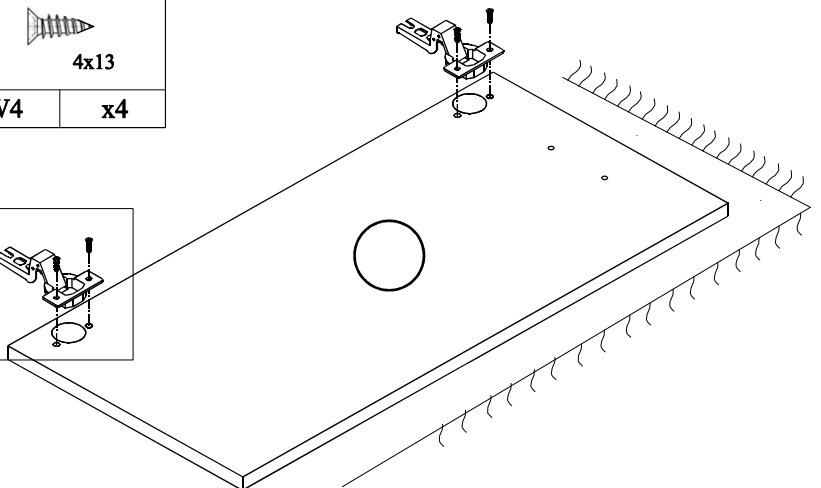
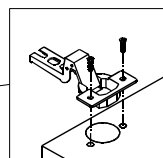
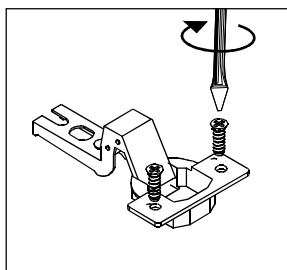
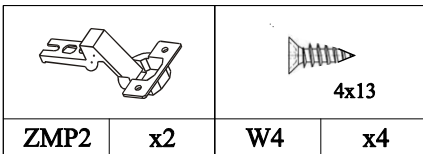
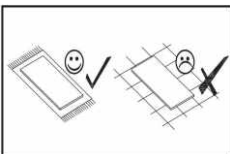
29



30

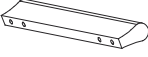



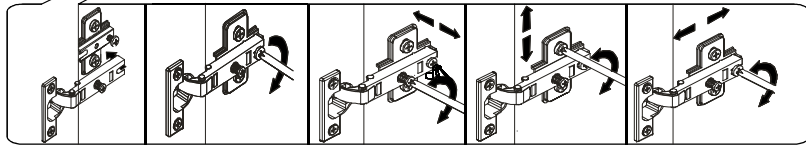
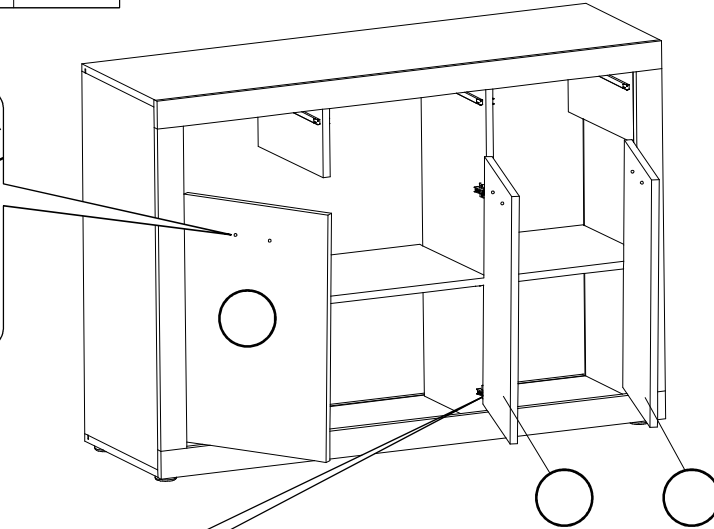
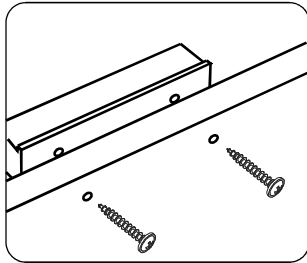
31




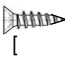

,%,\$.2002'()

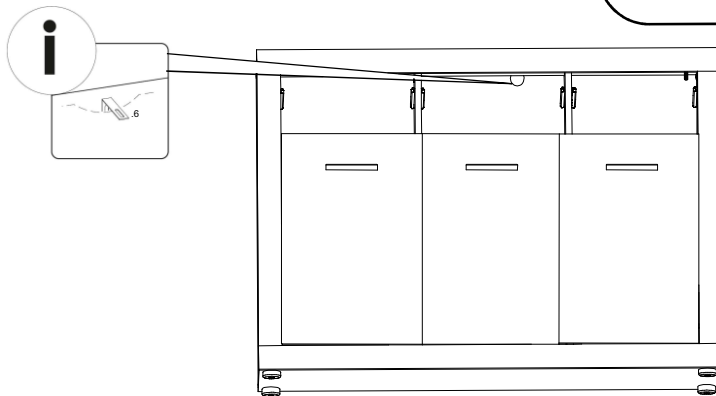
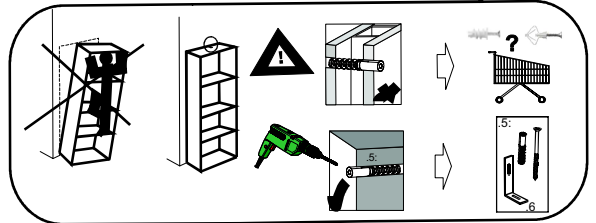
32

			
U75	x3	WU	x6

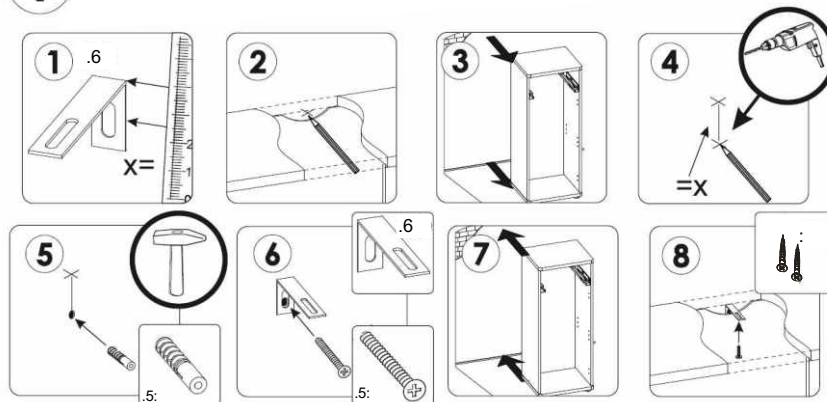


33

					
KS1	x1	W11	x2	KRW1	x1

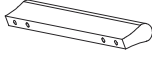




i



,%,\$.2002'

34

					
U75	x3	WU	x6	SR4	x6

