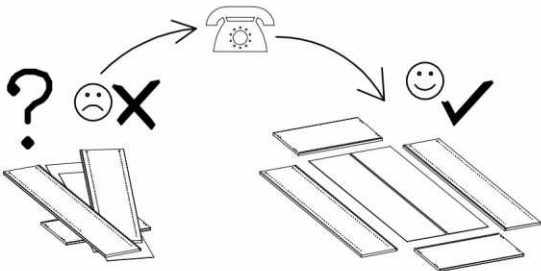
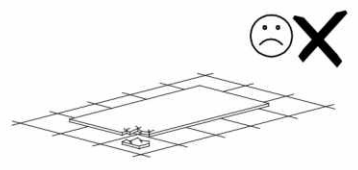
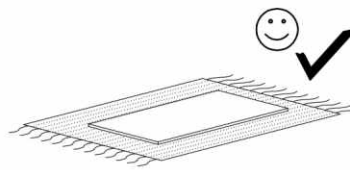
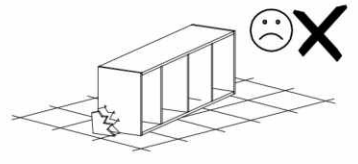
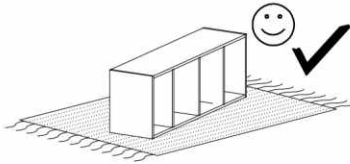
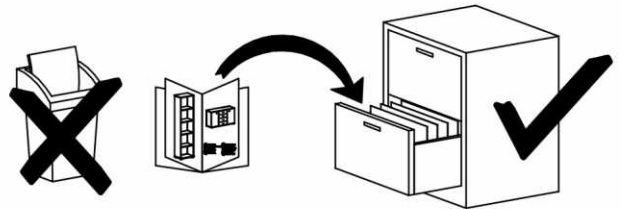
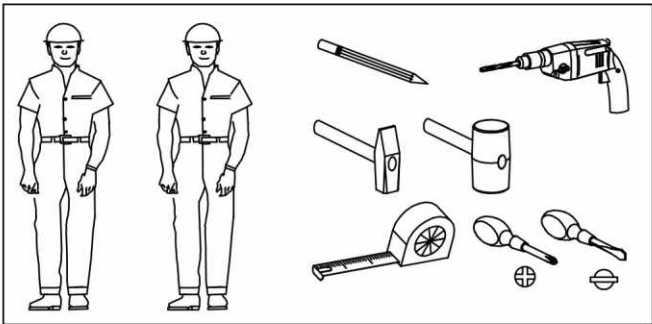
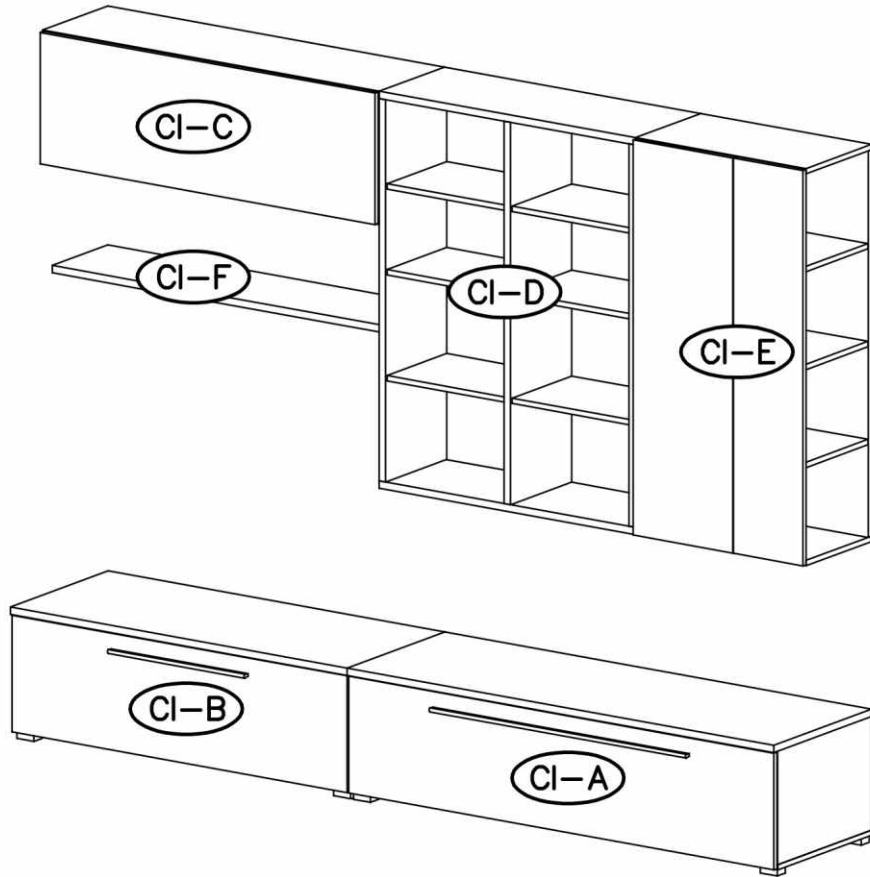
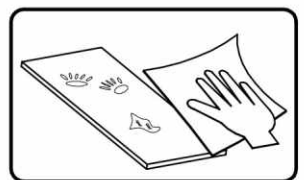
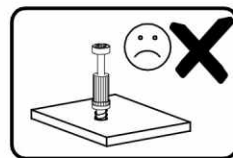
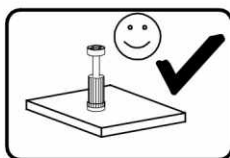
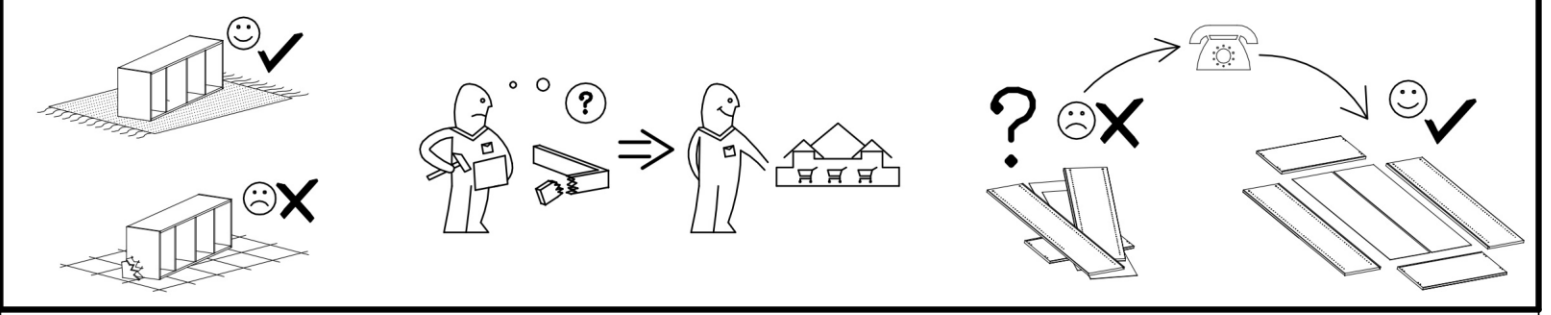


# GIJON

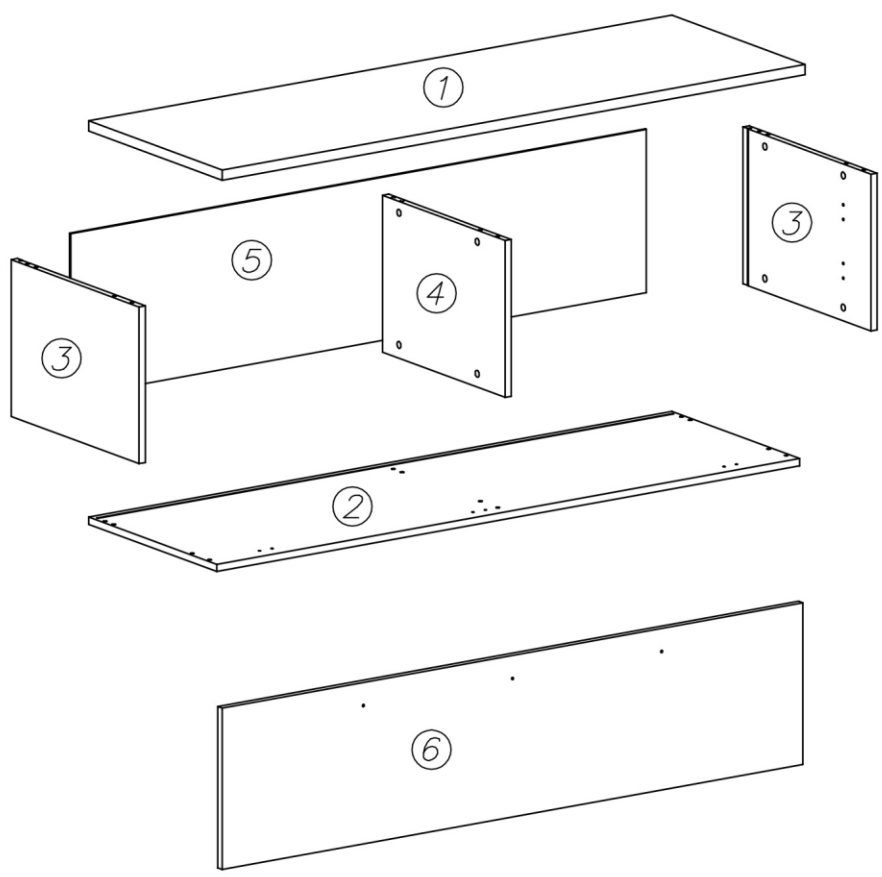



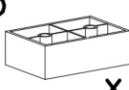

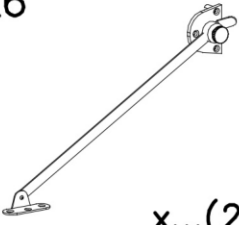



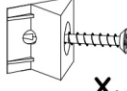

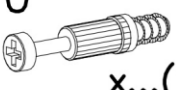

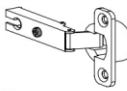
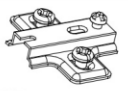

3,5h





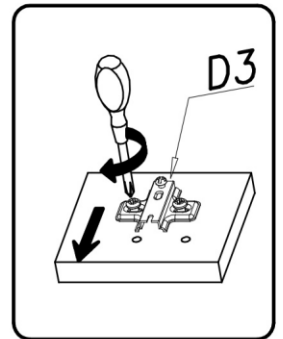
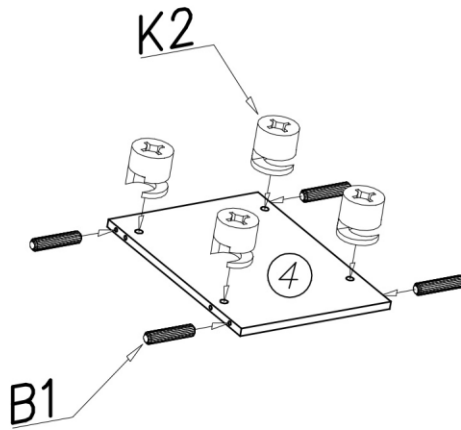
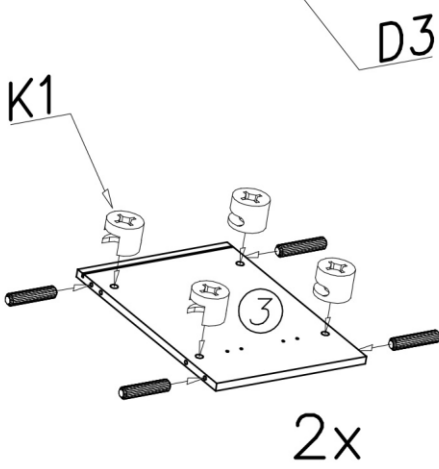
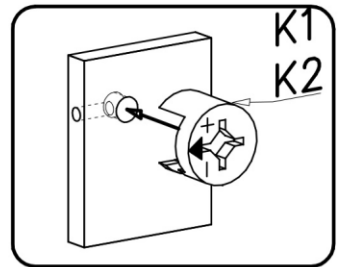
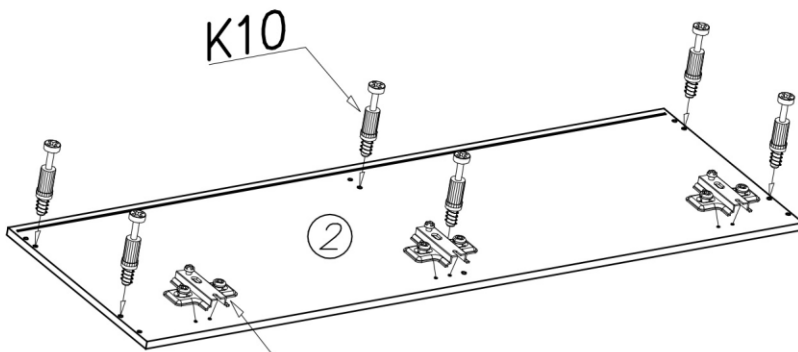
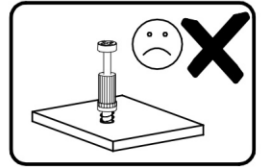
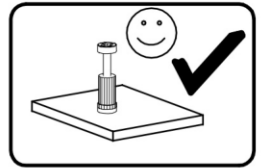
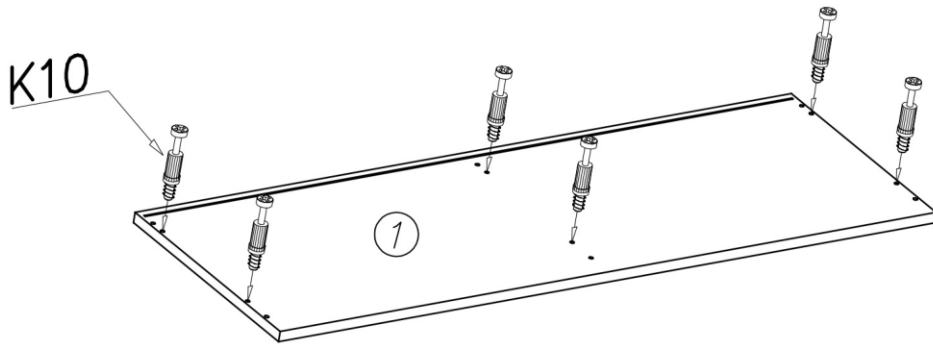
nr	L[mm]	B[mm]	T[mm]		
1	1500	490	22	1	1/5
2	1500	470	16	1	1/5
3	338	470	16	2	1/5
4	338	450	16	1	1/5
5	1479	350	3	1	1/5
6	1494	348	16	1	1/5



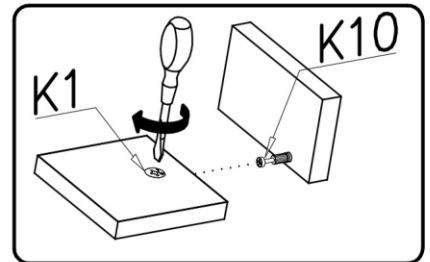
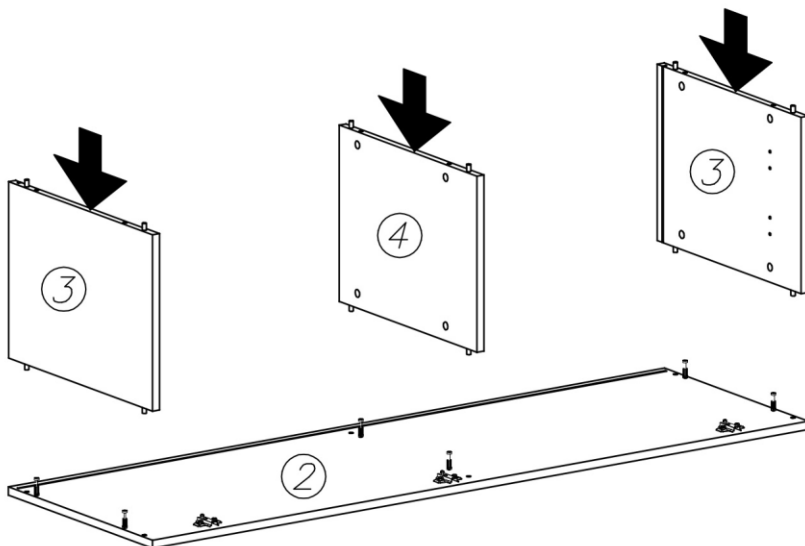
<b>K2</b>  ø15x16 x...(4)	<b>P15</b>  x...(5)	<b>G12</b>  4x25 x...(10)	<b>L6</b>  x...(2)	<b>I7</b>  ø18 x...(12)
<b>K1</b>  ø15x12 x...(8)	<b>G8</b>  4x30 x...(3)	<b>I1</b>  x...(10)	<b>E74</b>  900mm x...(1)	
<b>K10</b>  x...(12)	<b>B1</b>  ø8x35 x...(12)	<b>C3</b>  Z35PR x...(3)	<b>D3</b>  PZ35PR x...(3)	<b>G34</b>  3,5x16 x...(18)

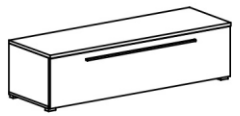


I

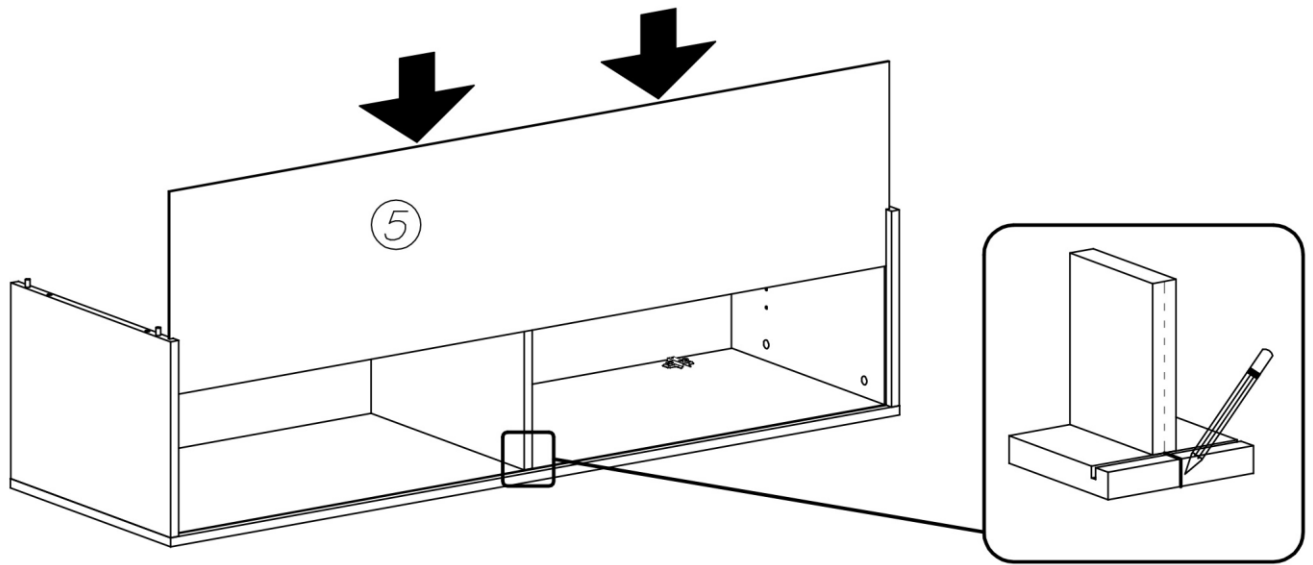


II

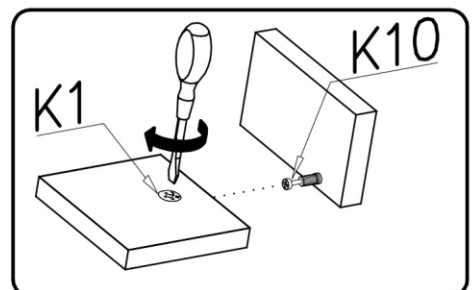
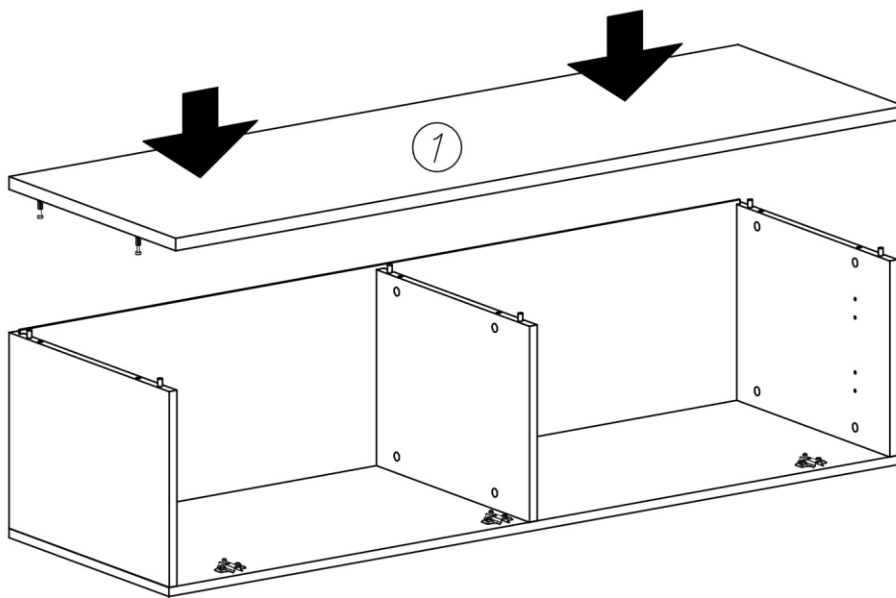




### III

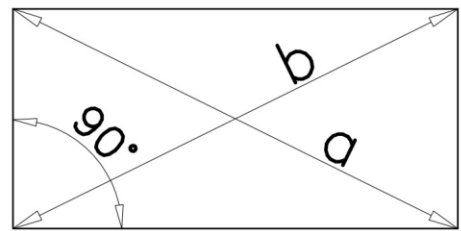
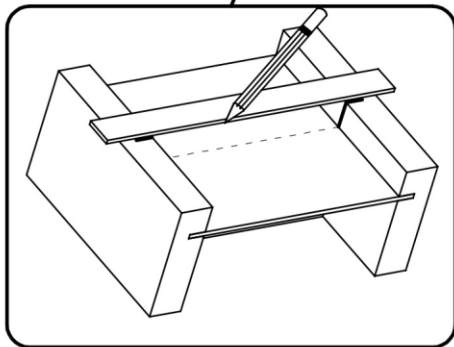
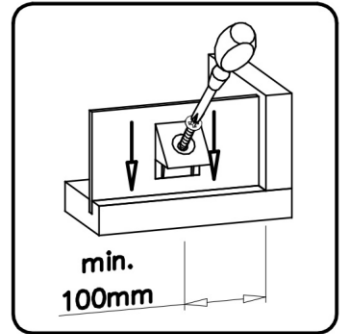
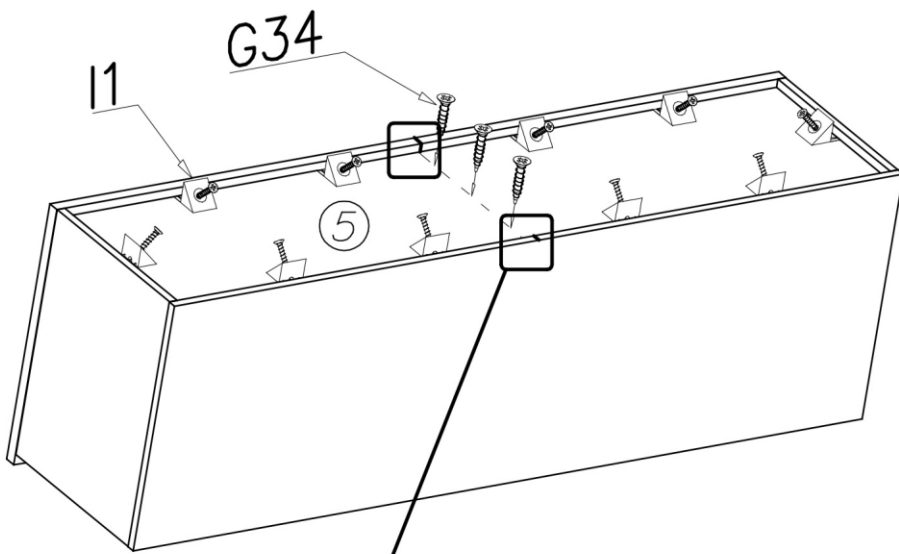


### IV



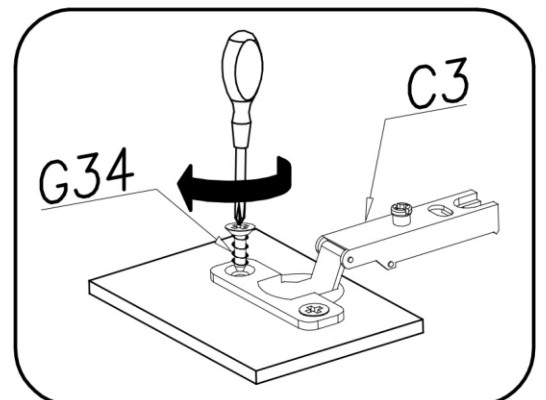
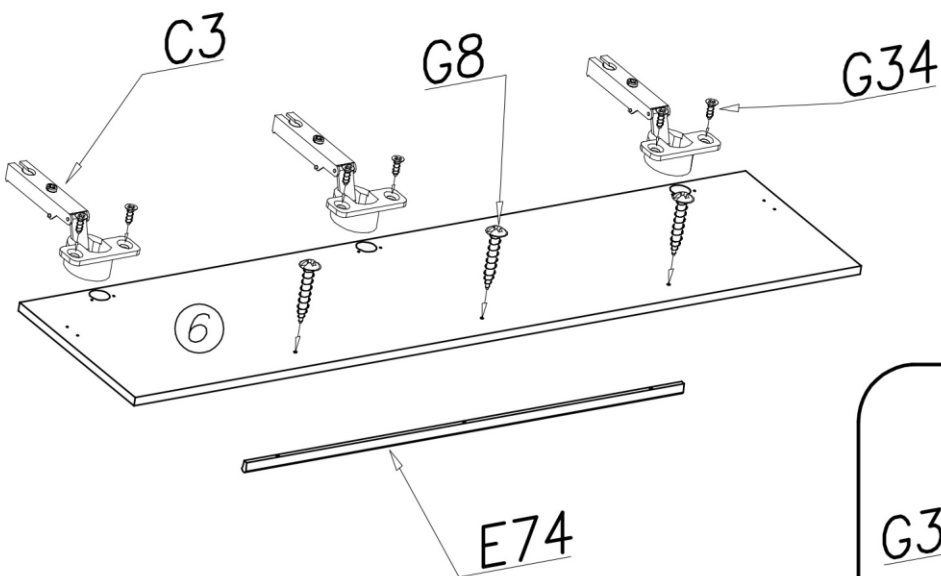


V



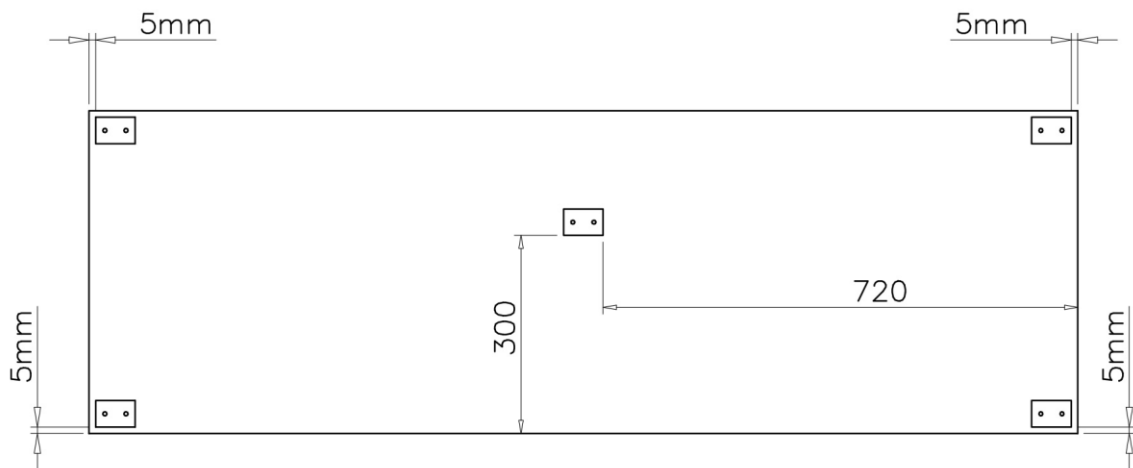
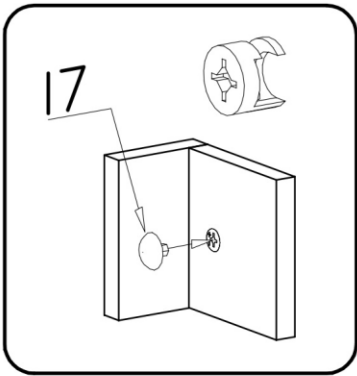
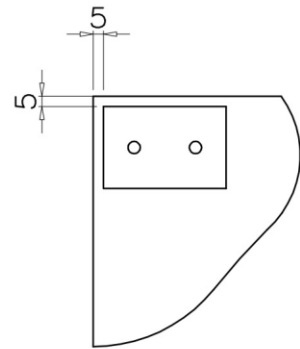
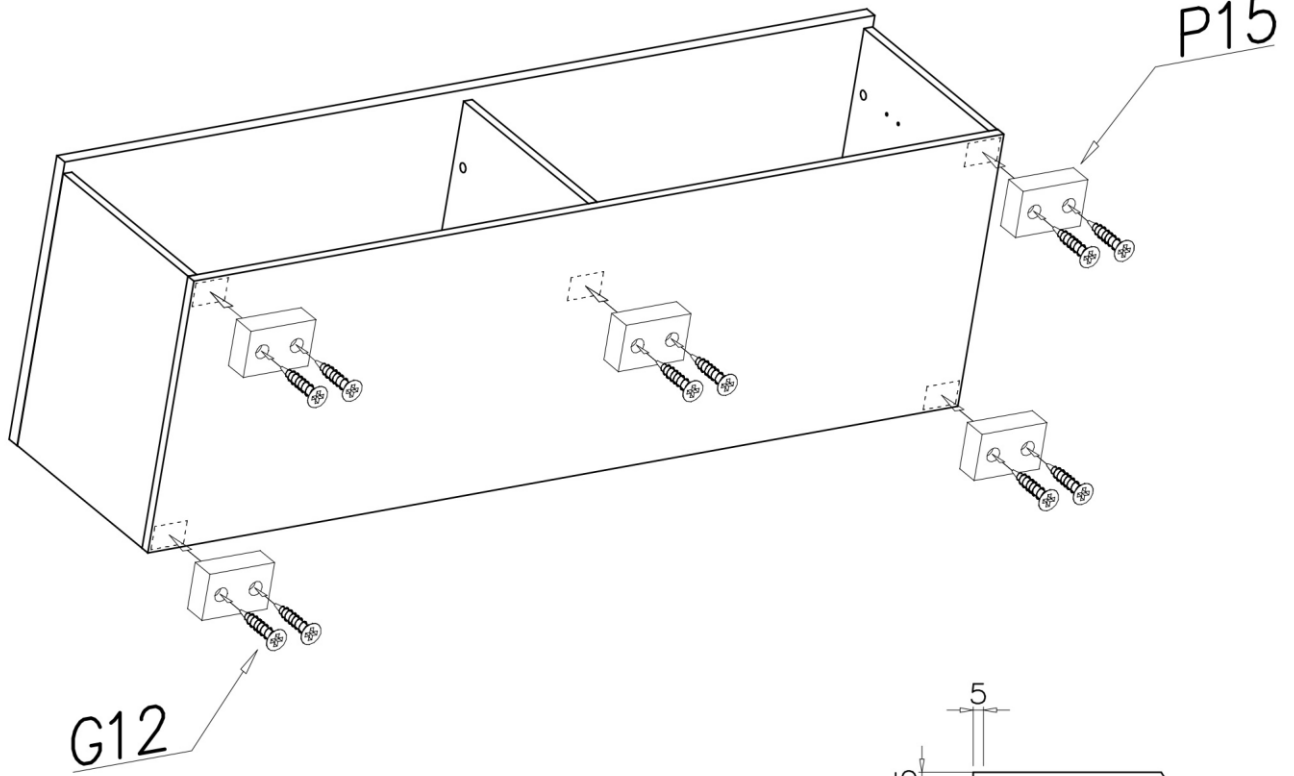
$$a = b$$

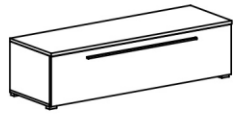
VI



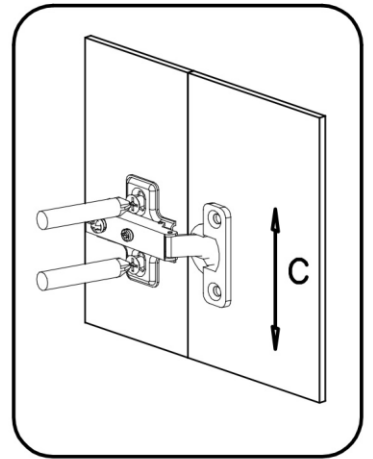
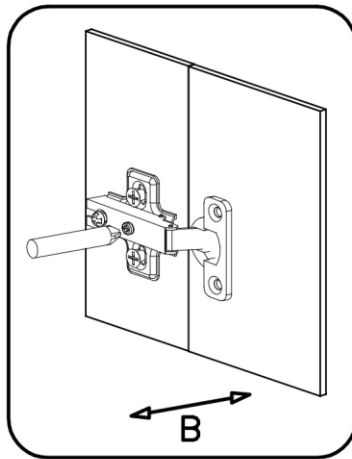
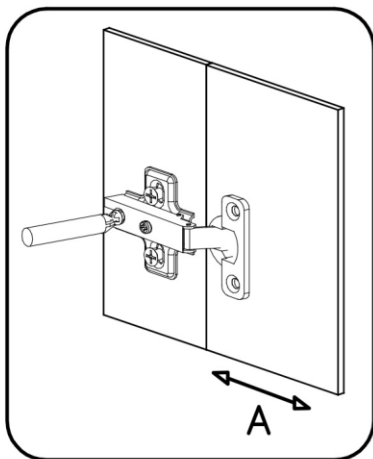
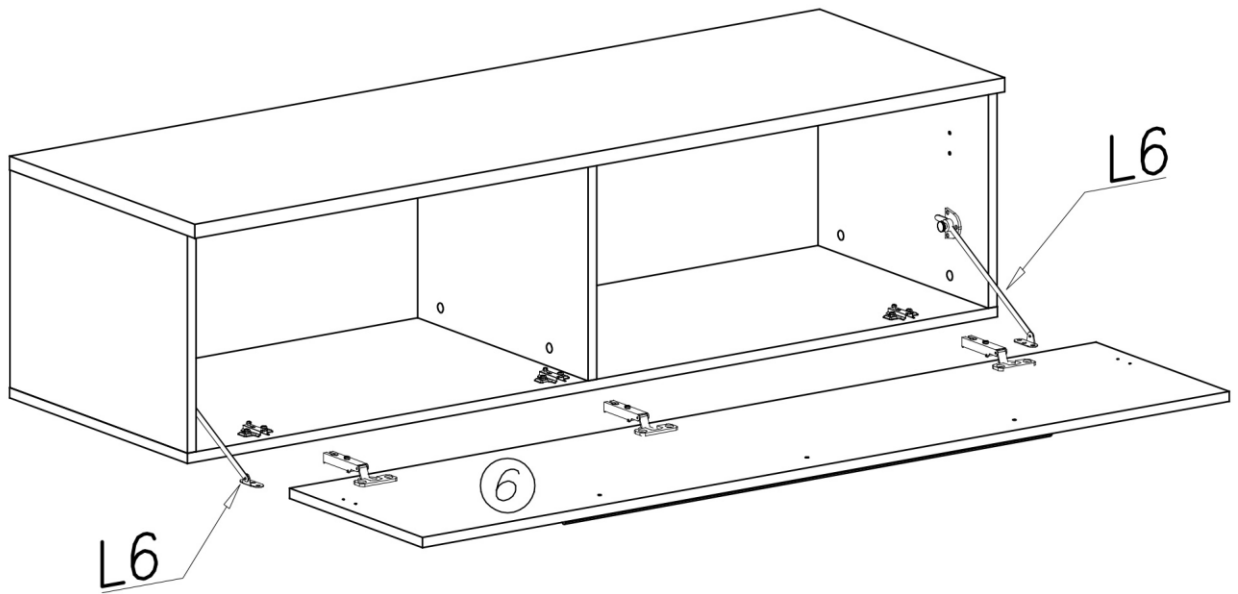
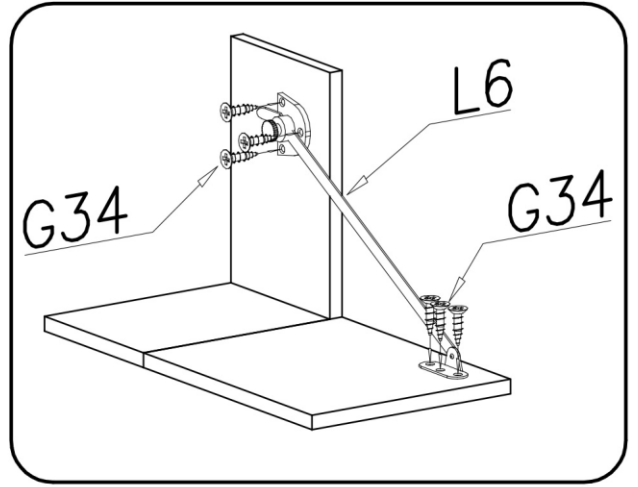
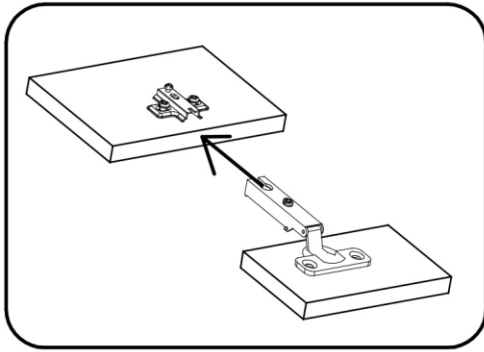


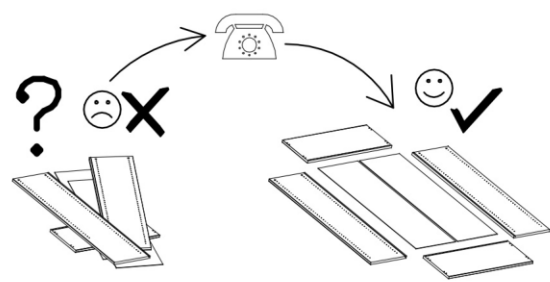
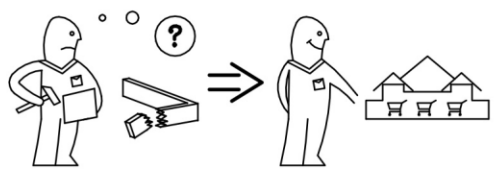
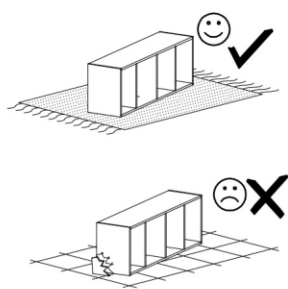
# VII



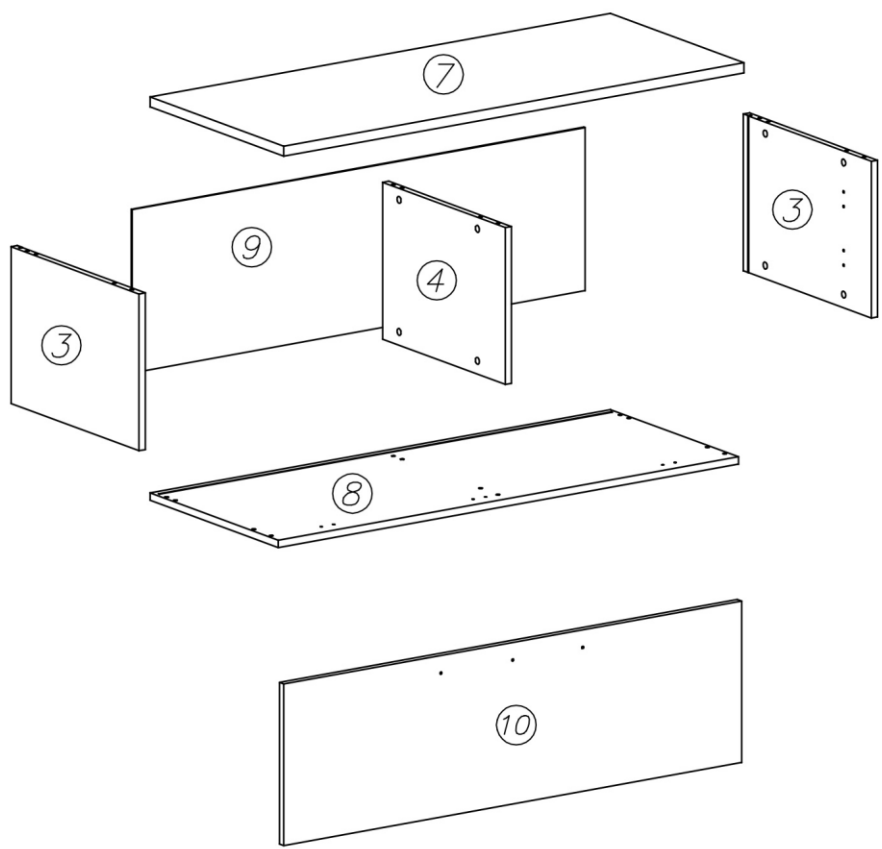



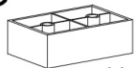
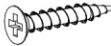
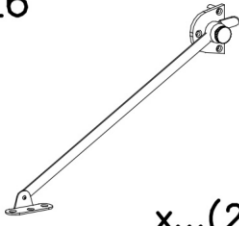
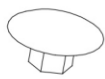
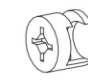

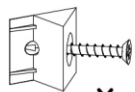

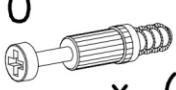

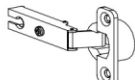


# VIII



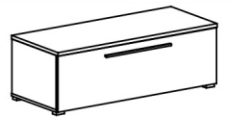


nr	L[mm]	B[mm]	T[mm]		
7	1183	490	22	1	2/5
8	1183	470	16	1	2/5
3	338	470	16	2	2/5
4	338	450	16	1	1/5
9	1162	350	3	1	2/5
10	1177	348	16	1	2/5

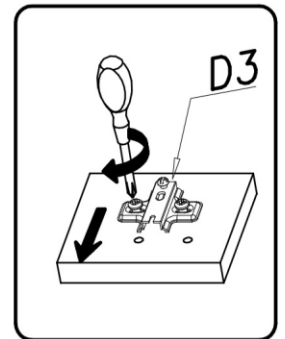
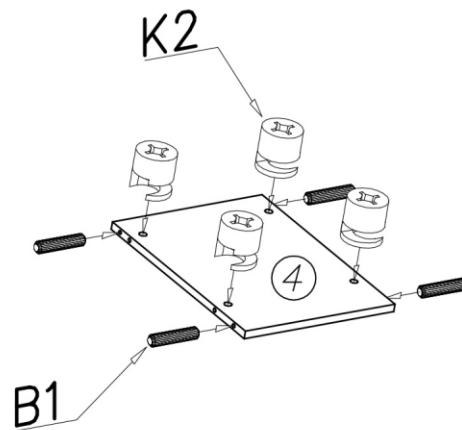
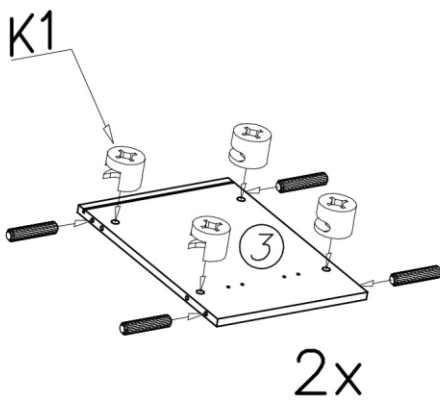
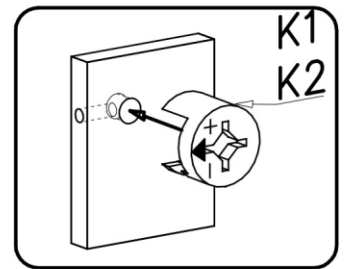
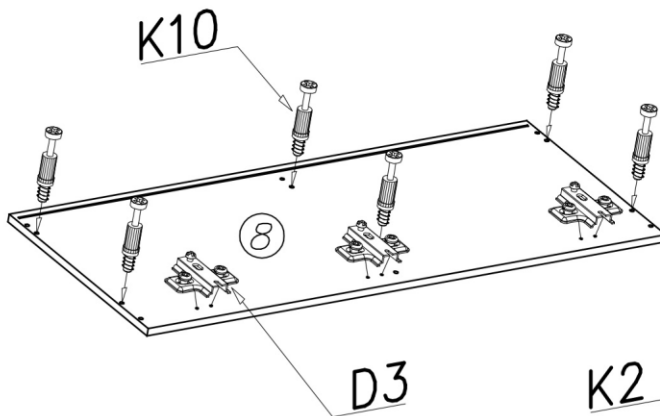
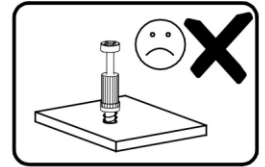
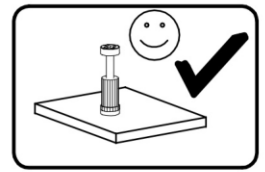
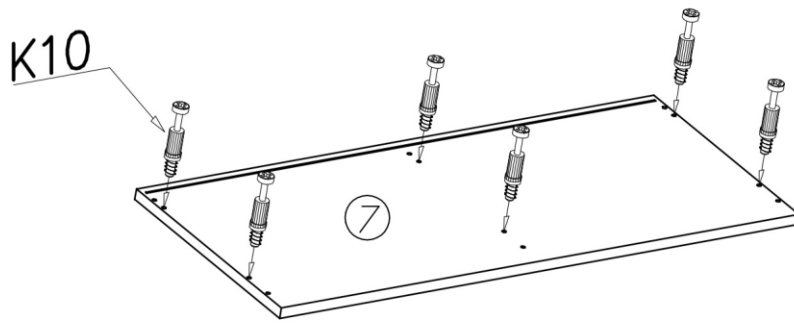


<b>K2</b>  ø15x16 x...(4)	<b>P15</b>  x...(5)	<b>G12</b>  4x25 x...(10)	<b>L6</b>  x...(2)	<b>I7</b>  ø18 x...(12)
<b>K1</b>  ø15x12 x...(8)	<b>G8</b>  4x30 x...(3)	<b>I1</b>  x...(10)	<b>E60</b>  468mm x...(1)	
<b>K10</b>  x...(12)	<b>B1</b>  ø8x35 x...(12)	<b>C3</b>  Z35PR x...(3)	<b>D3</b>  PZ35PR x...(3)	<b>G34</b>  3,5x16 x...(18)

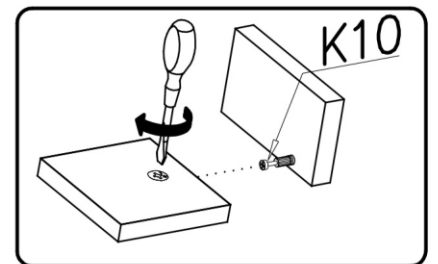
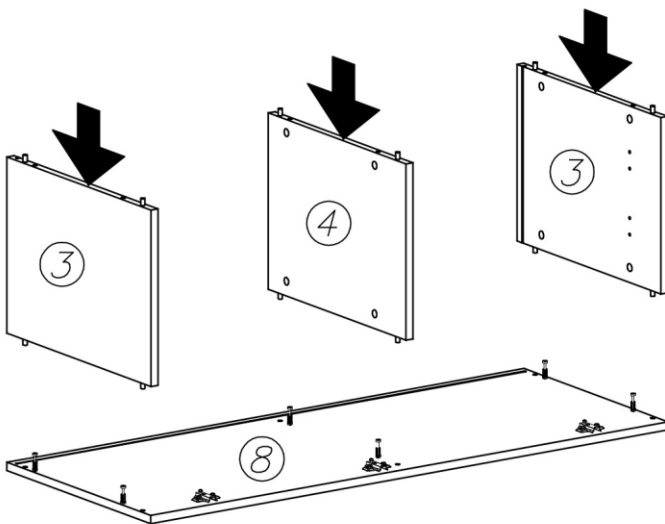


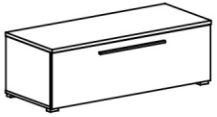


I

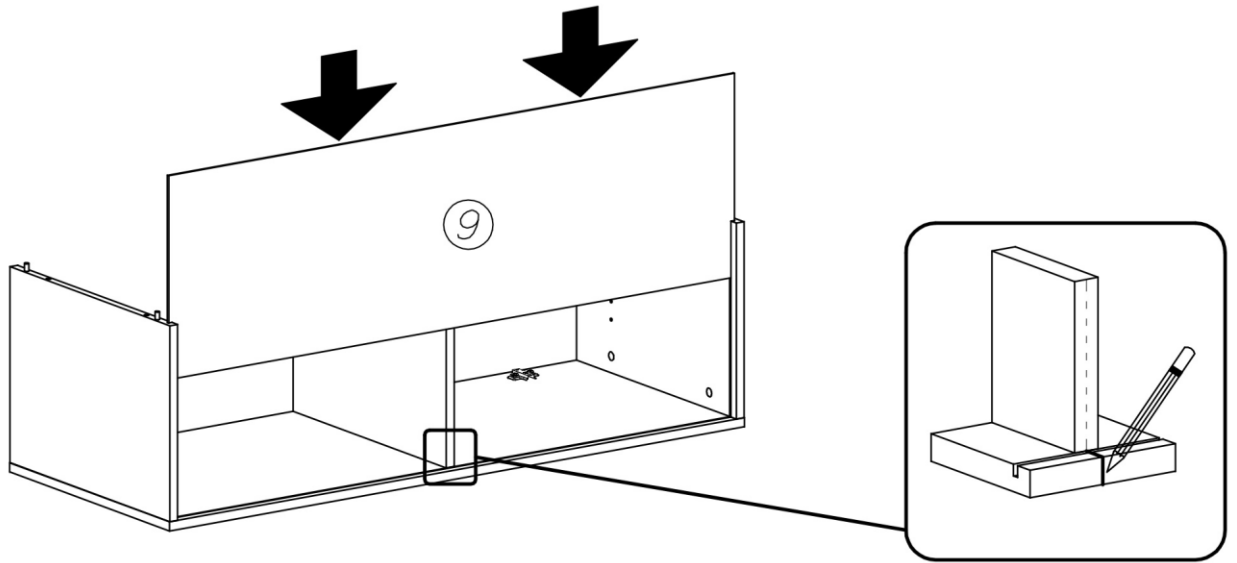


II

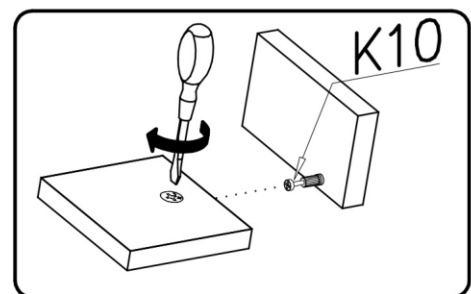
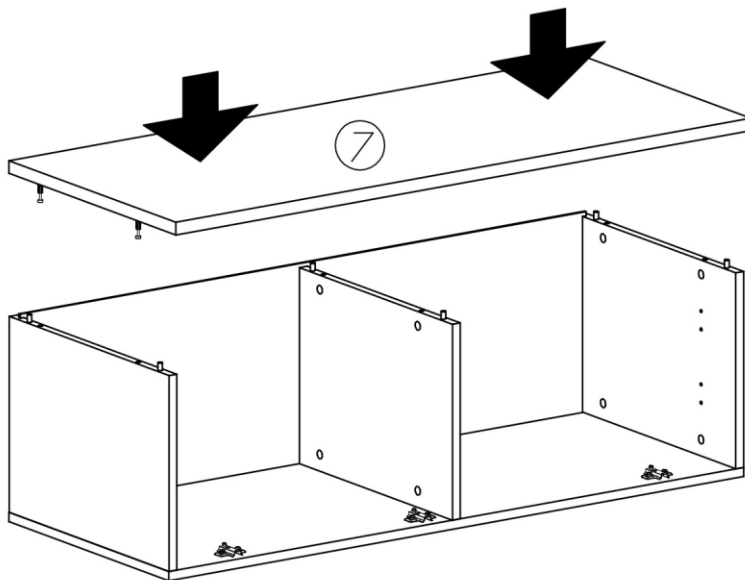




III

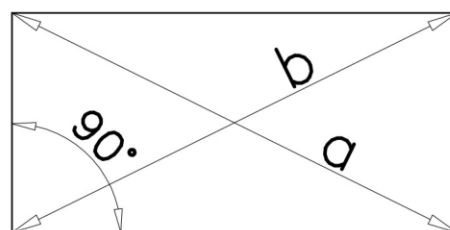
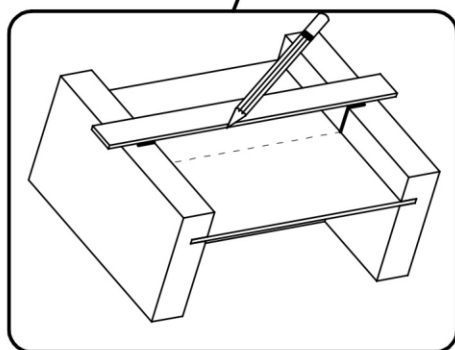
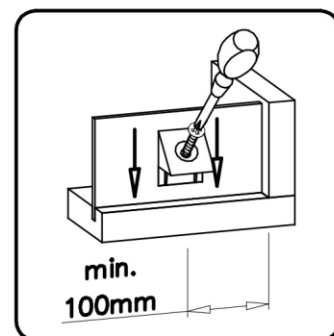
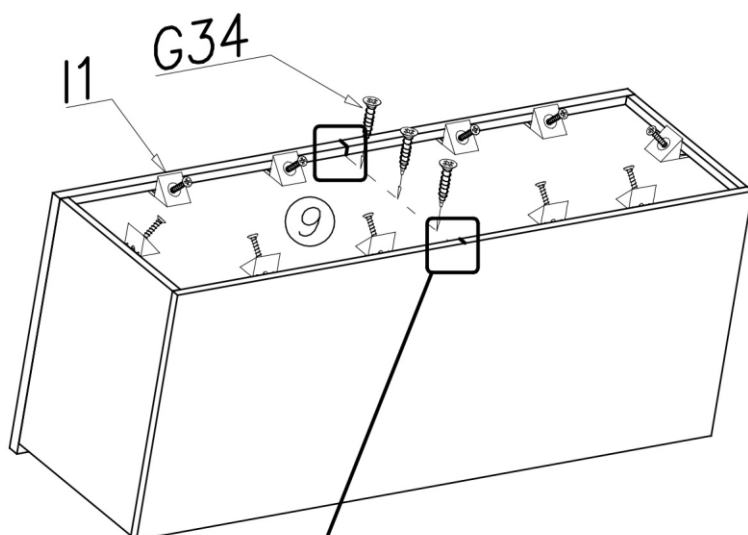


IV



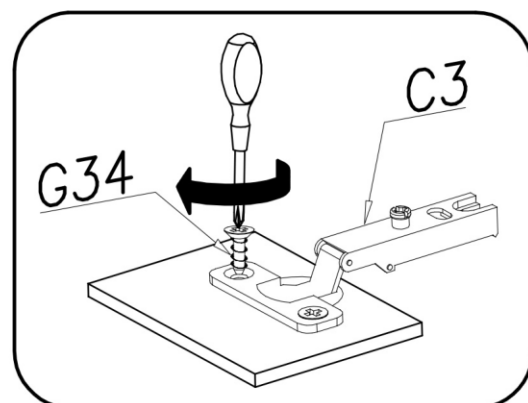
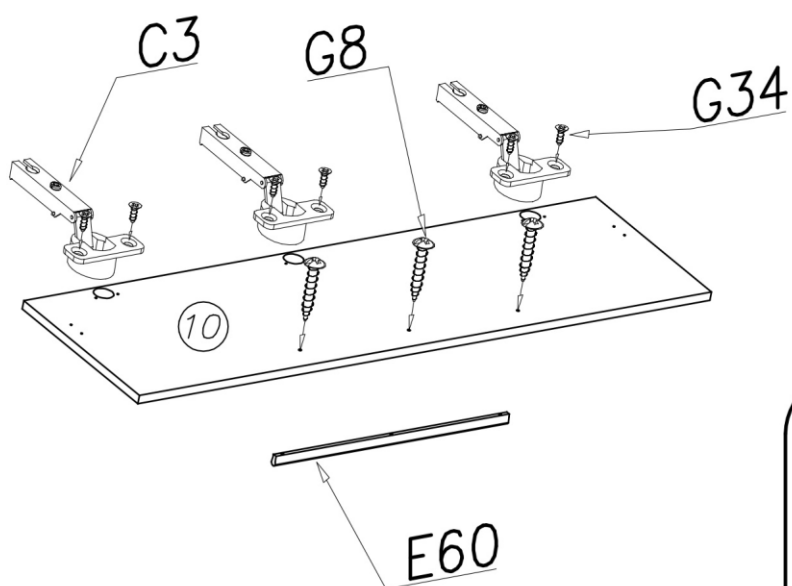


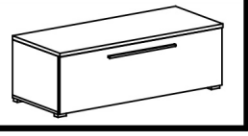
V



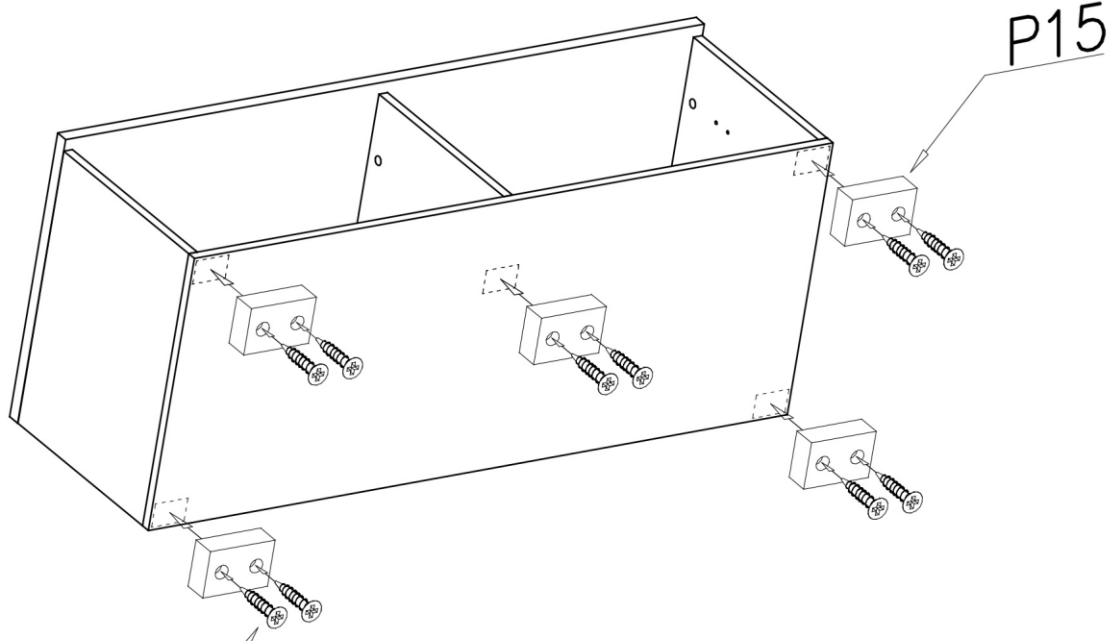
$$a = b$$

VI



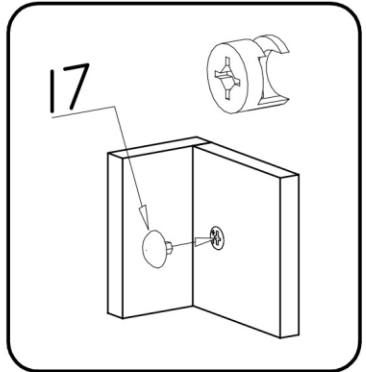
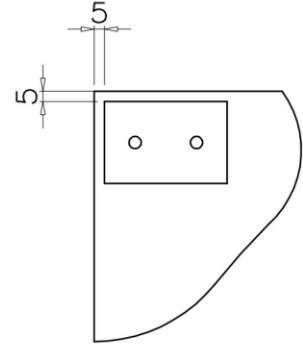


# VII

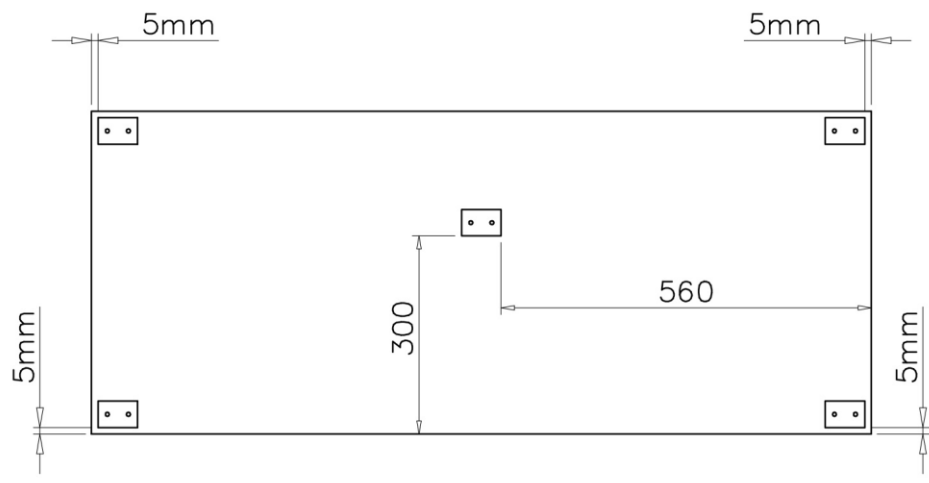


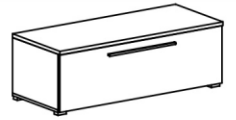
G12

P15

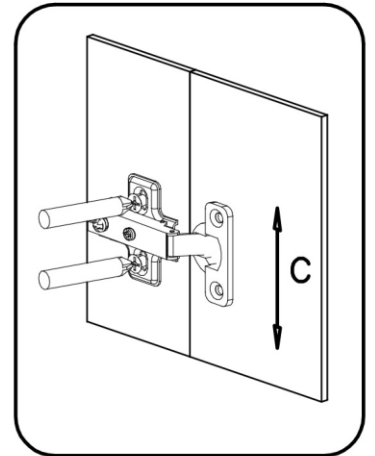
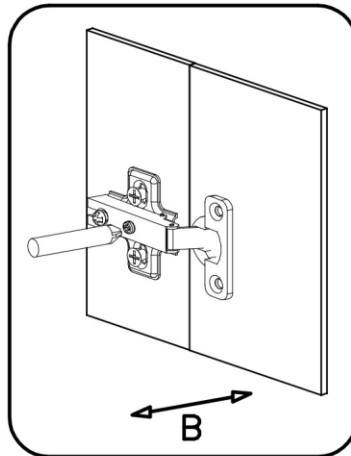
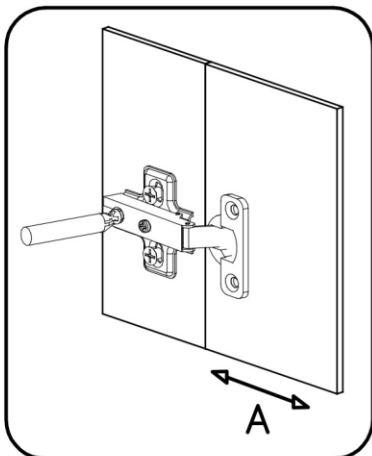
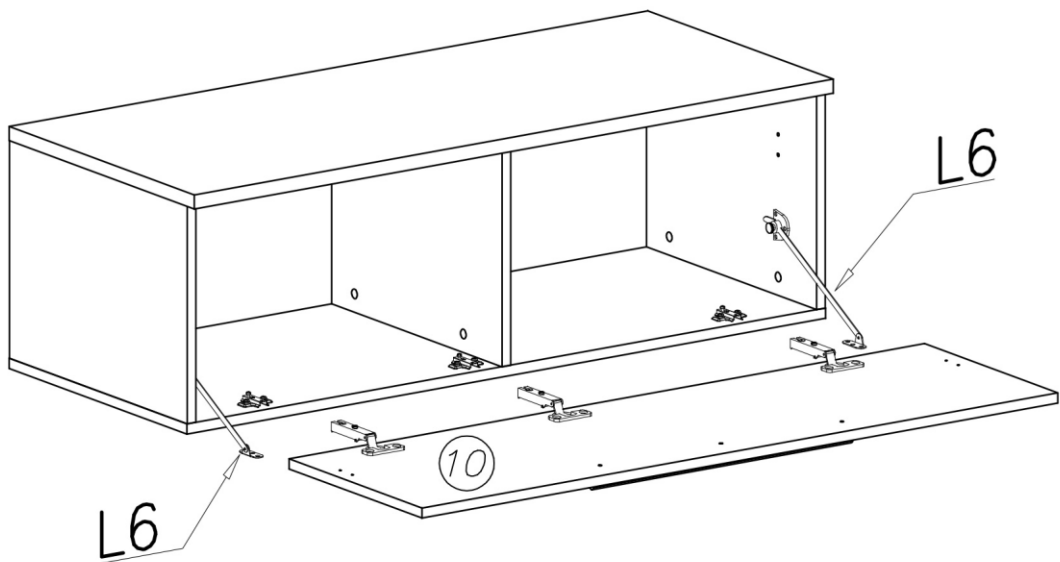
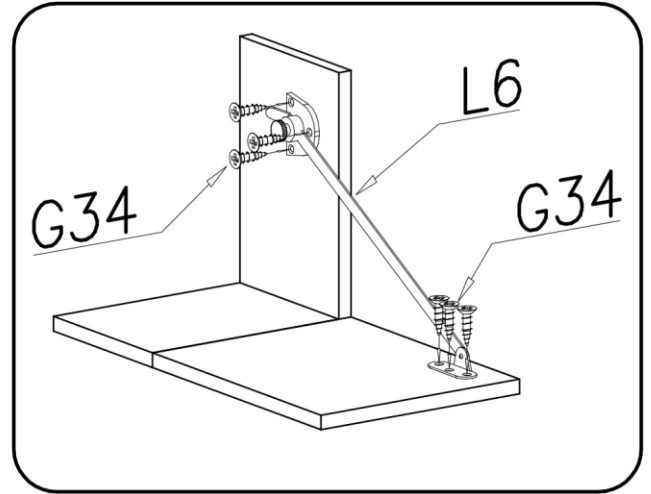
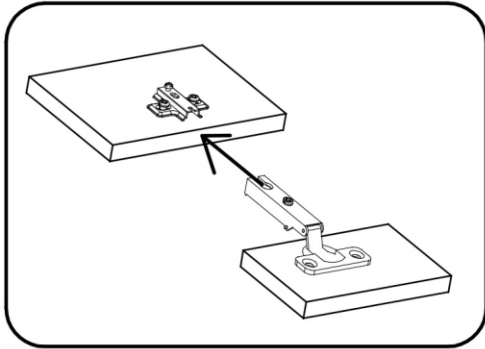


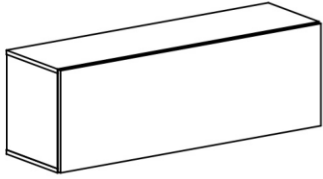
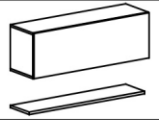
17





# VIII



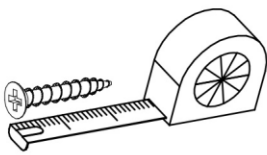
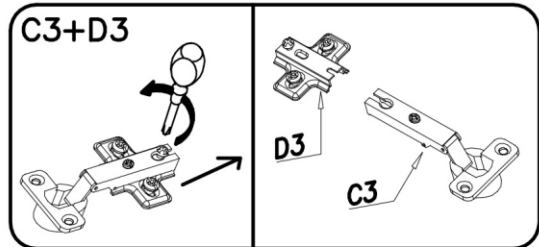
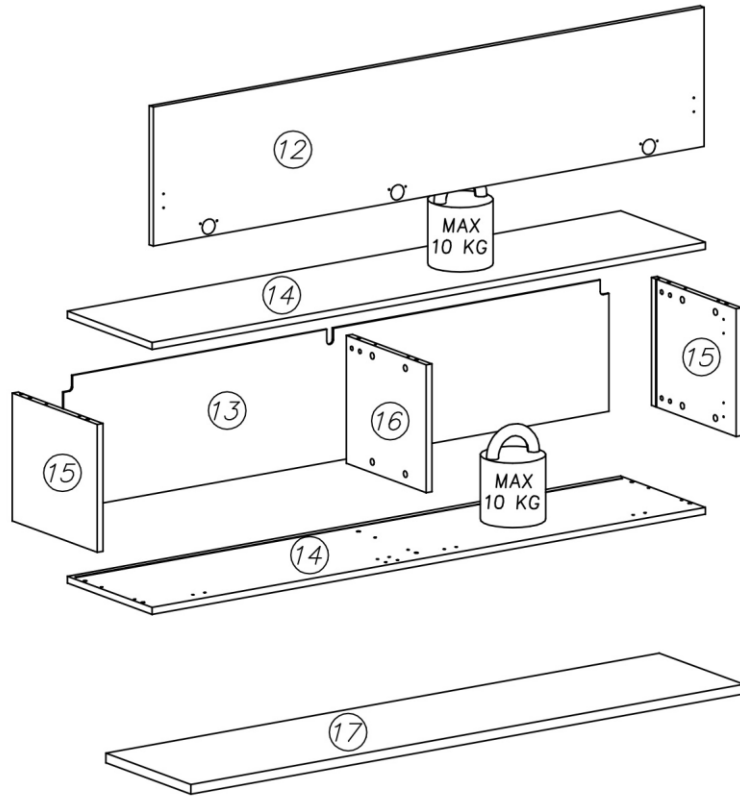


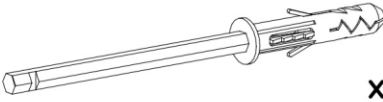




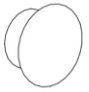

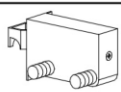
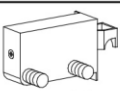
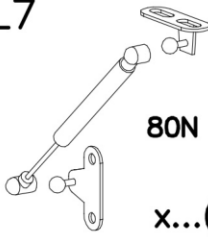

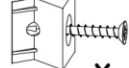
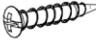
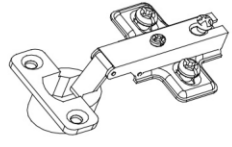
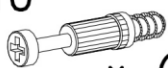


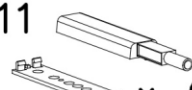

CI-C

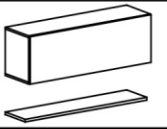


CI-F

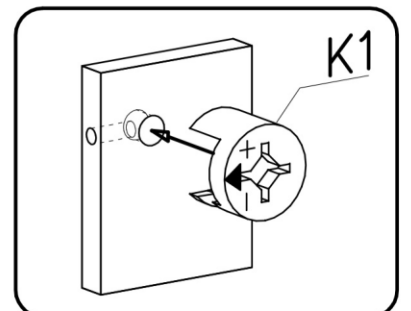
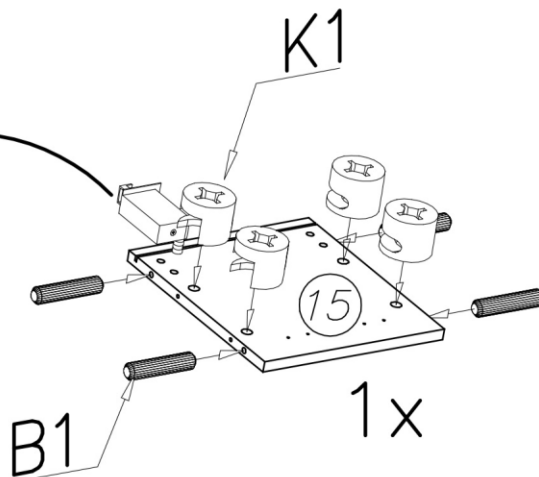
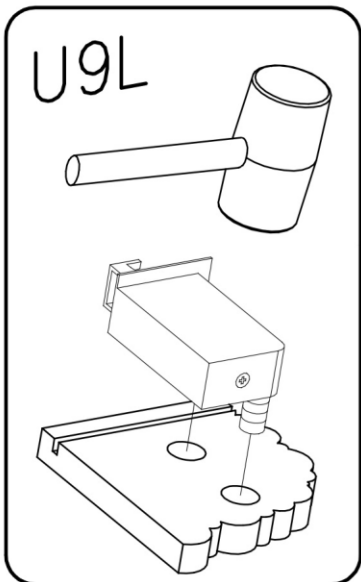
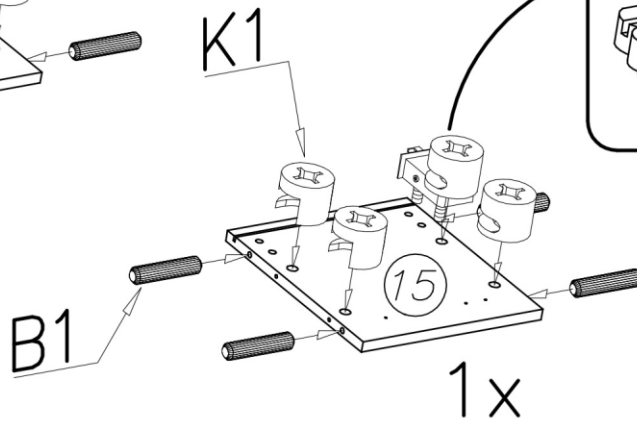
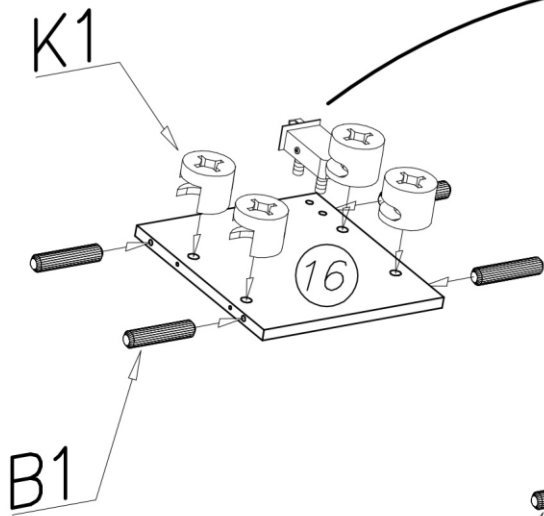
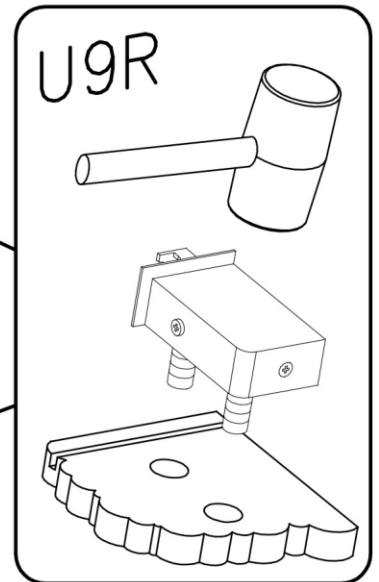
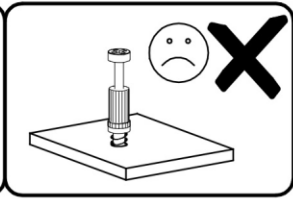
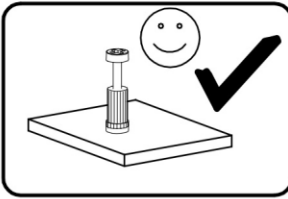
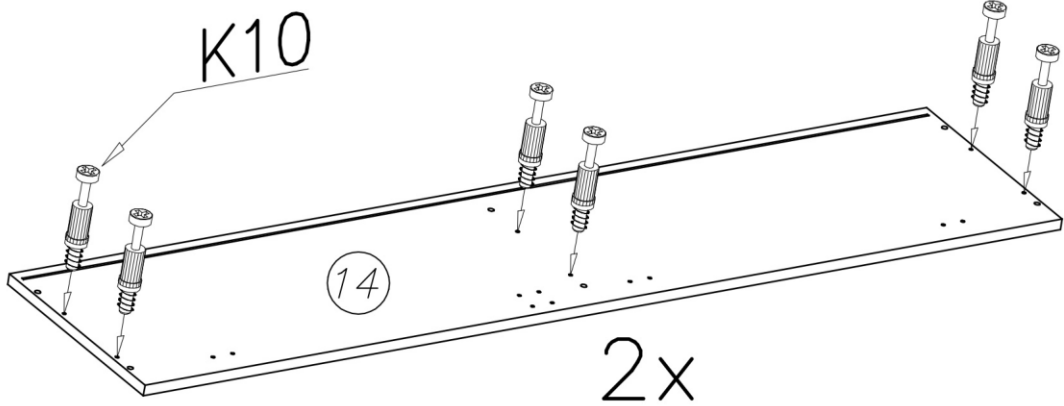
nr	L[mm]	B[mm]	T[mm]		
12	1177	392	16	1	3/5
13	1162	378	3	1	3/5
14	1183	328	16	2	3/5
15	366	328	16	2	3/5
16	366	308	16	1	3/5
17	1183	278	22	1	3/5

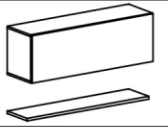


		U19  x...(3)	U7  x...(3)
U10L  x...(1)	I7  ø18 x...(12)	I4  ø5 x...(6)	I10  ø10 x...(4)
U10R  x...(2)	U9L  x...(1)	U9R  x...(2)	L7  80N x...(2)
K1  ø15x12 x...(12)	I1  x...(10)	G32  3,5x16 x...(8)	C3+D3  Z35PR x...(3)
K10  x...(12)	B1  ø8x35 x...(12)	G34  3,5x16 x...(10)	L11  x...(2)
			G50  6x13 x...(4)

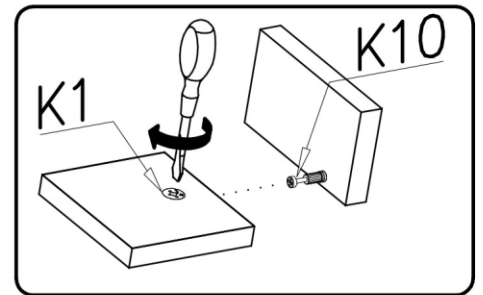
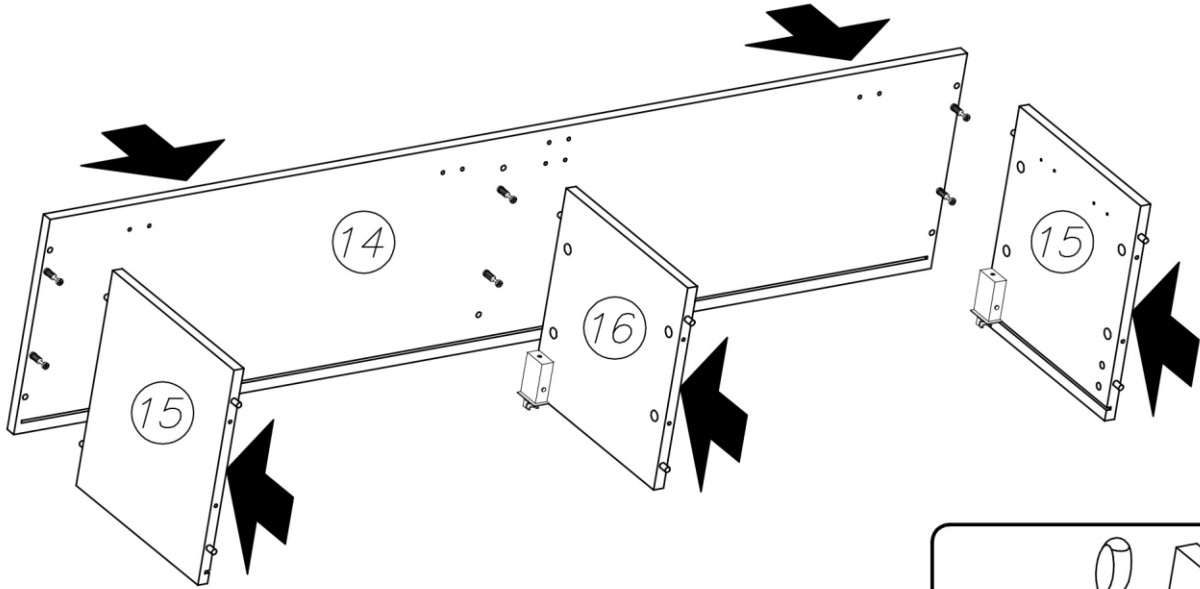


I

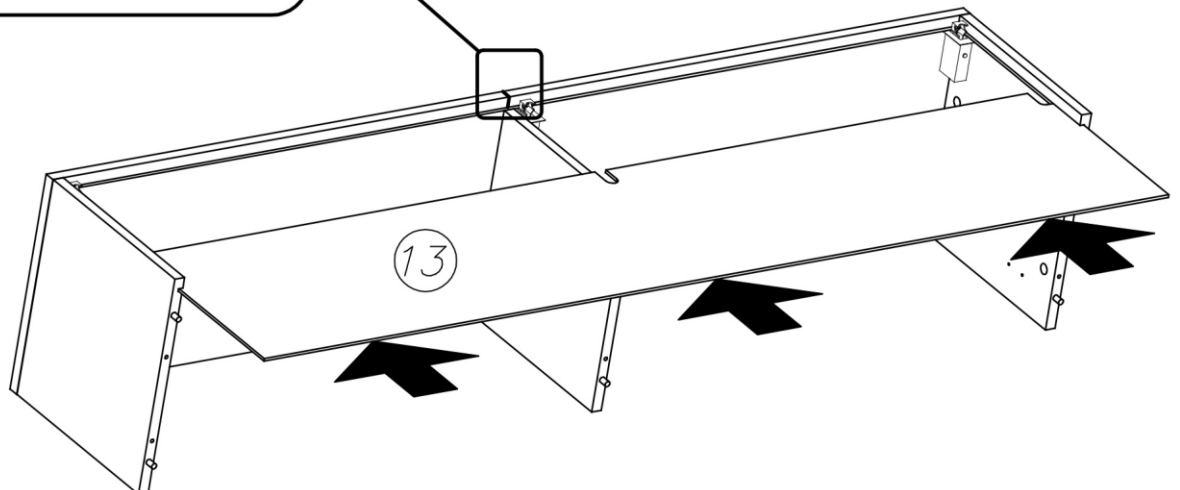
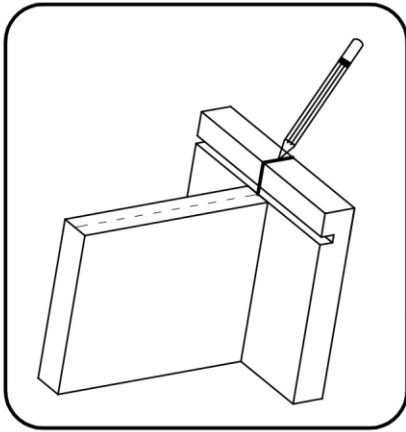




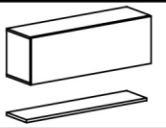
II



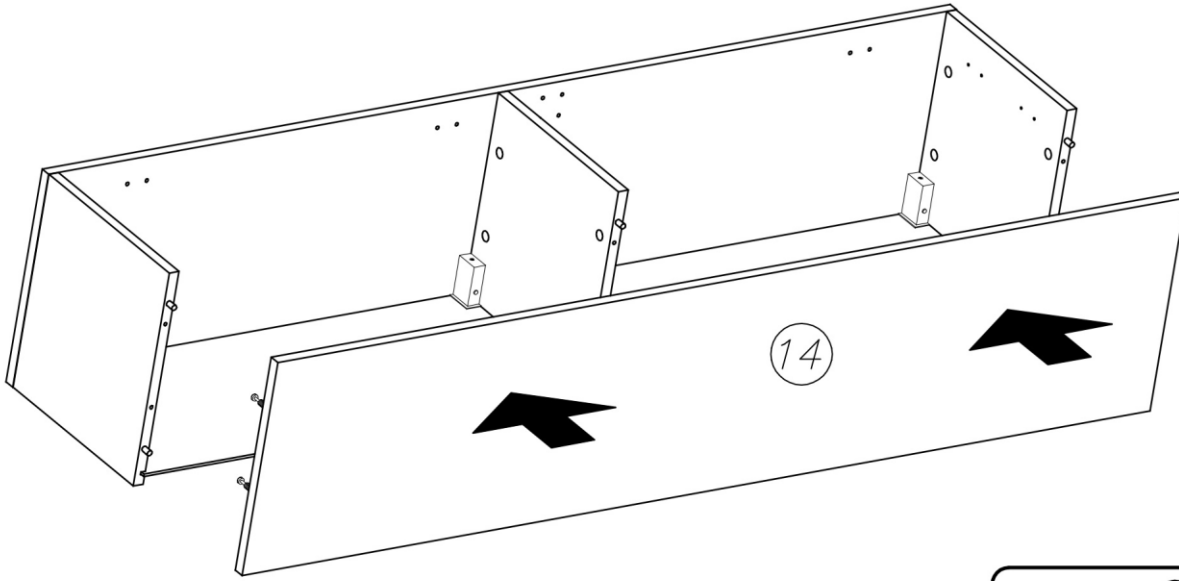
III



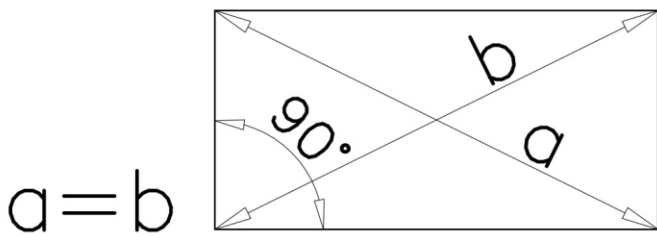
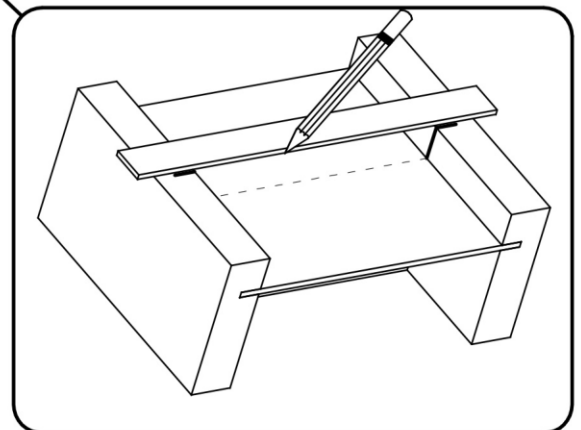
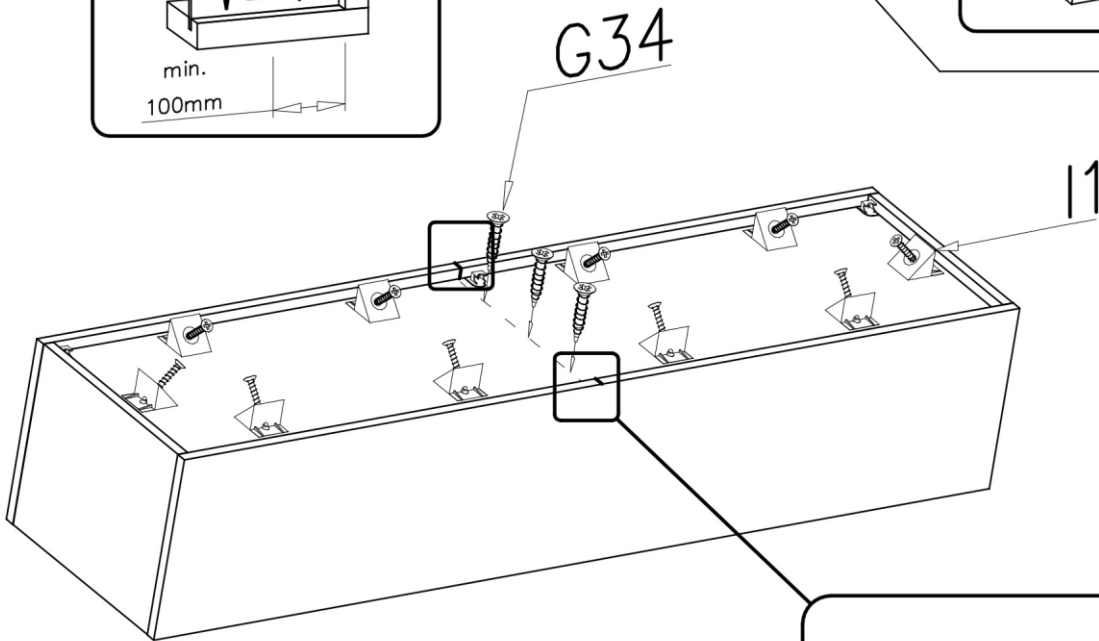
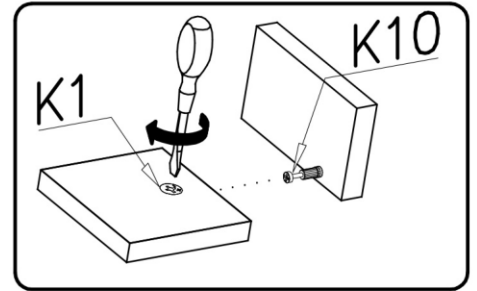
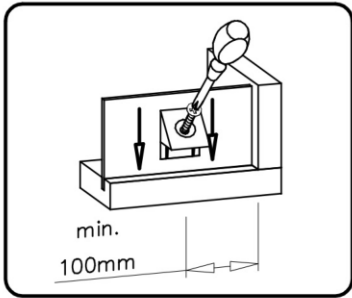


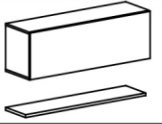


# IV

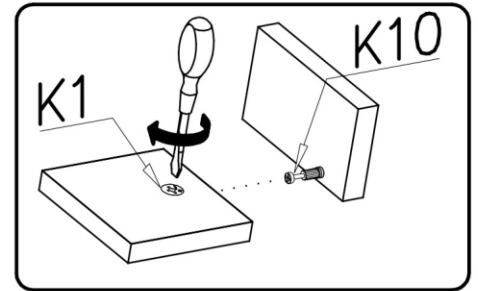
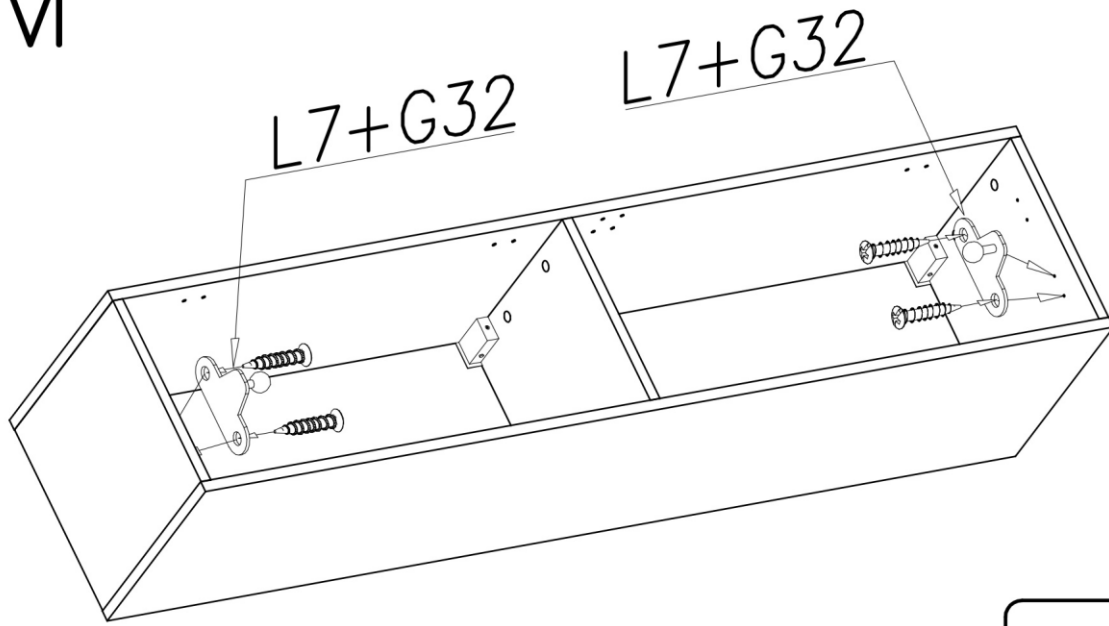


# V

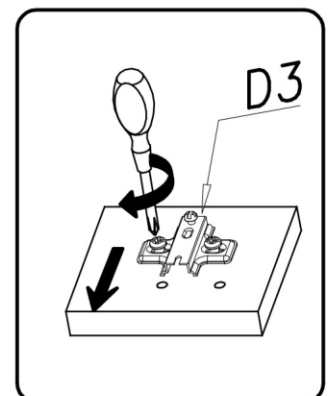
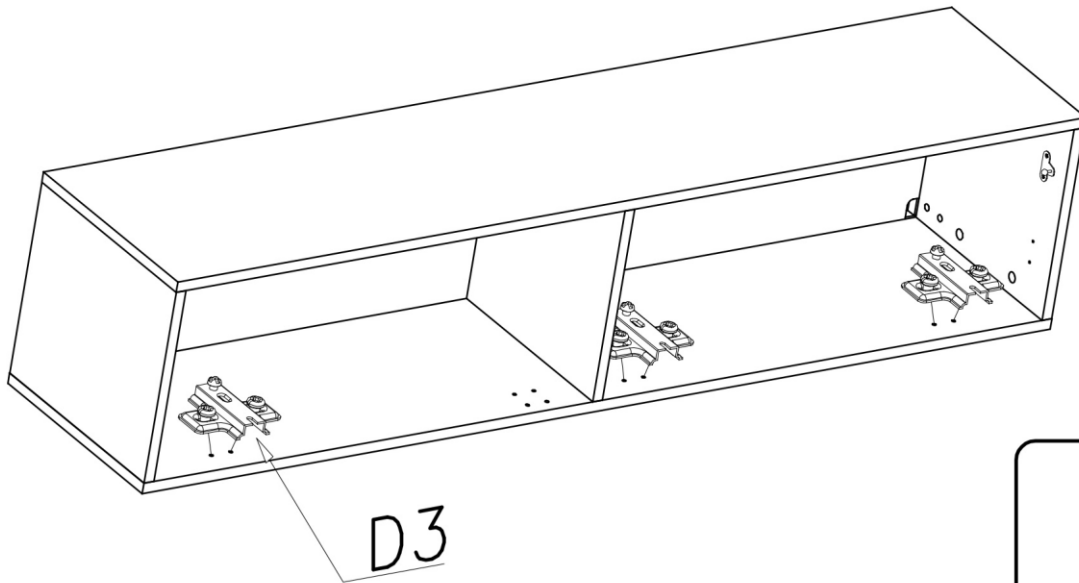


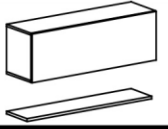


# VI

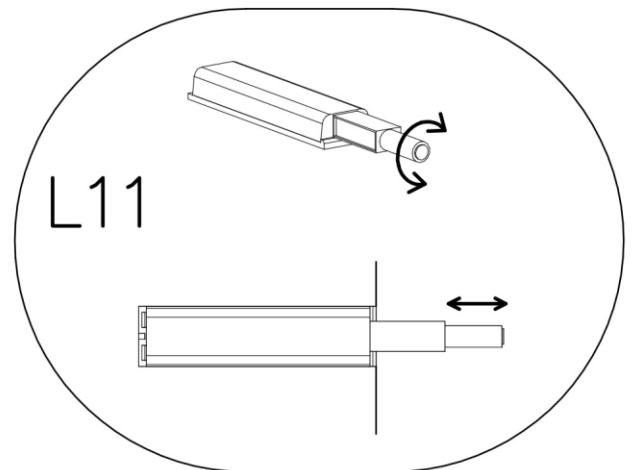
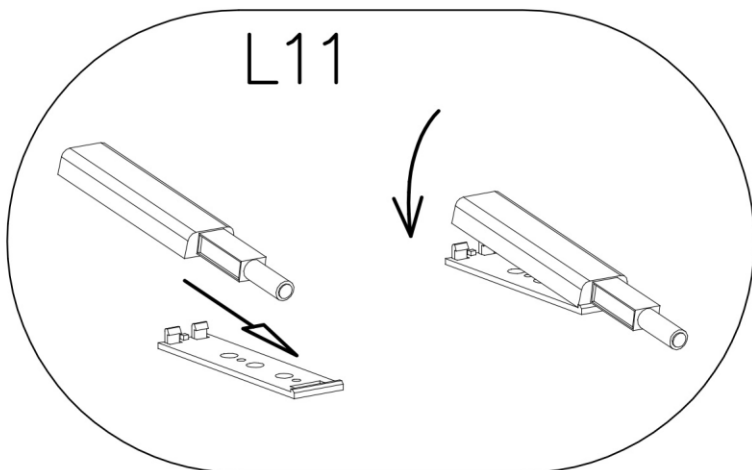
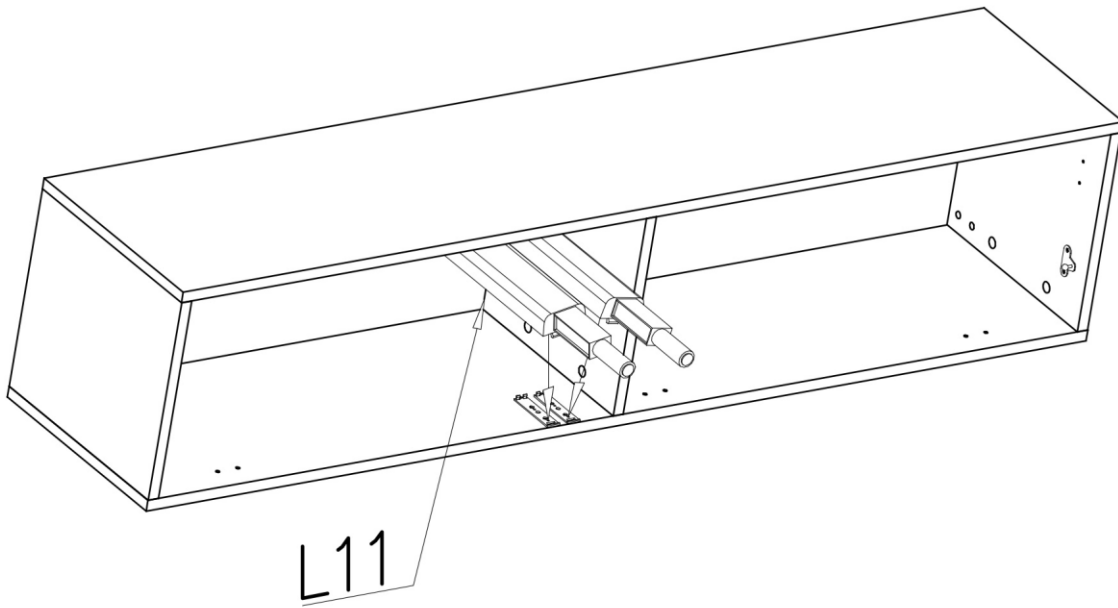
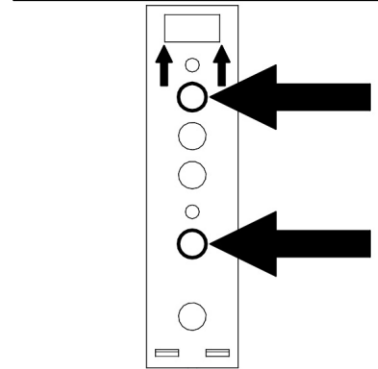
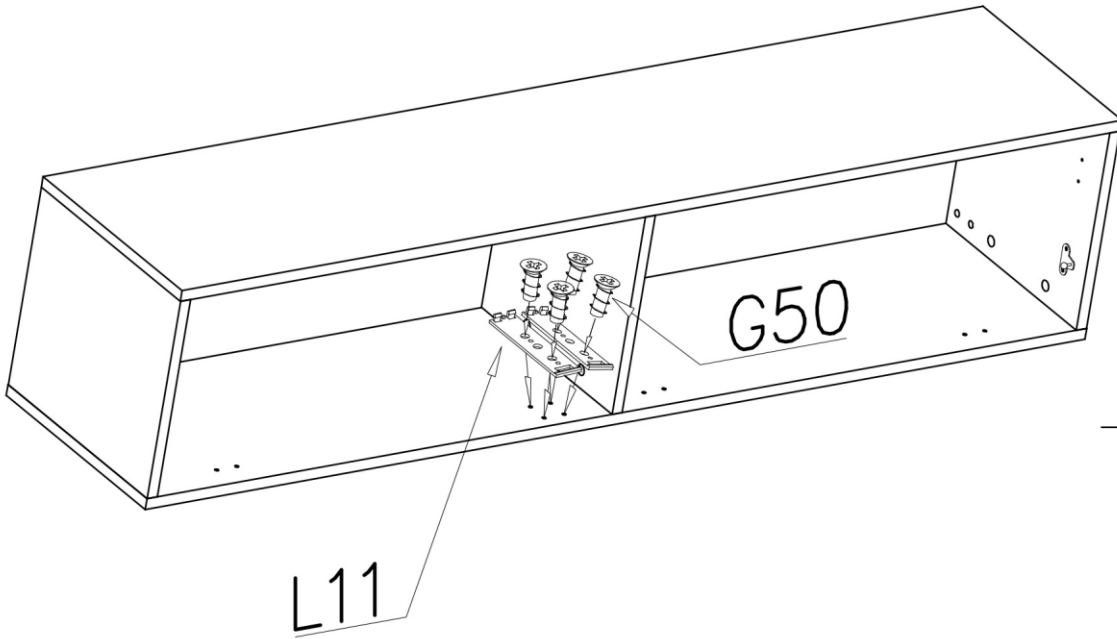


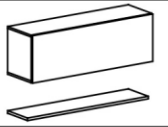
# VII



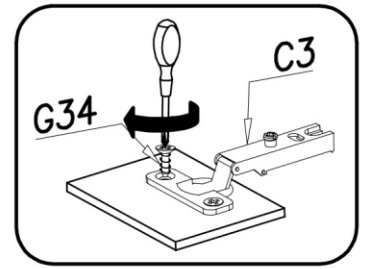
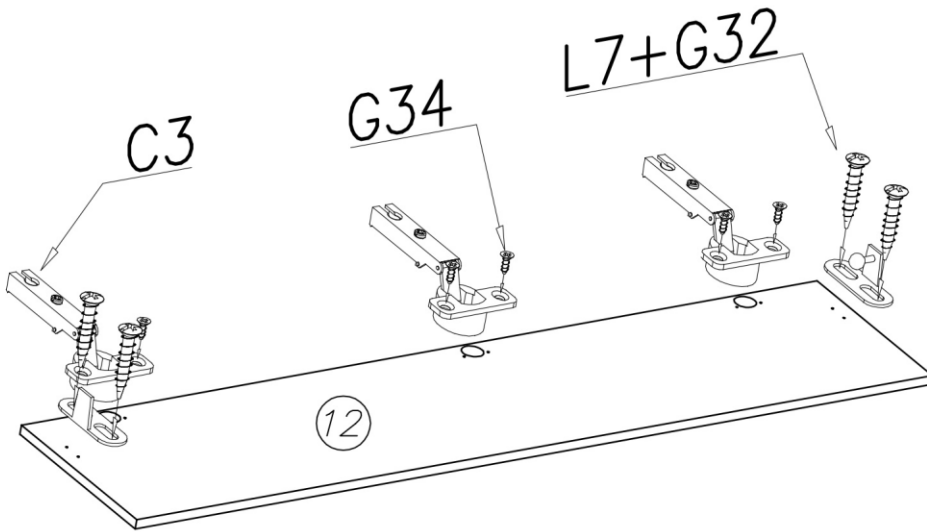


# VIII

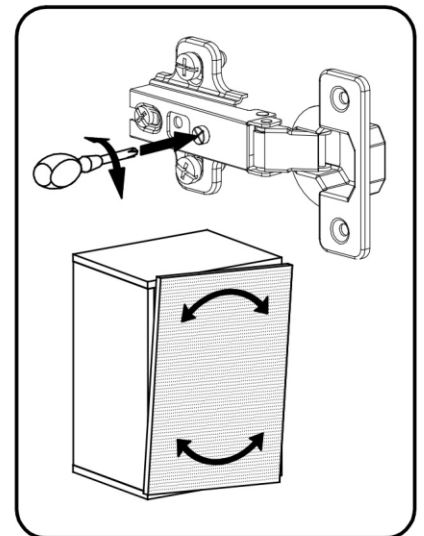
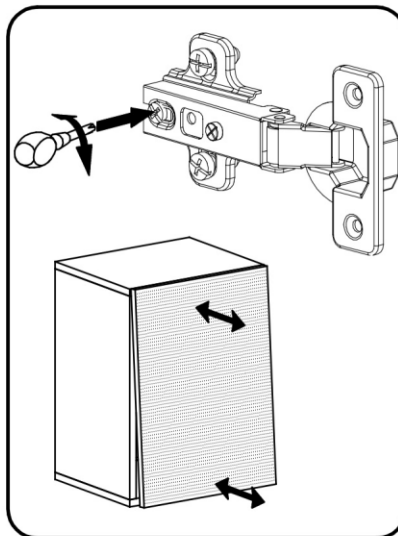
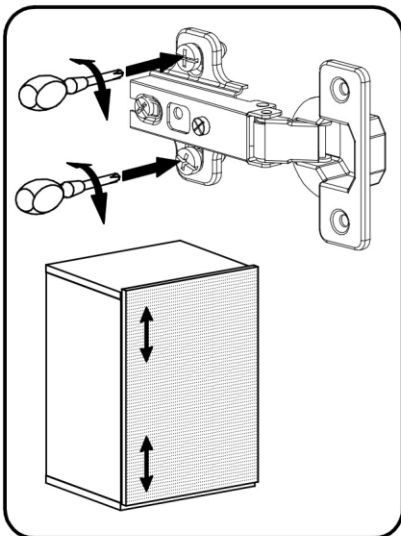
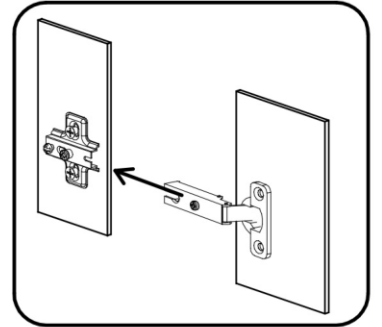
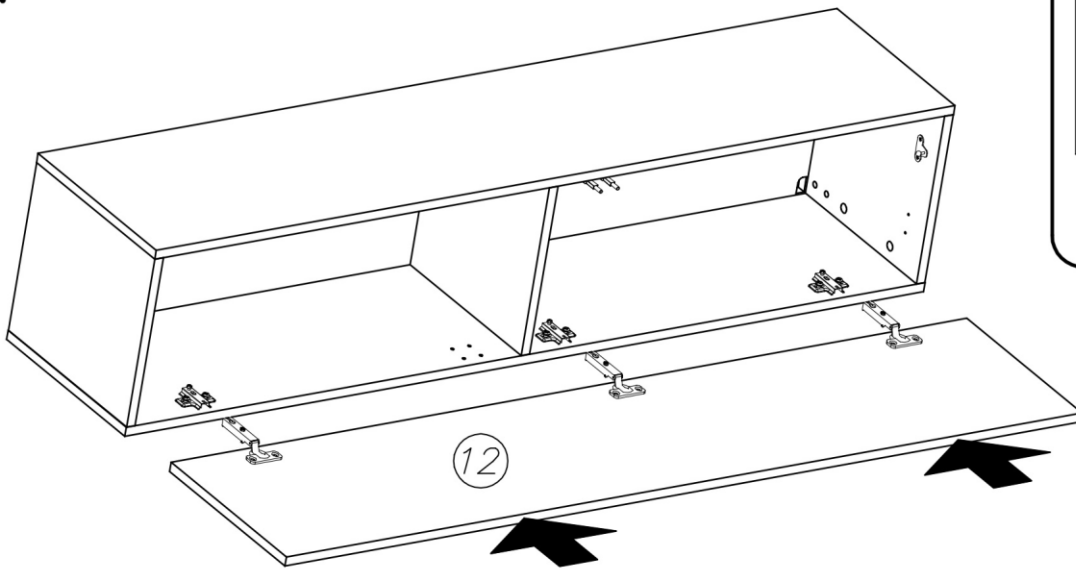


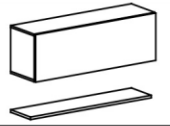


IX

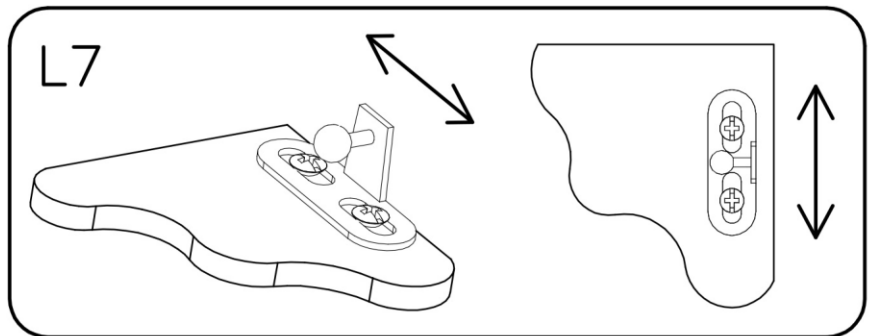
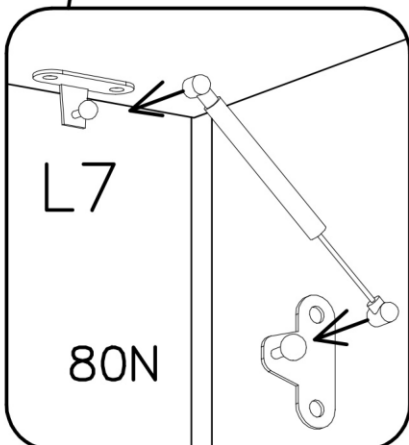
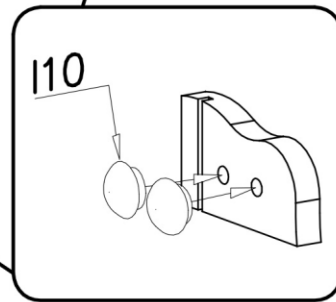
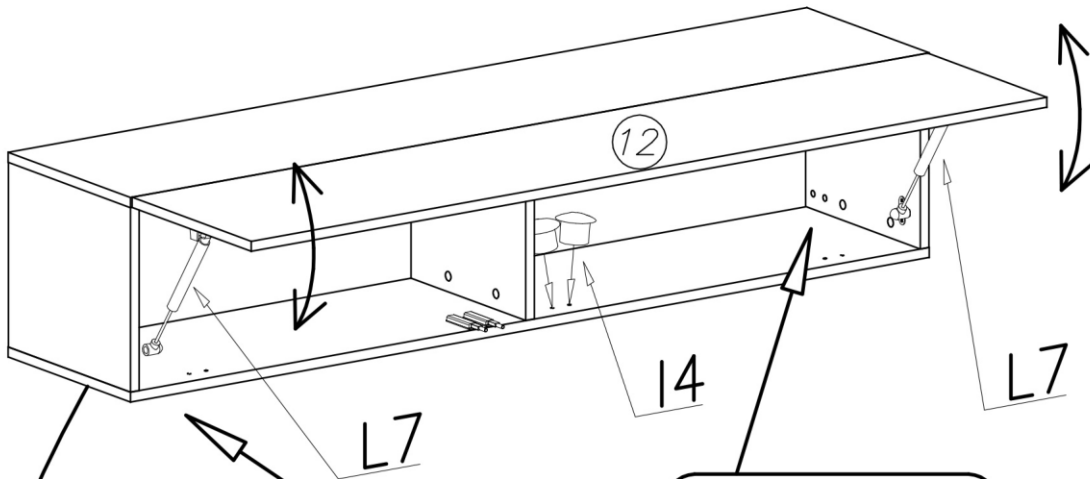
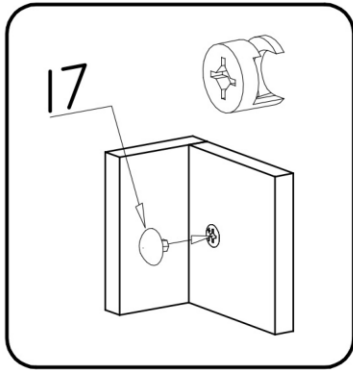


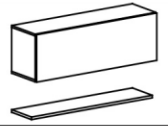
X



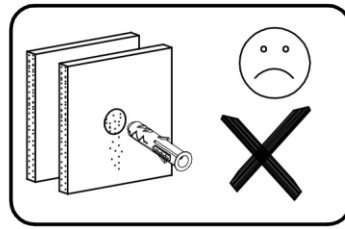
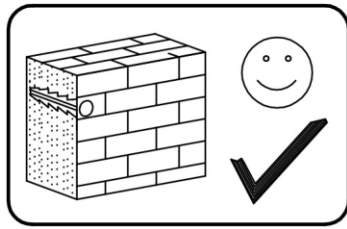


# XI

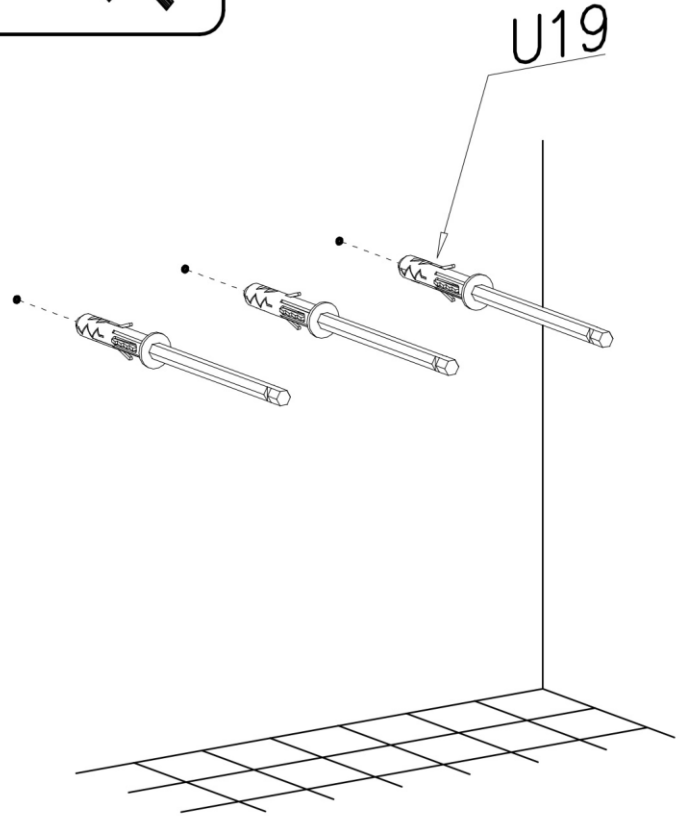
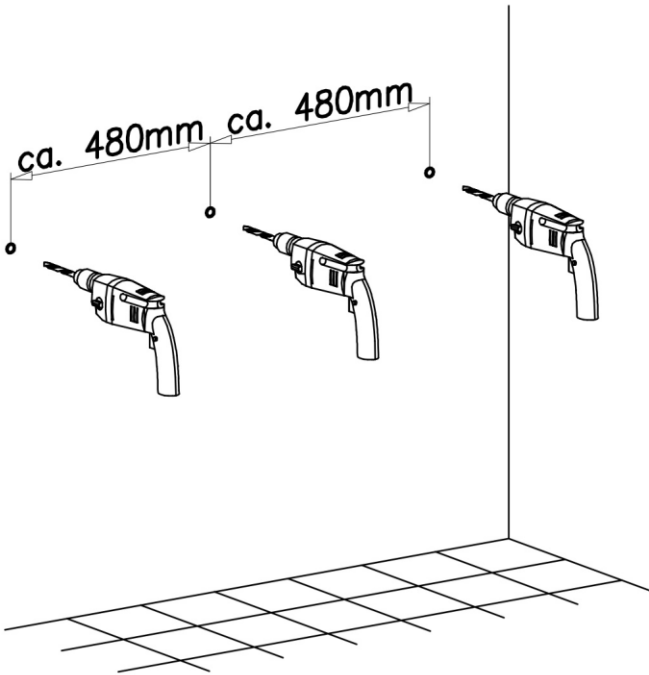




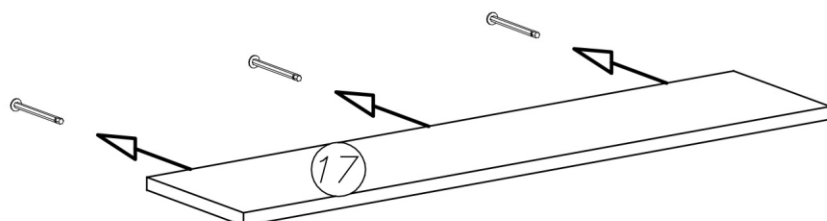
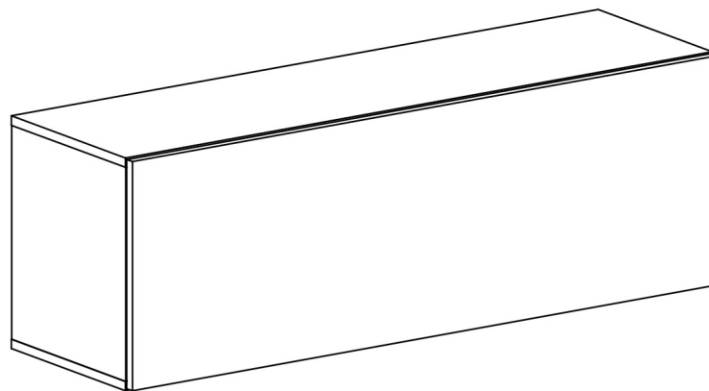
# XII

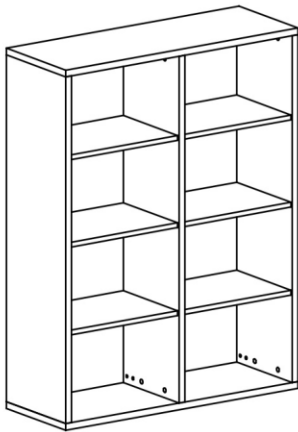
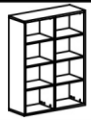


ca. 480mm ca. 480mm

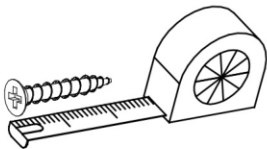
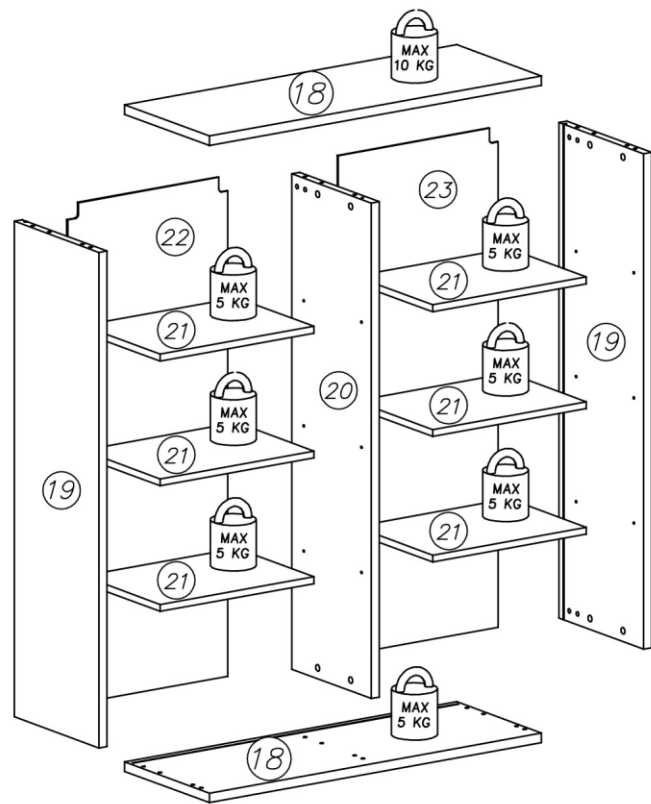



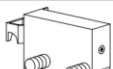



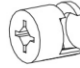


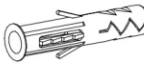

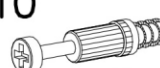
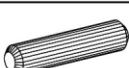


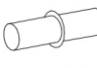
# XIII

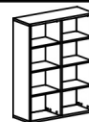




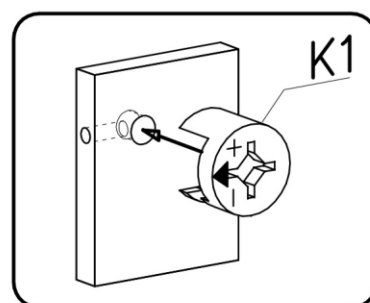
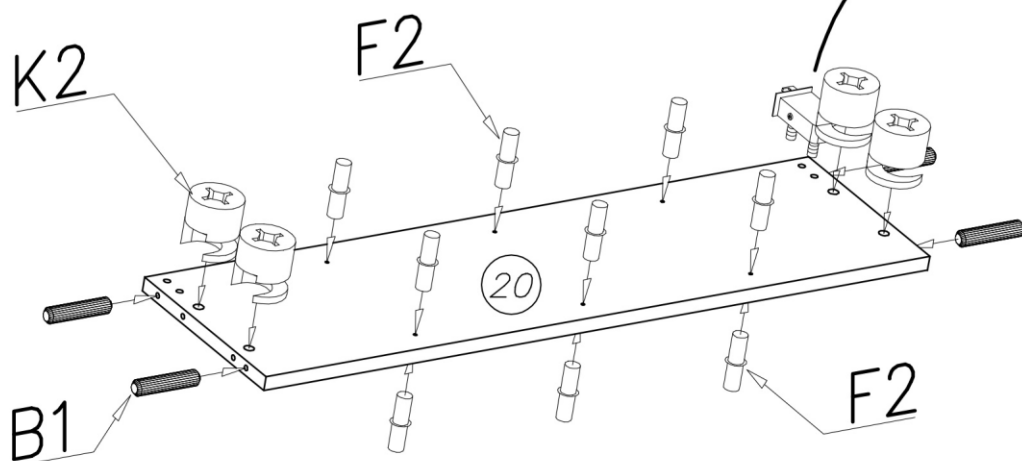
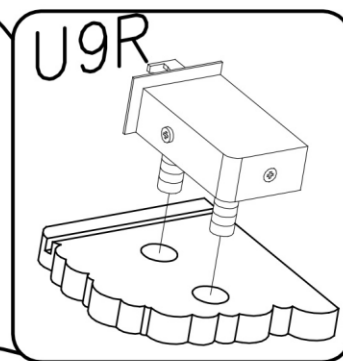
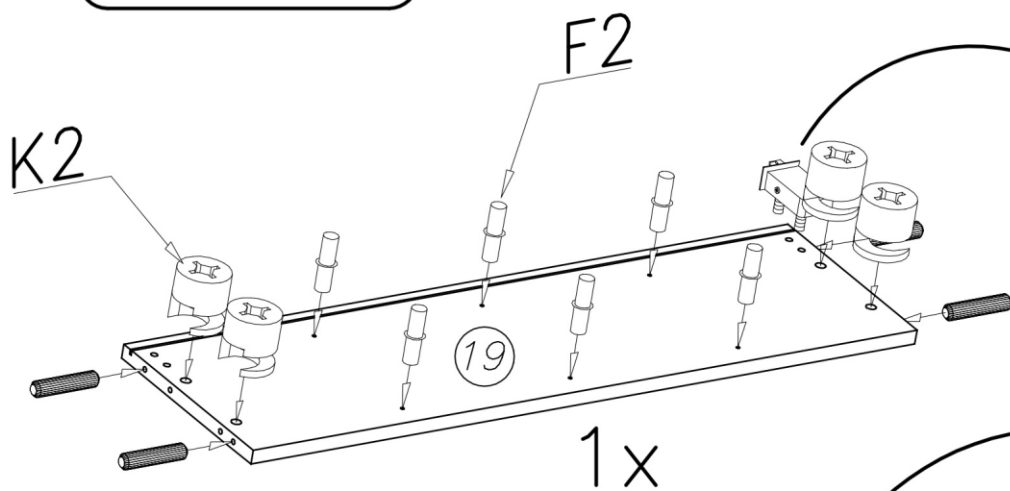
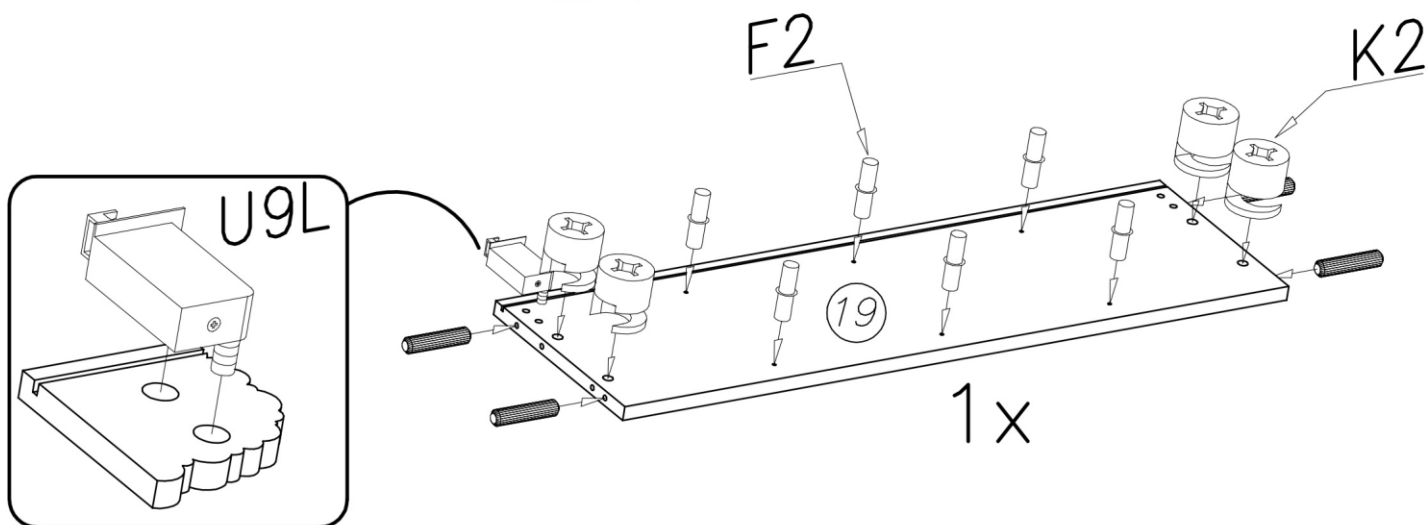
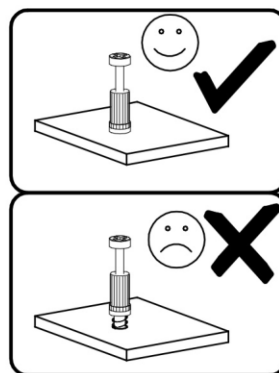
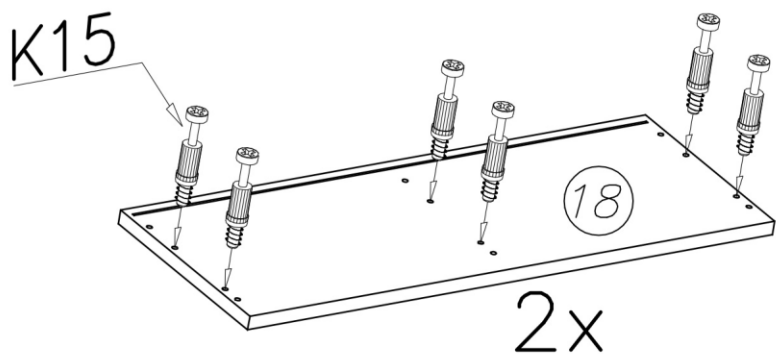
nr	L[mm]	B[mm]	T[mm]		
18	901	328	22	2	5/5
19	1140	328	22	2	4/5
20	1140	328	22	1	4/5
21	417	300	22	6	5/5
22	1152	434	3	1	2/5
23	1152	434	3	1	2/5



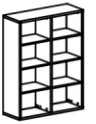
S2  x...(10)	U9L  x...(1)	U9R  x...(2)	U7  x...(3)	U10L  x...(1)
K2  ø15x16 x...(12)	I1  x...(16)	I10  ø10 x...(4)	U8  ø10x60 x...(3)	U10R  x...(2)
K10  x...(12)	B1  ø8x35 x...(12)	G34  3,5x16 x...(10)	I7  ø18 x...(12)	F2  x...(24)



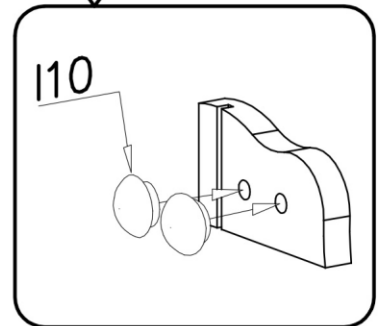
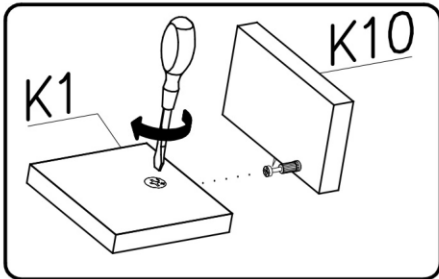
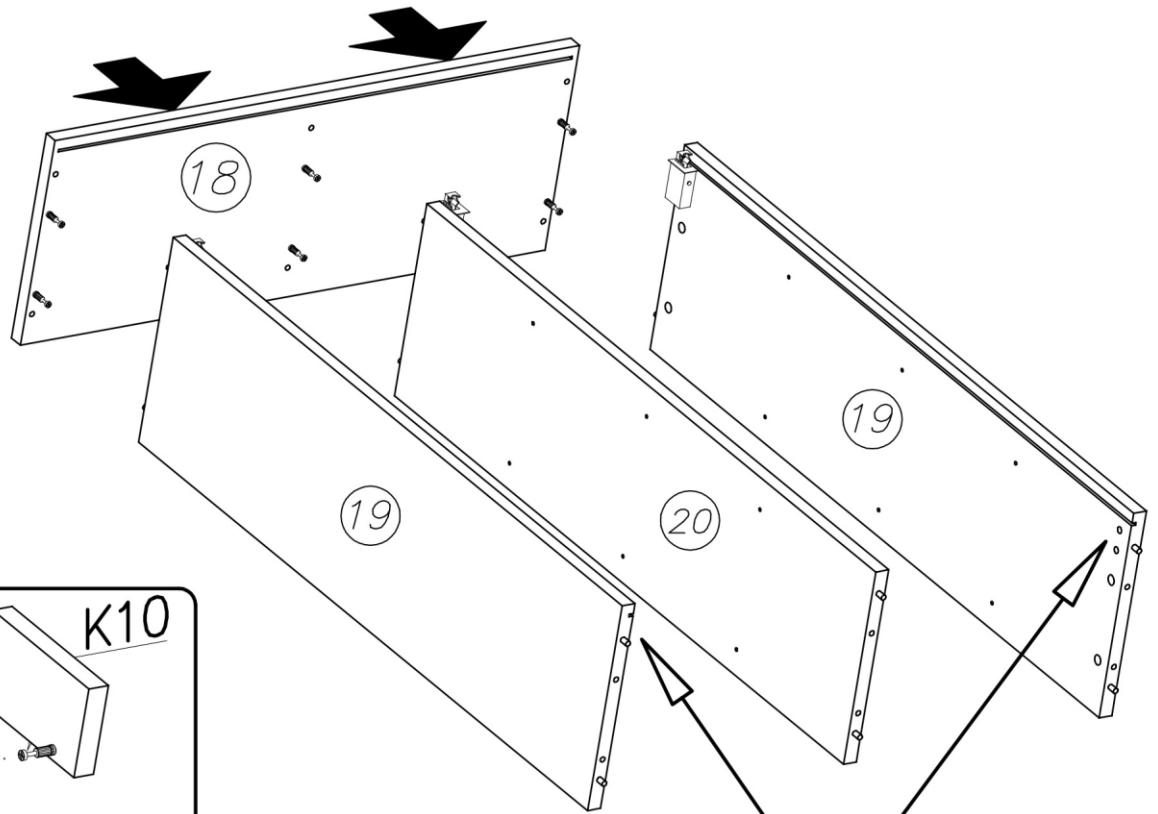
I



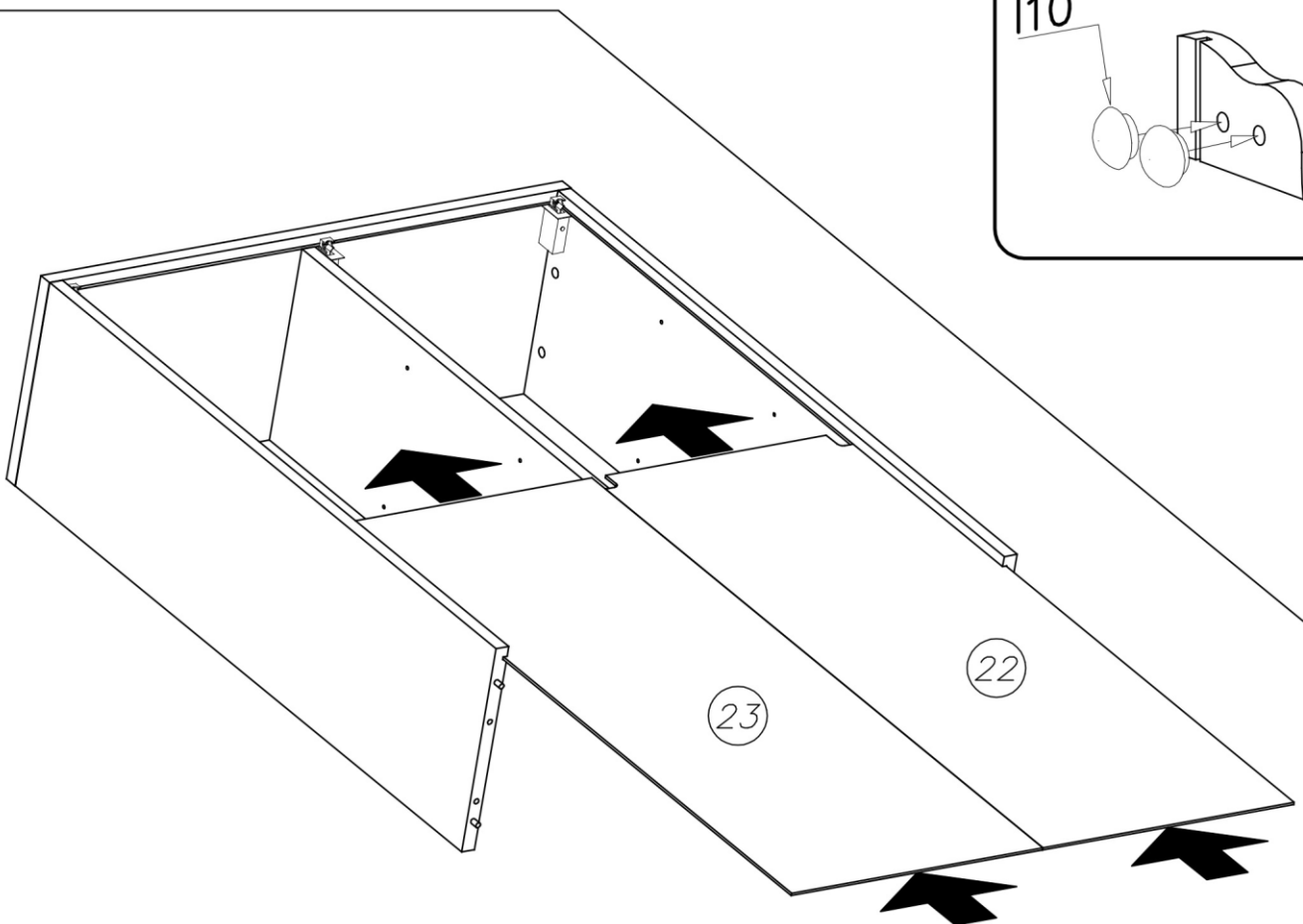


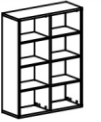


II

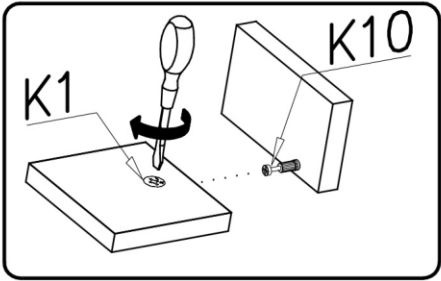
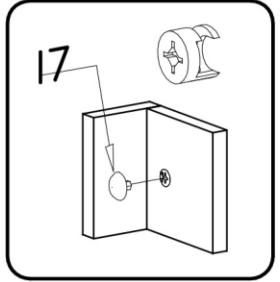
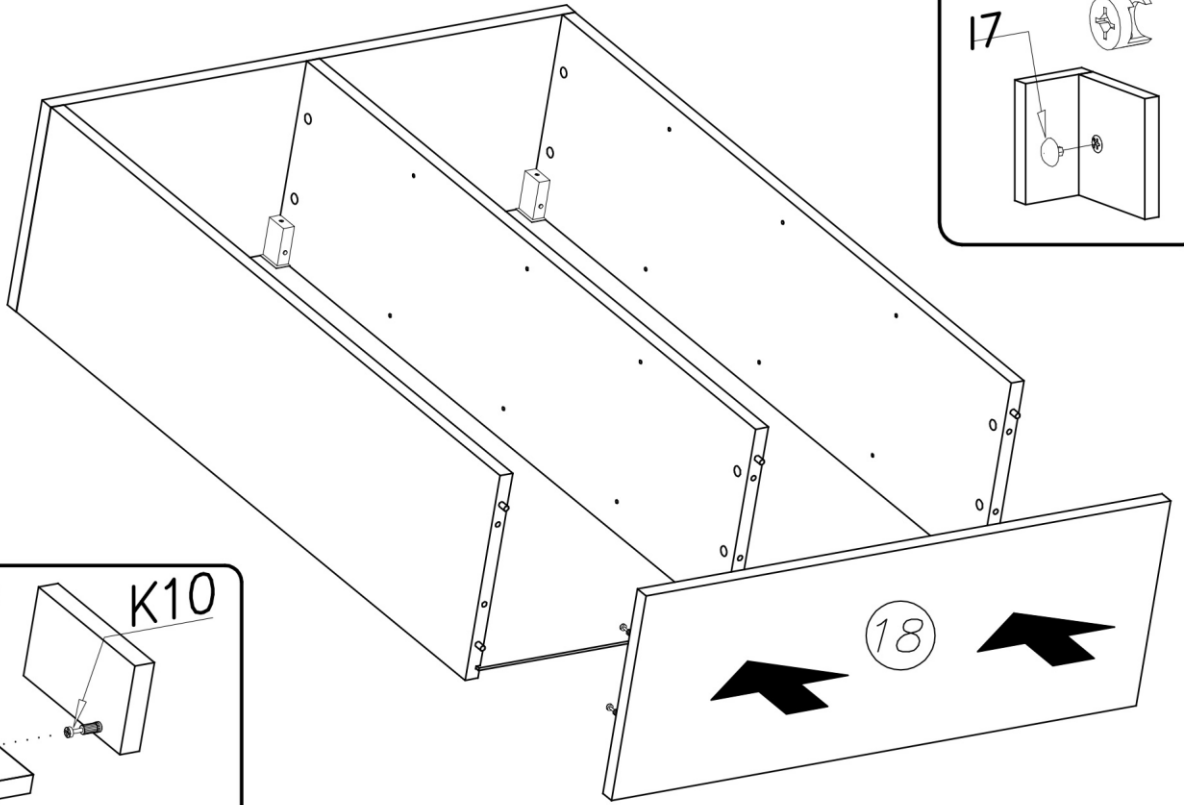


III



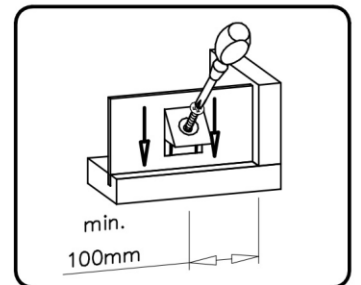
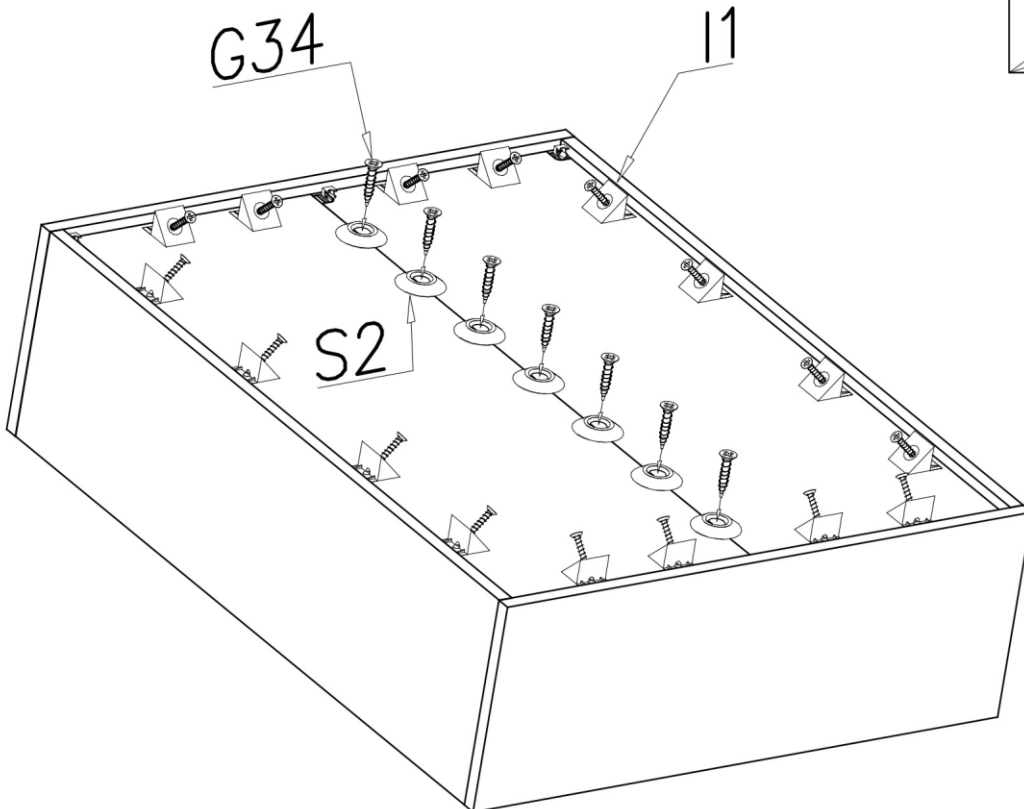
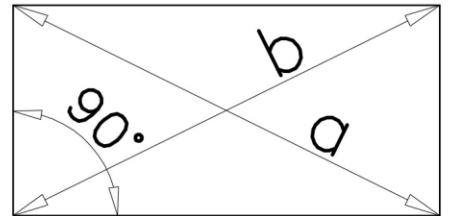


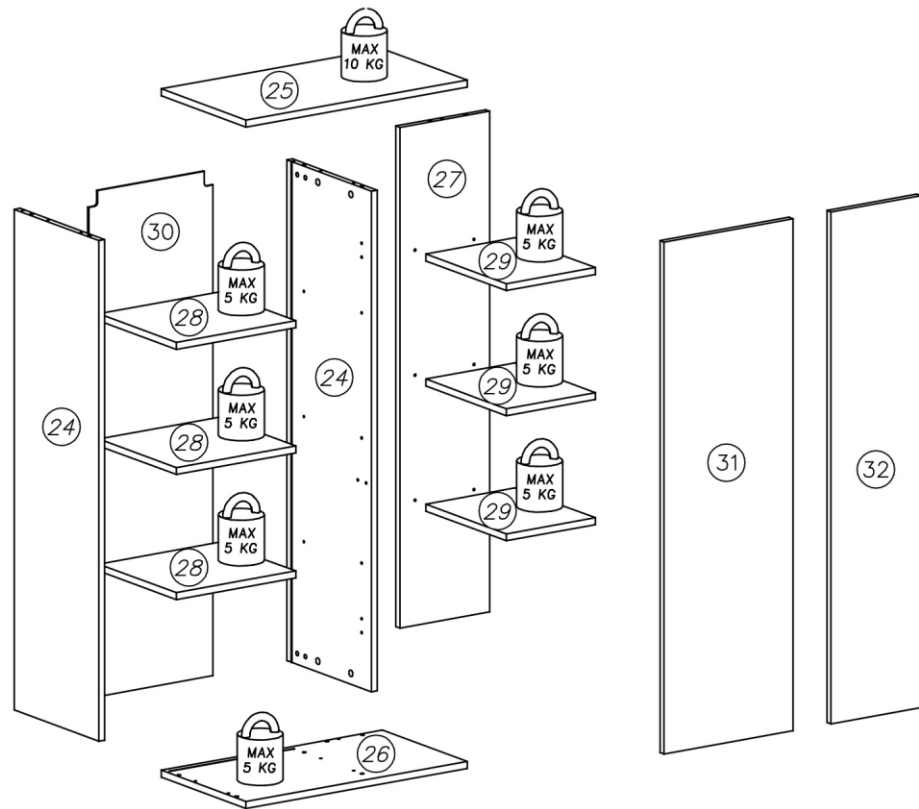
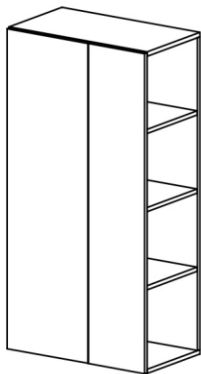
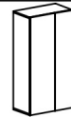
# IV



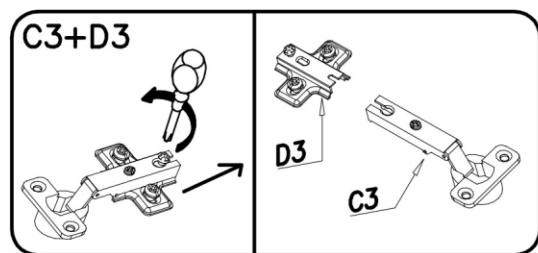
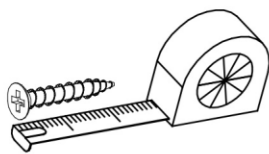
# V






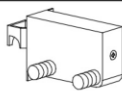
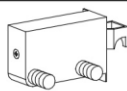


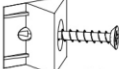

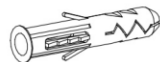
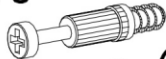

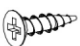
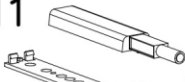
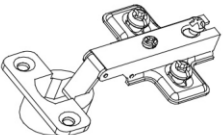

$a=b$

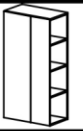




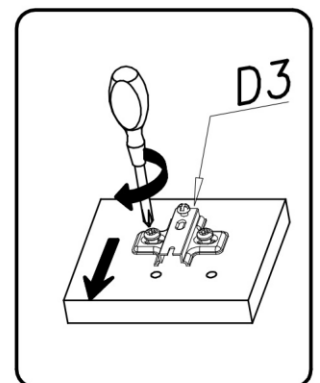
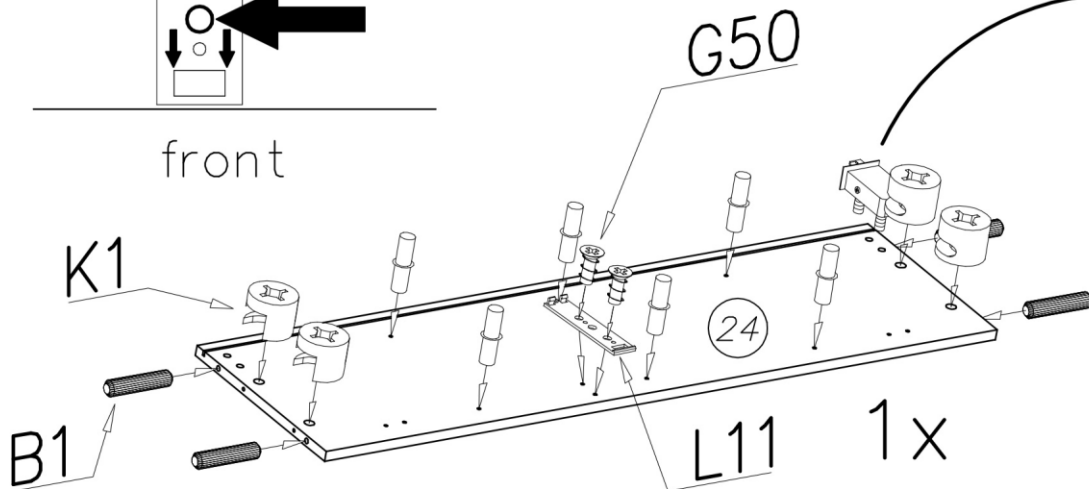
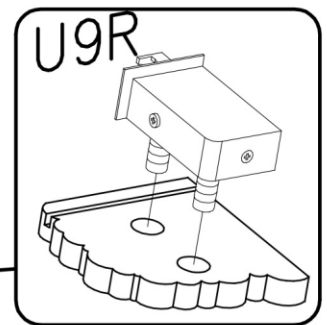
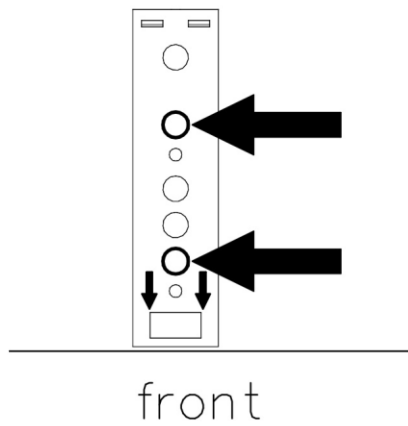
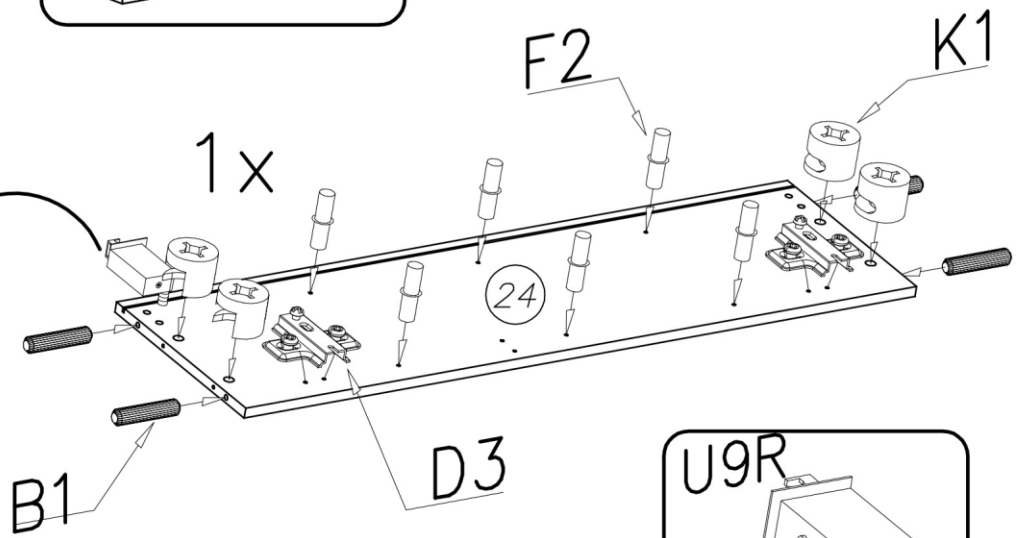
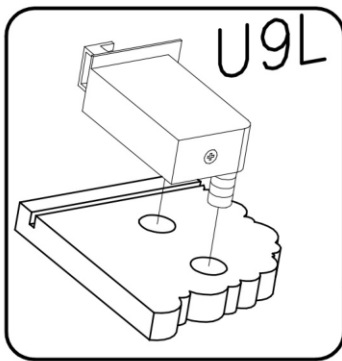
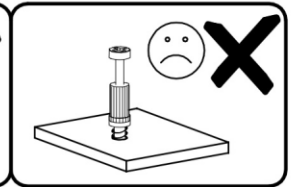
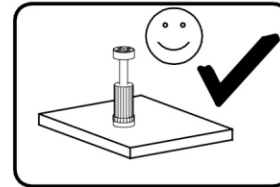
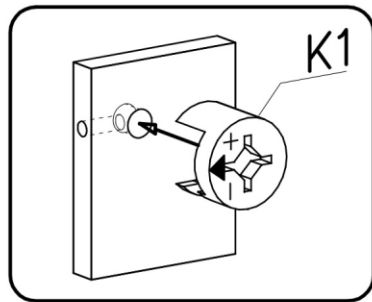
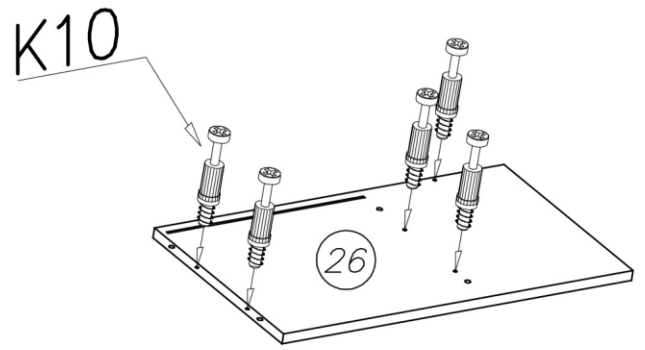
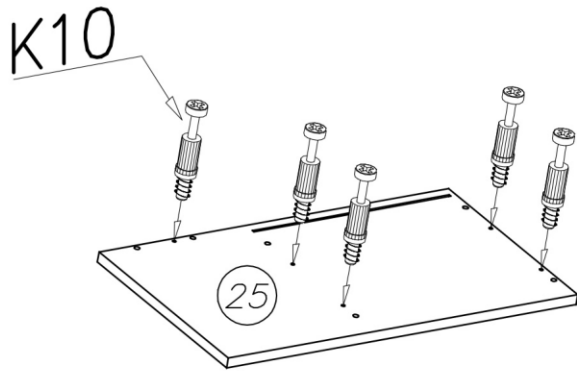
nr	L[mm]	B[mm]	T[mm]	Menge	Colli
24	1152	328	16	2	4/5
25	600	328	16	1	5/5
26	600	328	16	1	5/5
27	1152	246	16	1	4/5
28	320	308	16	1	2/5
28	320	308	16	2	5/5
29	244	311	16	3	5/5
30	1164	332	3	1	4/5
31	1178	341	16	1	4/5
32	1178	252	16	1	4/5

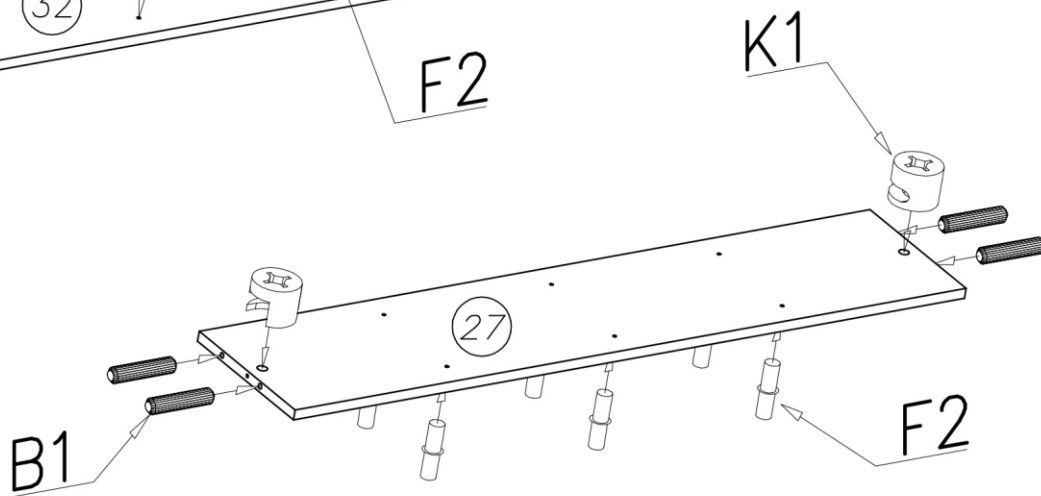
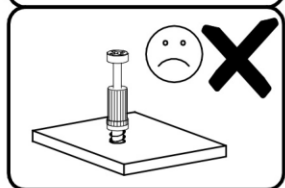
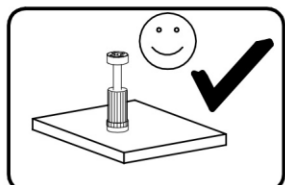
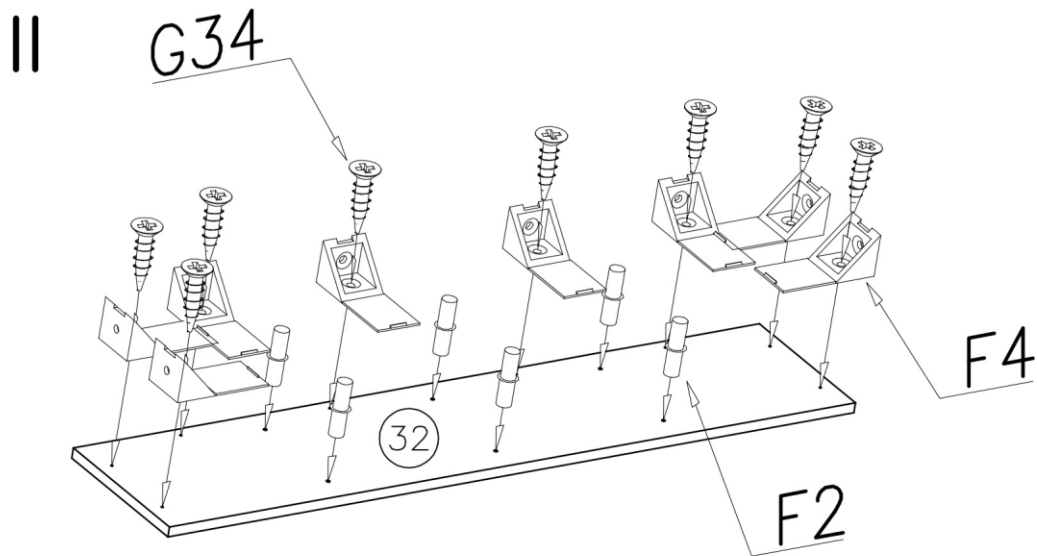


U10L  x...(1)	I7  ø18 x...(10)	F2  x...(24)	F4  x...(8)
U10R  x...(1)	U9L  x...(1)	U9R  x...(1)	U7  x...(2)
K1  ø15x12 x...(10)	I1  x...(10)	I10  ø10 x...(4)	U8  ø10x60 x...(2)
K10  x...(10)	B1  ø8x35 x...(12)	G34  3,5x16 x...(14)	L11  x...(1)
			C3+D3  x...(2)
			Z35PR x...(2)
			G50  6x13 x...(2)

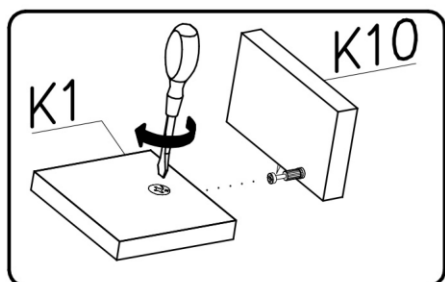
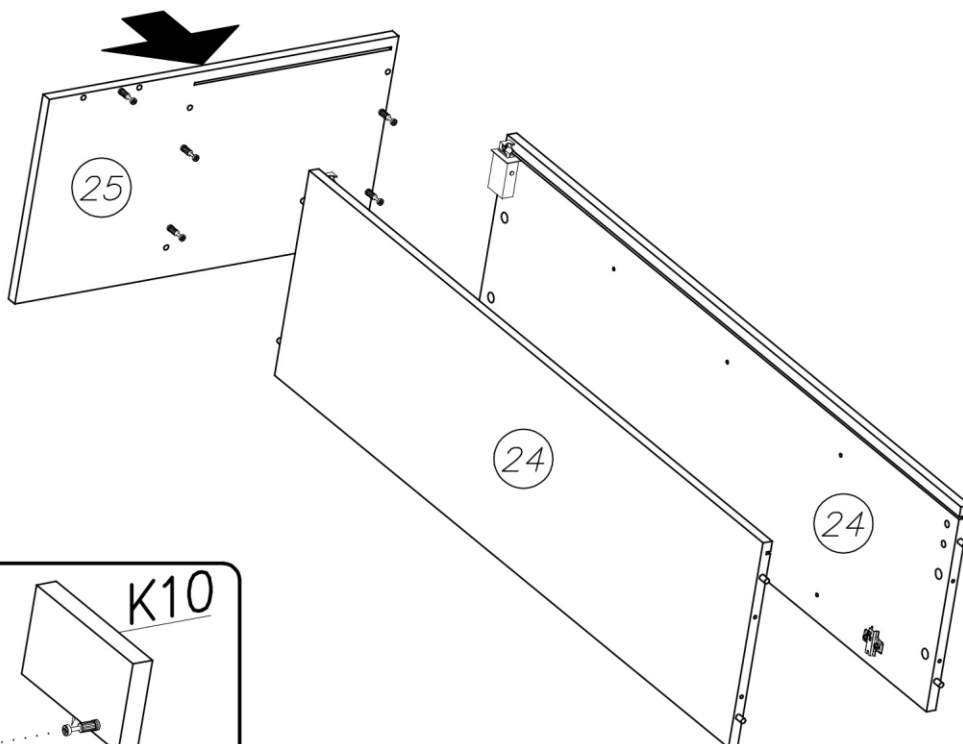


I



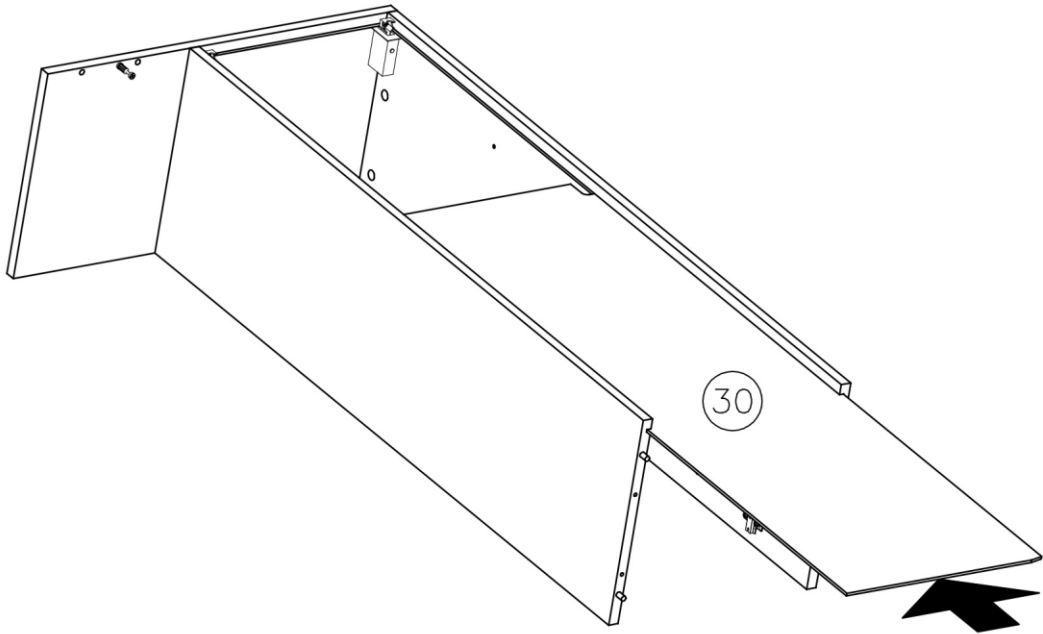


III

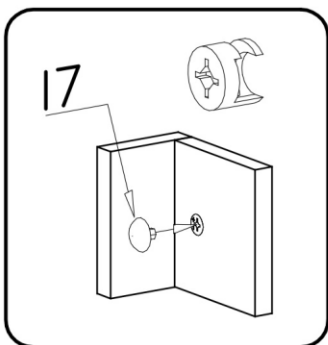
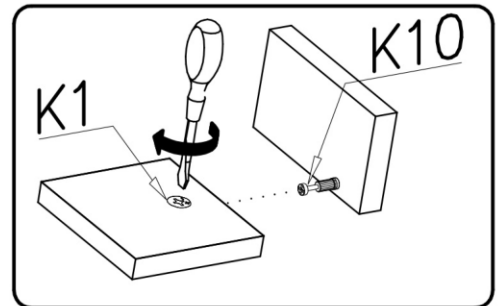
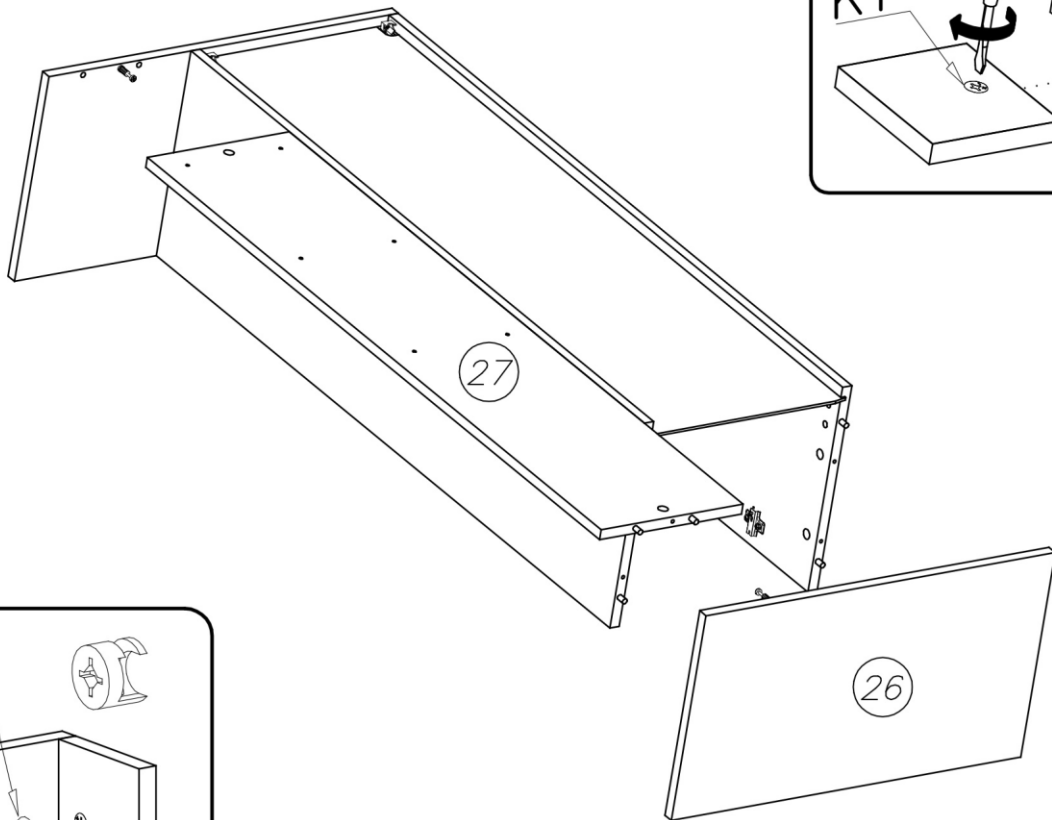


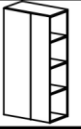


# IV

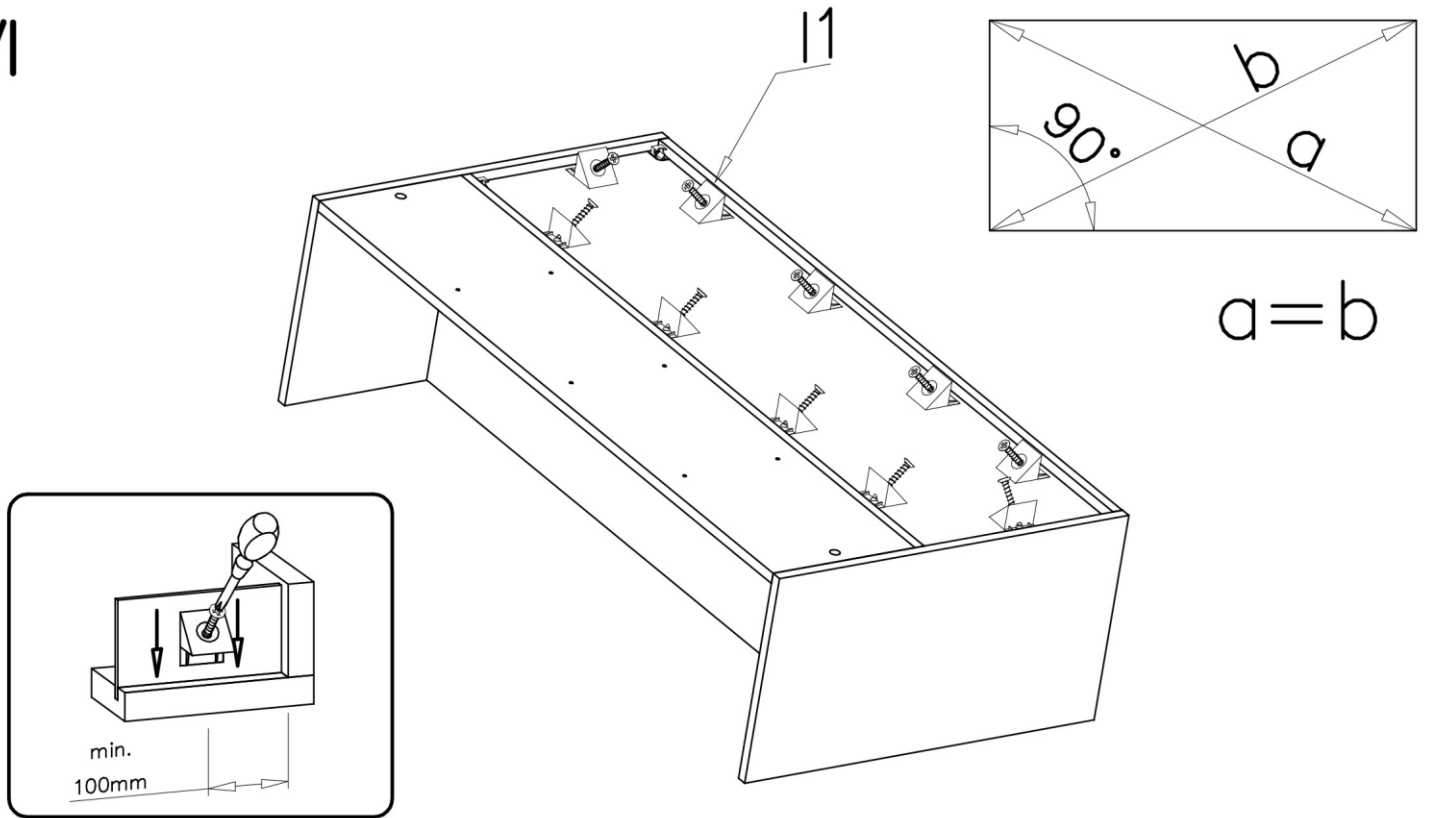


# V

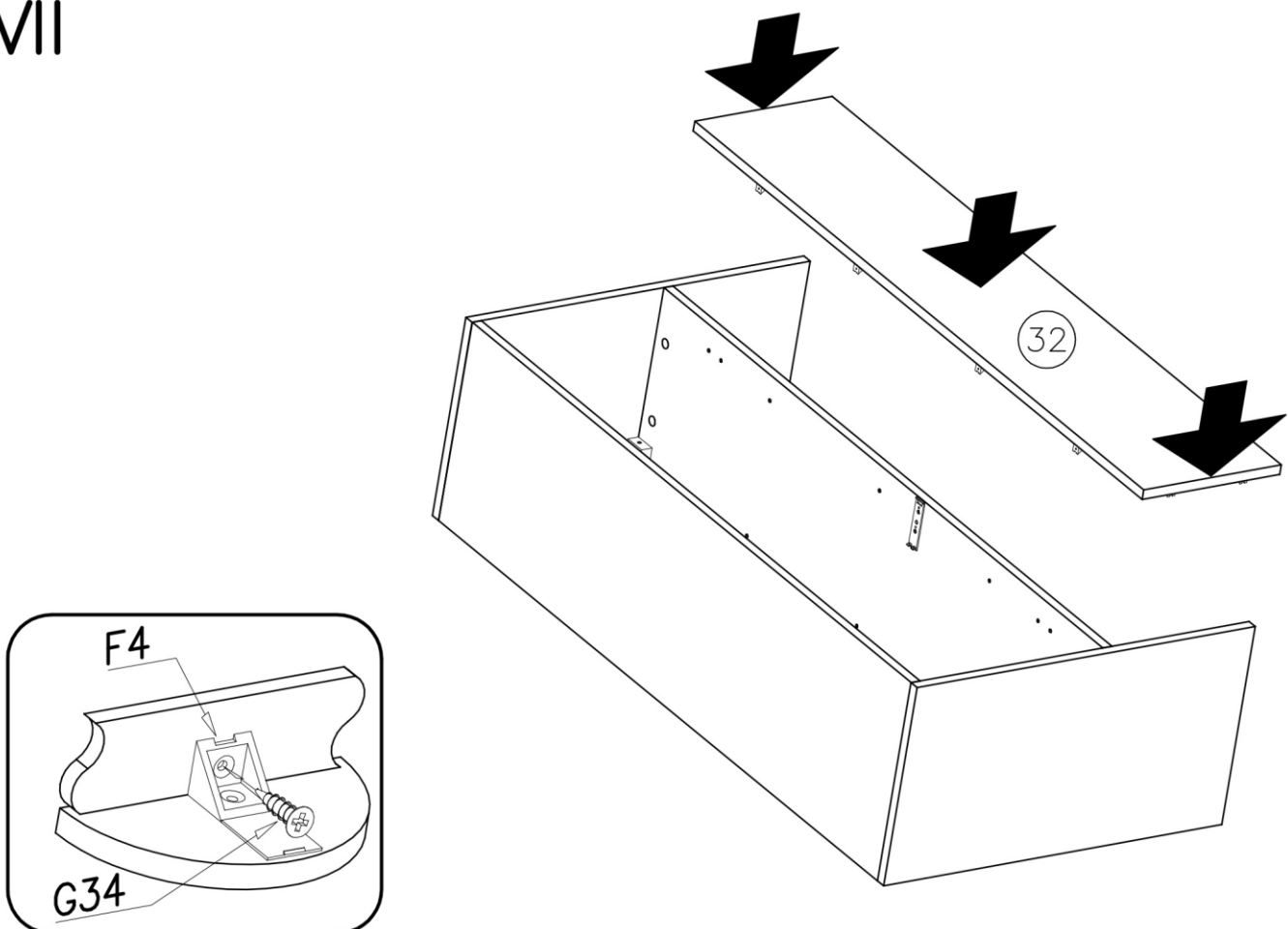


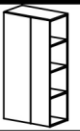


VI

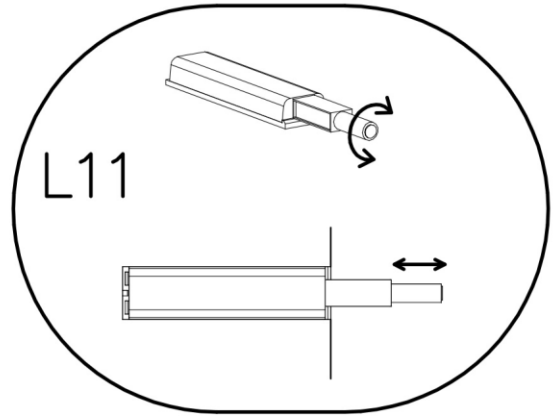
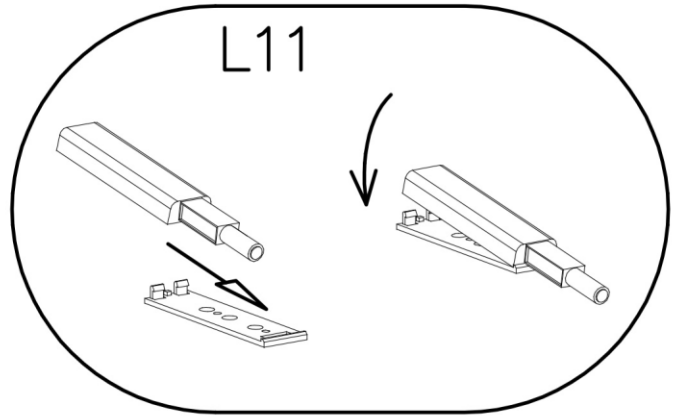
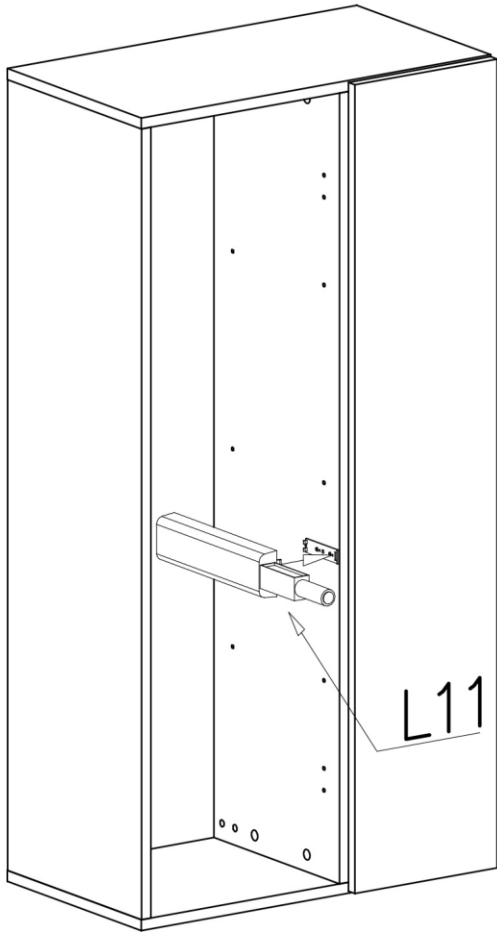


VII

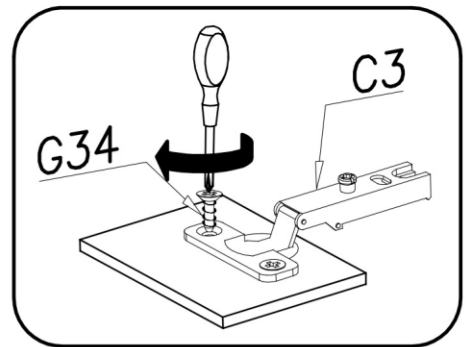
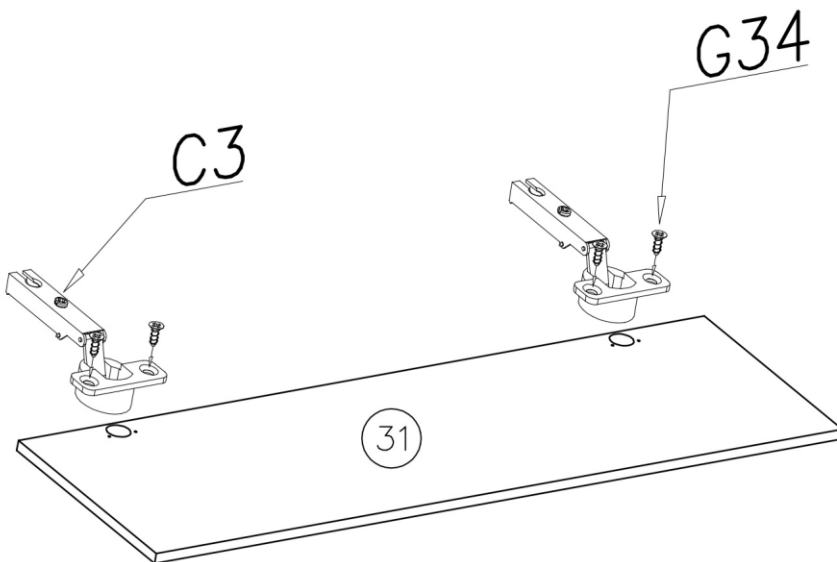




# VIII



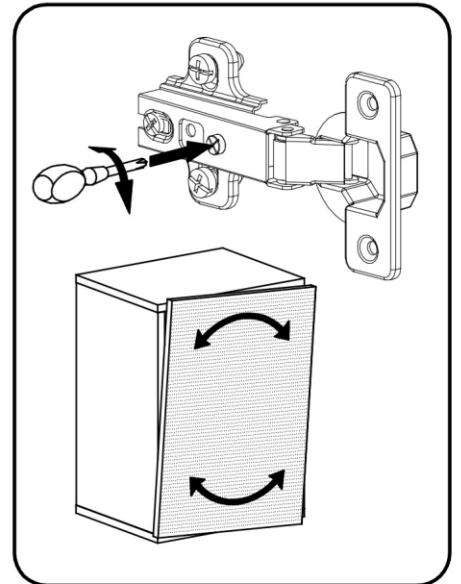
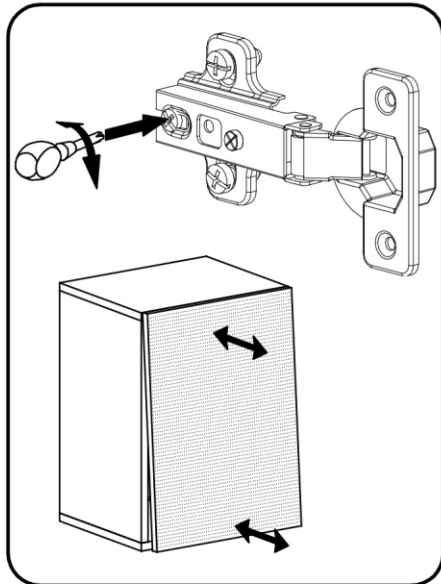
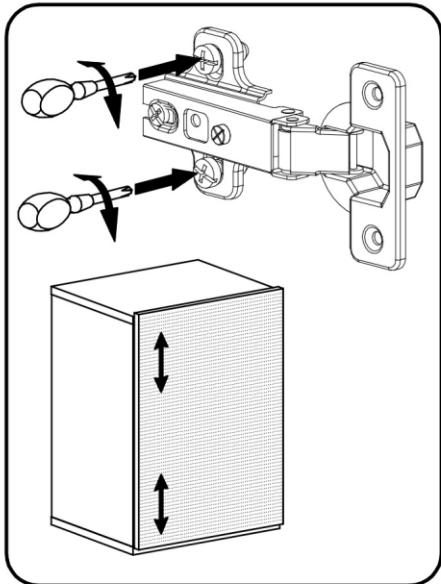
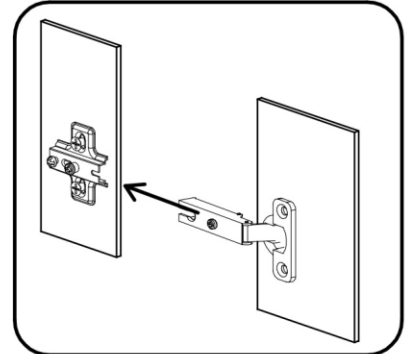
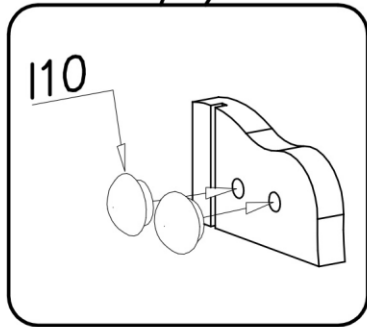
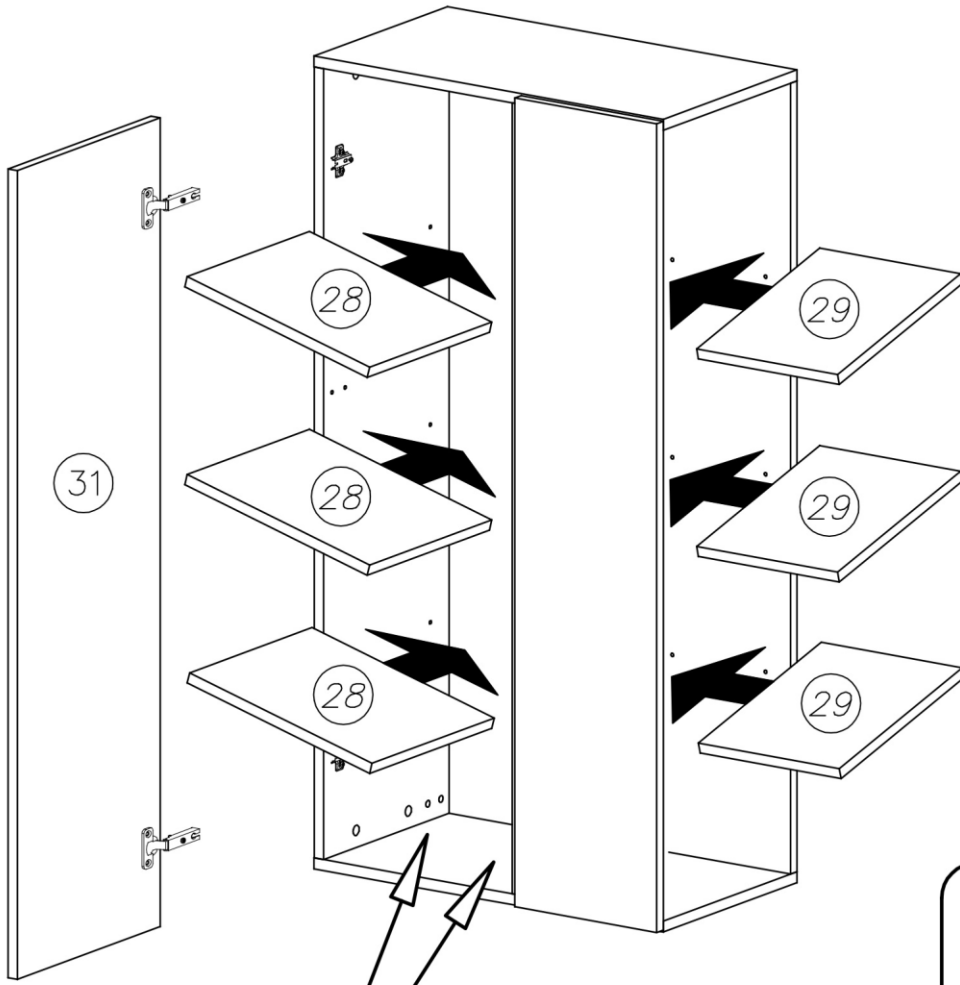
# IX

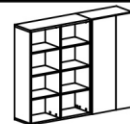




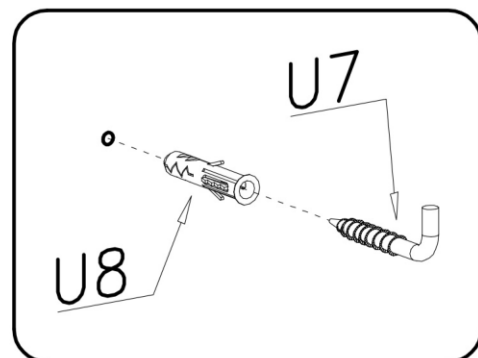
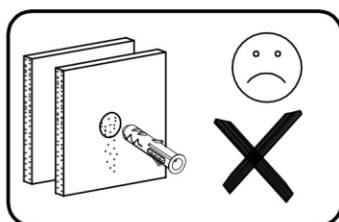
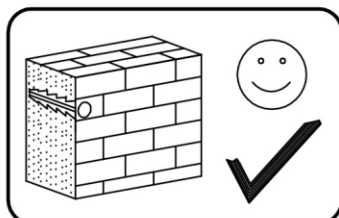
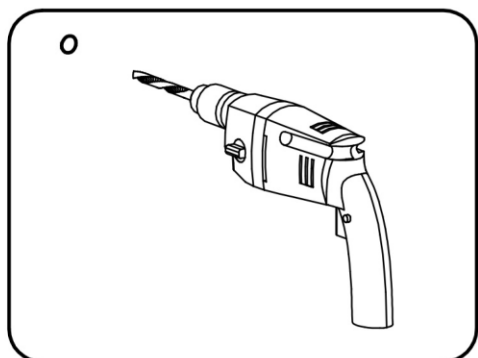
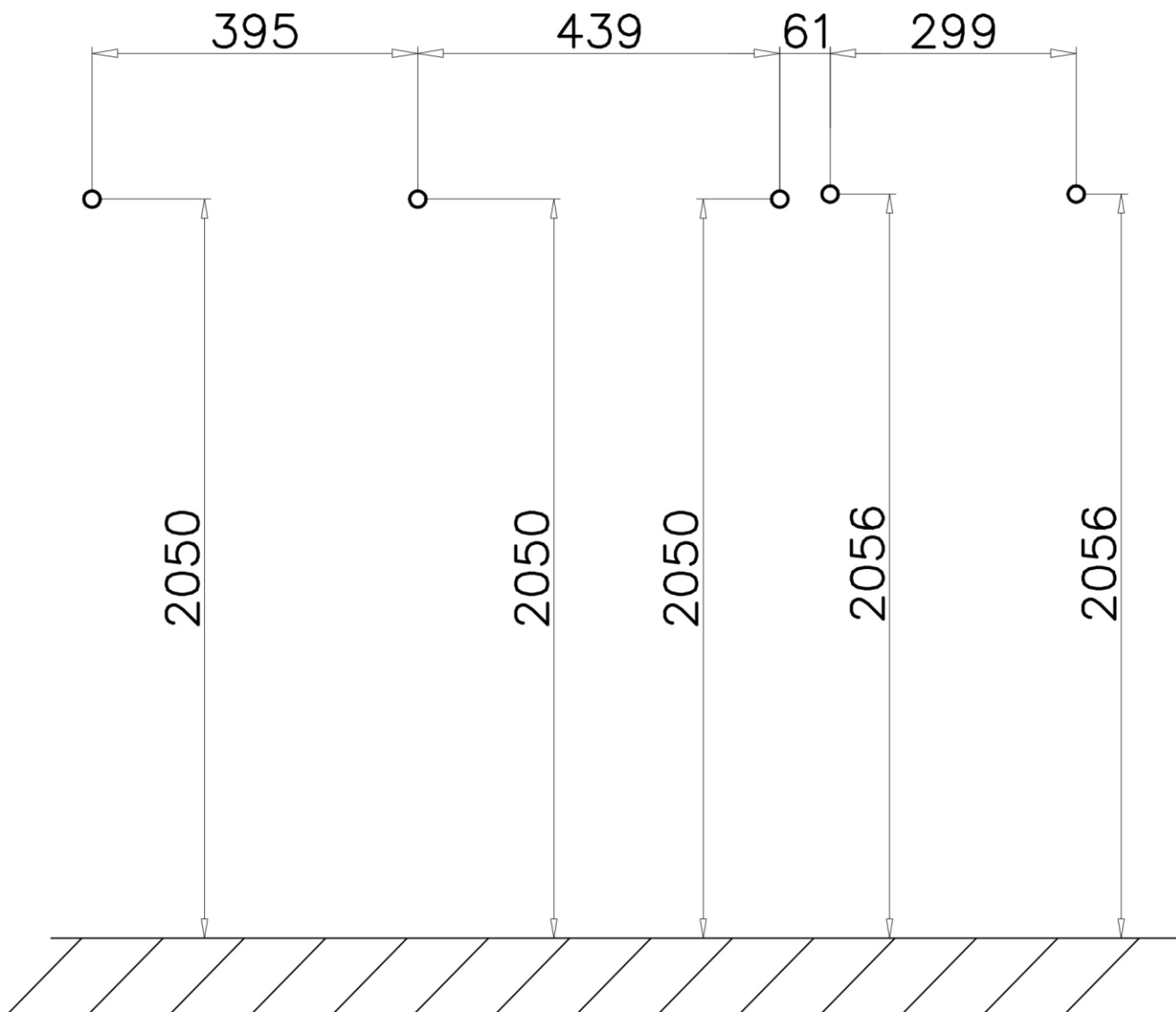


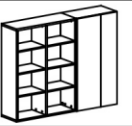
X





XI





# XII

