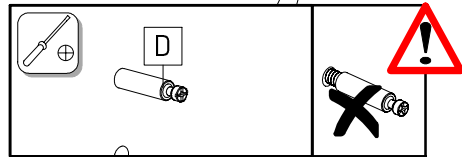
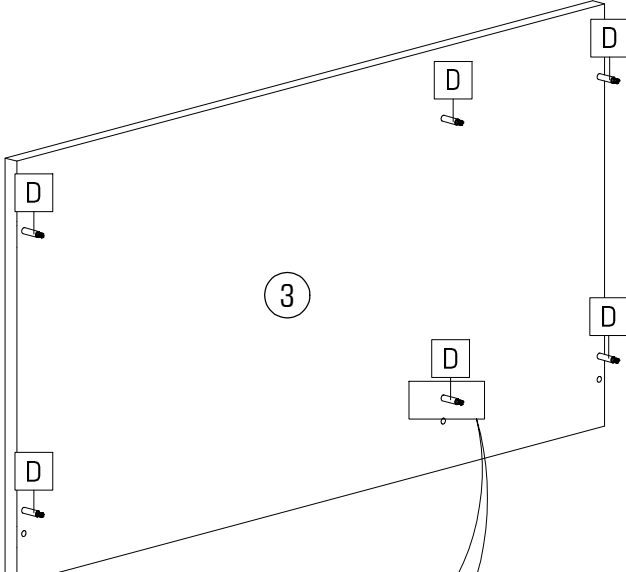
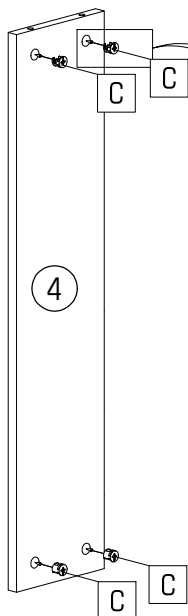
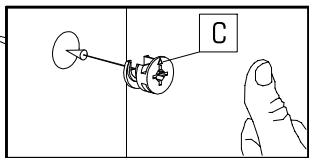
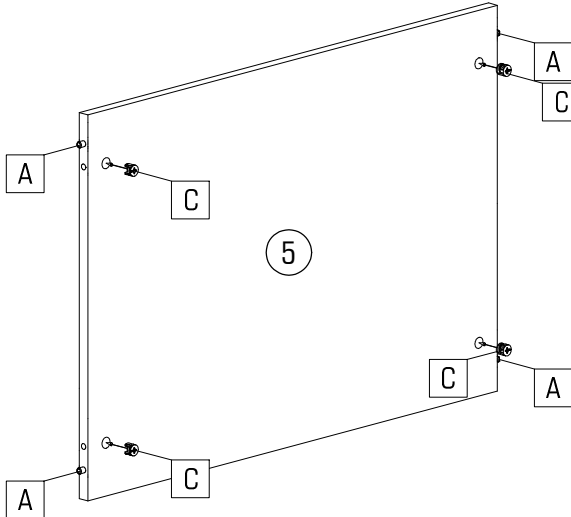
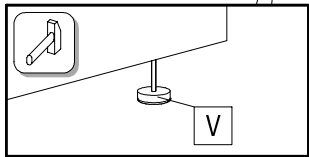
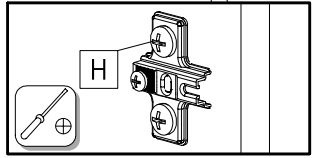
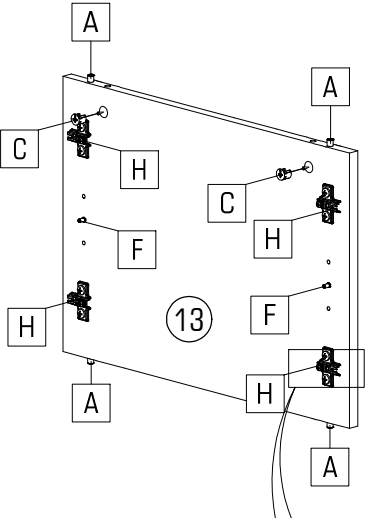
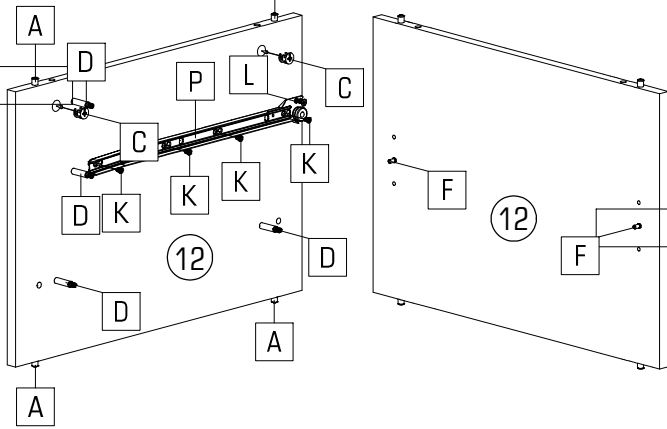
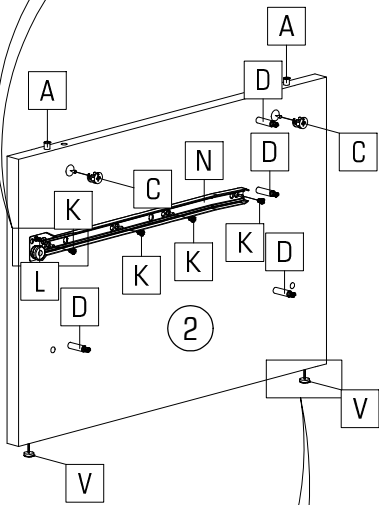
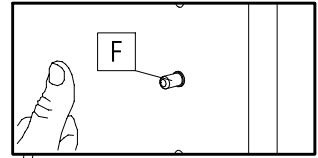
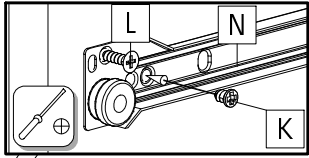
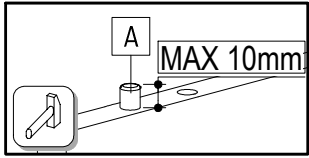
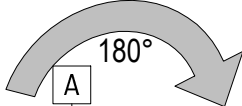

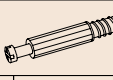
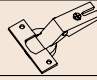
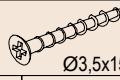
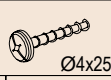
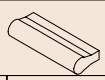
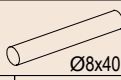
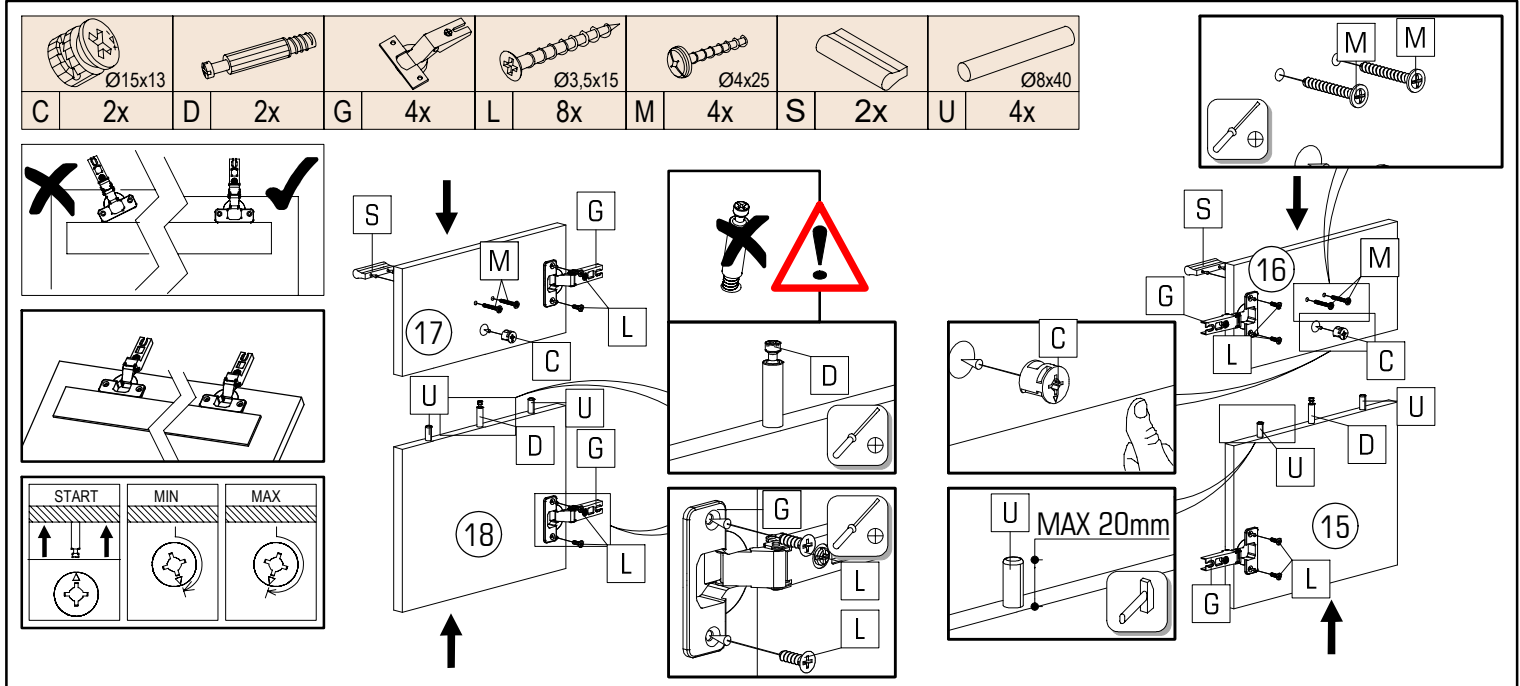
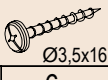
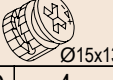
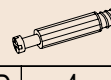
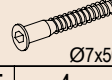
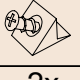
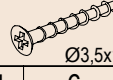
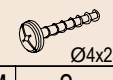
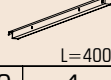
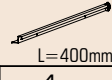
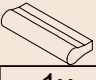
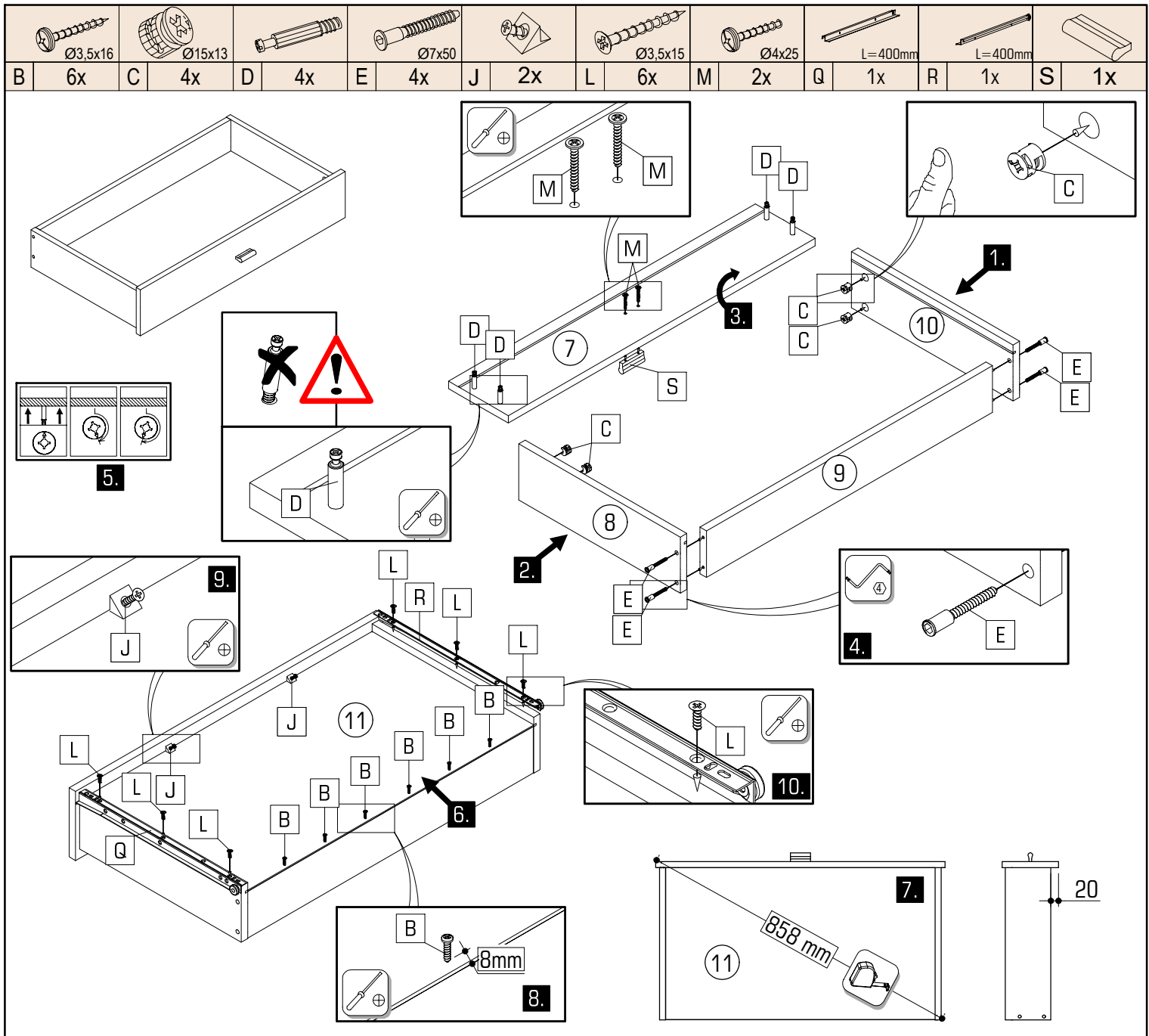

A	14x	C	14x	D	14x	F	4x	H	4x
K	8x	L	2x	N	1x	P	1x	V	4x





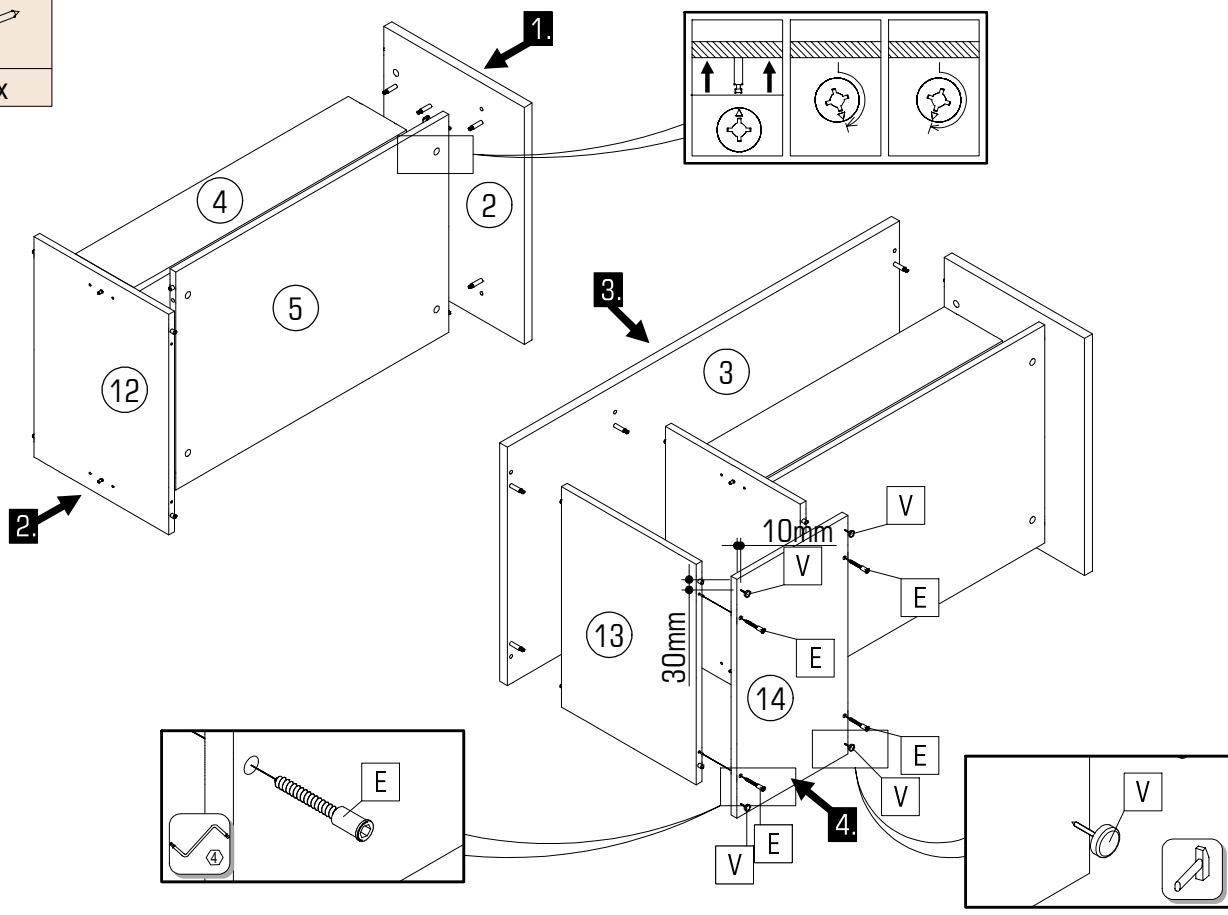
 C 2x	 D 2x	 G 4x	 L 8x	 M 4x	 S 2x	 U 4x
--	---	---	---	---	---	--






 B 6x	 C 4x	 D 4x	 E 4x	 J 2x	 L 6x	 M 2x	 Q 1x	 R 1x	 S 1x
--	---	---	---	---	---	--	---	---	---



	
Ø7x50	
E 4x	V 4x



		
W 10x	X 4x	Y 2x

