

DELIMARO

	1100	1/4
	430	
	580	
		mm

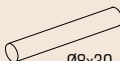

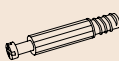
	60min		PZ2	0,5 kg	3m	4
--	-------	--	-----	--------	----	---


20 kg

ID	ID			
15751	②	348*576*16	2x	1/1
15752	③	485*530*16	1x	1/1
15753	④	348*536*16	2x	1/1
15754	⑤	234*530*16	1x	1/1
15755	⑥	1100*580*16	1x	1/1
15756	⑦	490*580*16	1x	1/1
15757	⑧	360*580*16	1x	1/1
15758	⑨	250*580*16	1x	1/1
15759	⑩	315*530*16	1x	1/1
15760	⑪	357*342*16	2x	1/1

	22243.00 Ø3,5x15	22244.01 Ø3,5x16	22300.00 Ø7x50	22800.01 4	27000.00 Ø8x30		70013.01 Ø15x13	70021.01	
	A 8x	B 20x	C 8x	D 1x	E 30x	F 4x	G 20x	H 20x	J 16x
	36002.07	36002.07	30106.02						
K 6x	L 4x	M 4x	N 5x						

✓	✗	✓	✗	✓	✗	✓	✗	✗	✗
---	---	---	---	---	---	---	---	---	---

		
Ø8x30	Ø15x13	
E 6x	G 4x	H 12x

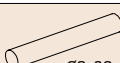

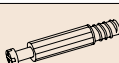


7

MAX 10mm

8

9




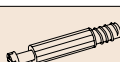
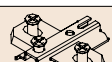
		
Ø8x30	Ø15x13	
E 16x	G 12x	H 4x

MAX 10mm

3

5

2 **2x**

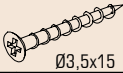
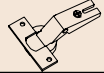
				
Ø8x30		Ø15x13		
E 8x	F 4x	G 4x	H 4x	M 4x

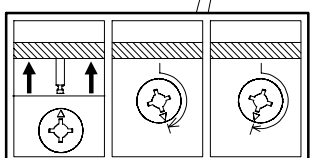
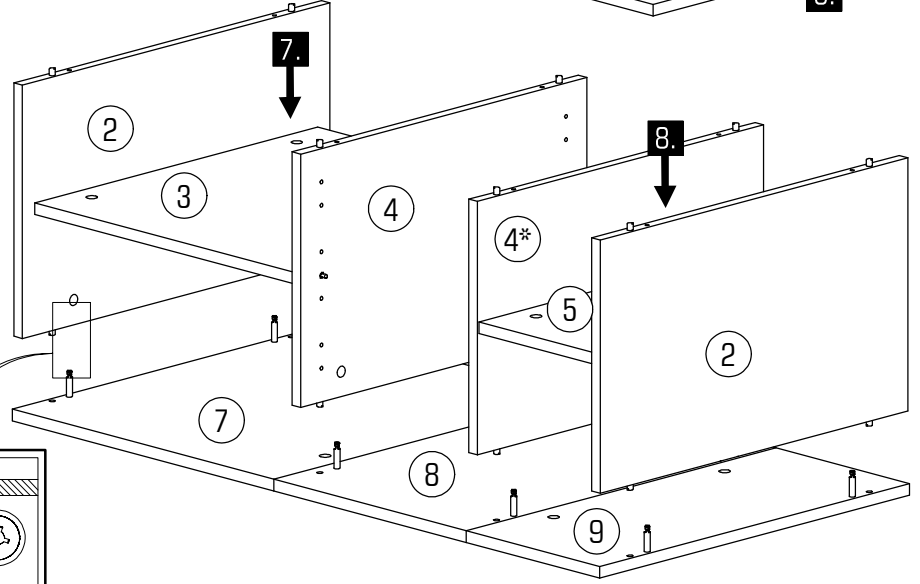
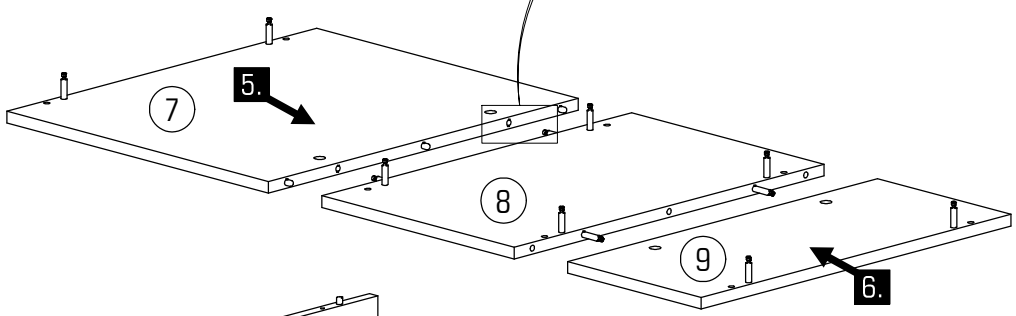
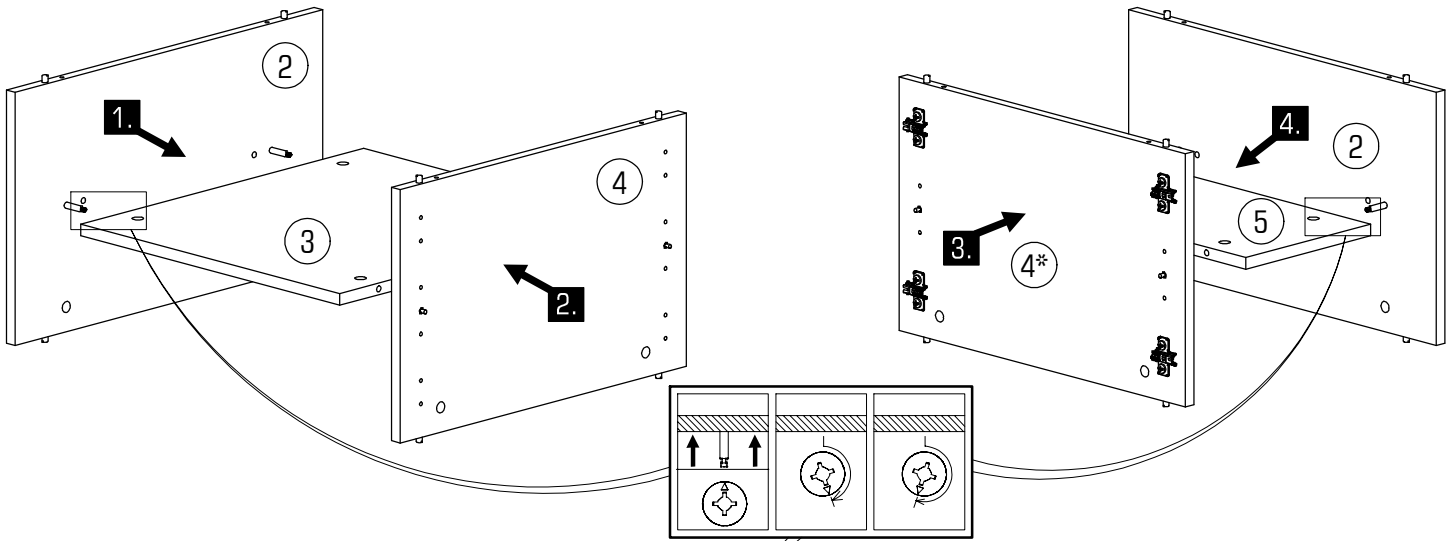
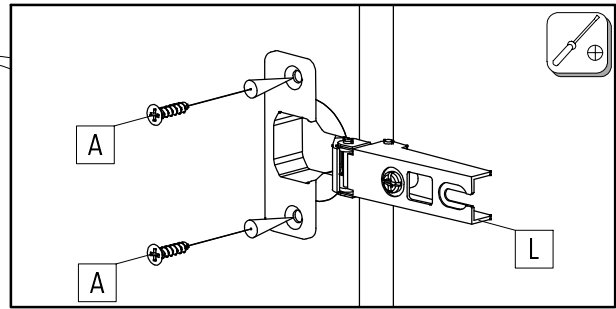
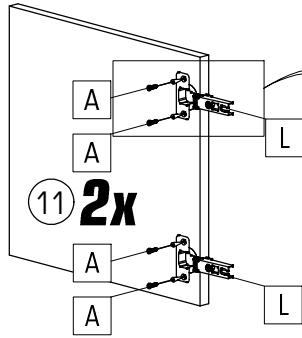
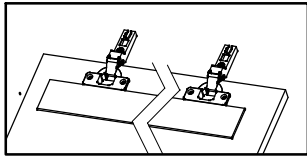
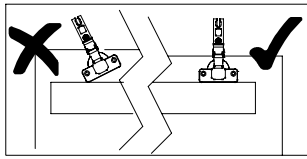
4*


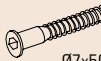



MAX 10mm

4

4 **2x**

	$\varnothing 3,5 \times 15$	
A	8x	L 4x



				
B	20x	C	8x	J
				16x
				K
				6x
				N
				5x

