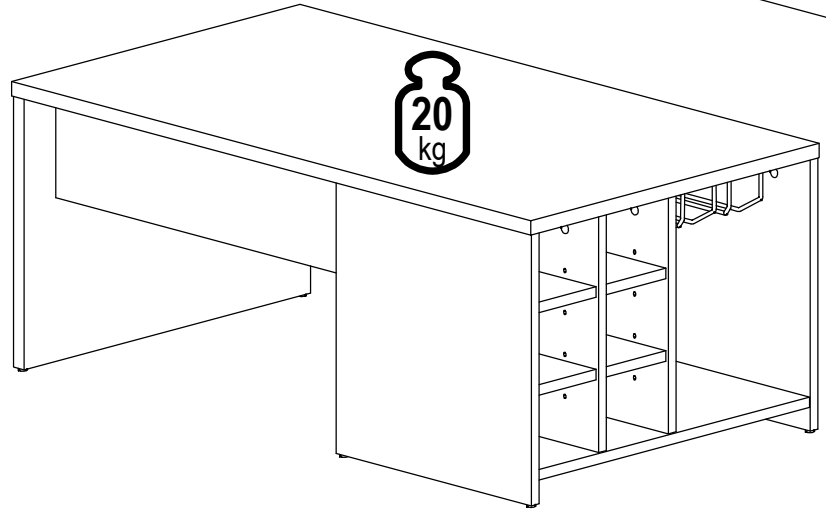
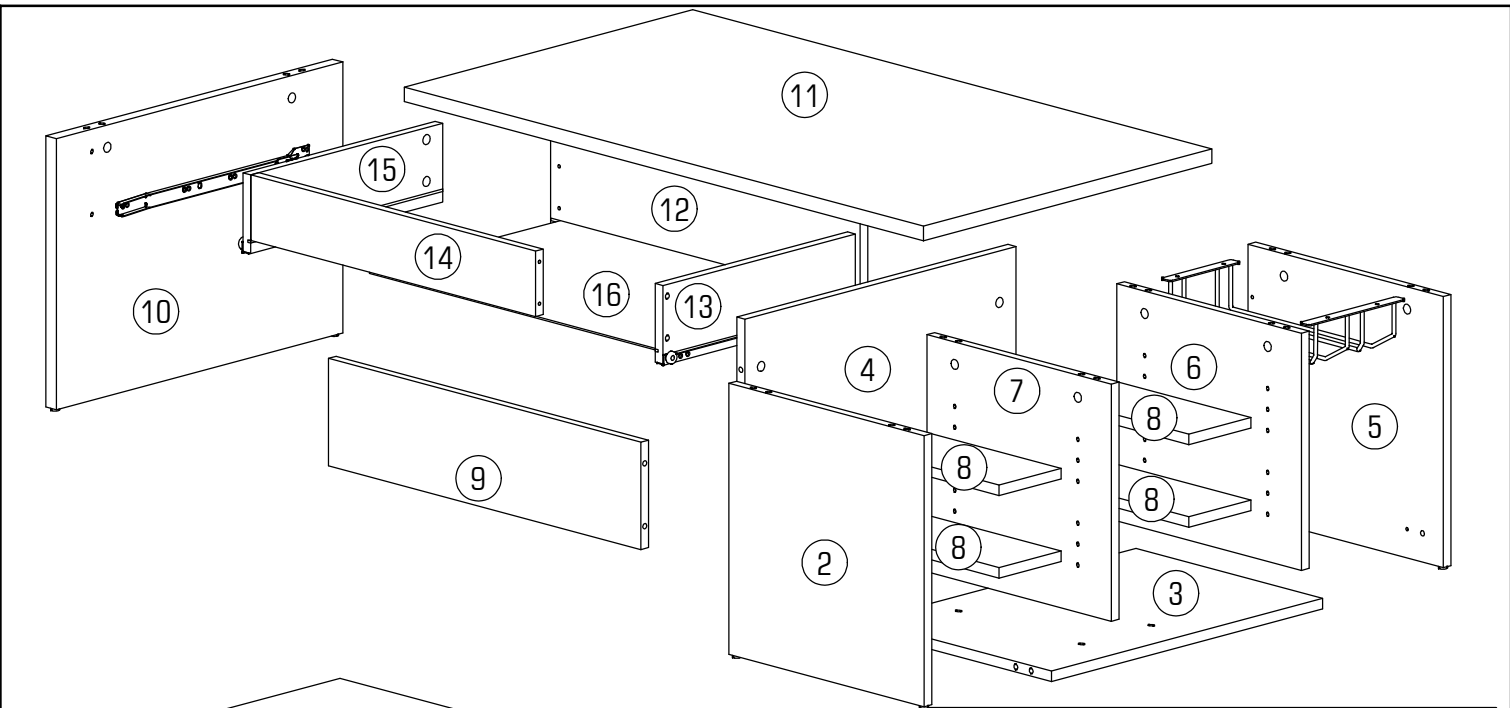


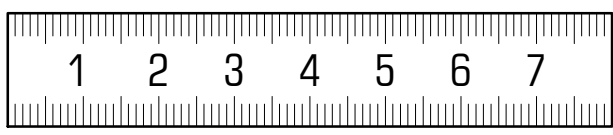
DARAH

| | | |
|--|------|------------|
| | 1080 | 1/4 |
| | 440 | |
| | 600 | |
| | | mm |

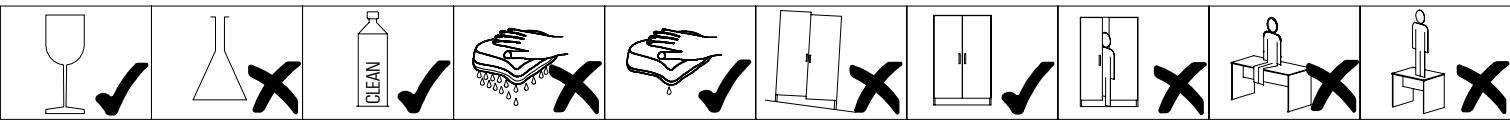
| | | | | | | |
|--|-------|--|-----|--------|----|---|
| | 60min | | PZ2 | 0,5 kg | 3m | 4 |
|--|-------|--|-----|--------|----|---|

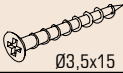
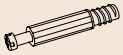



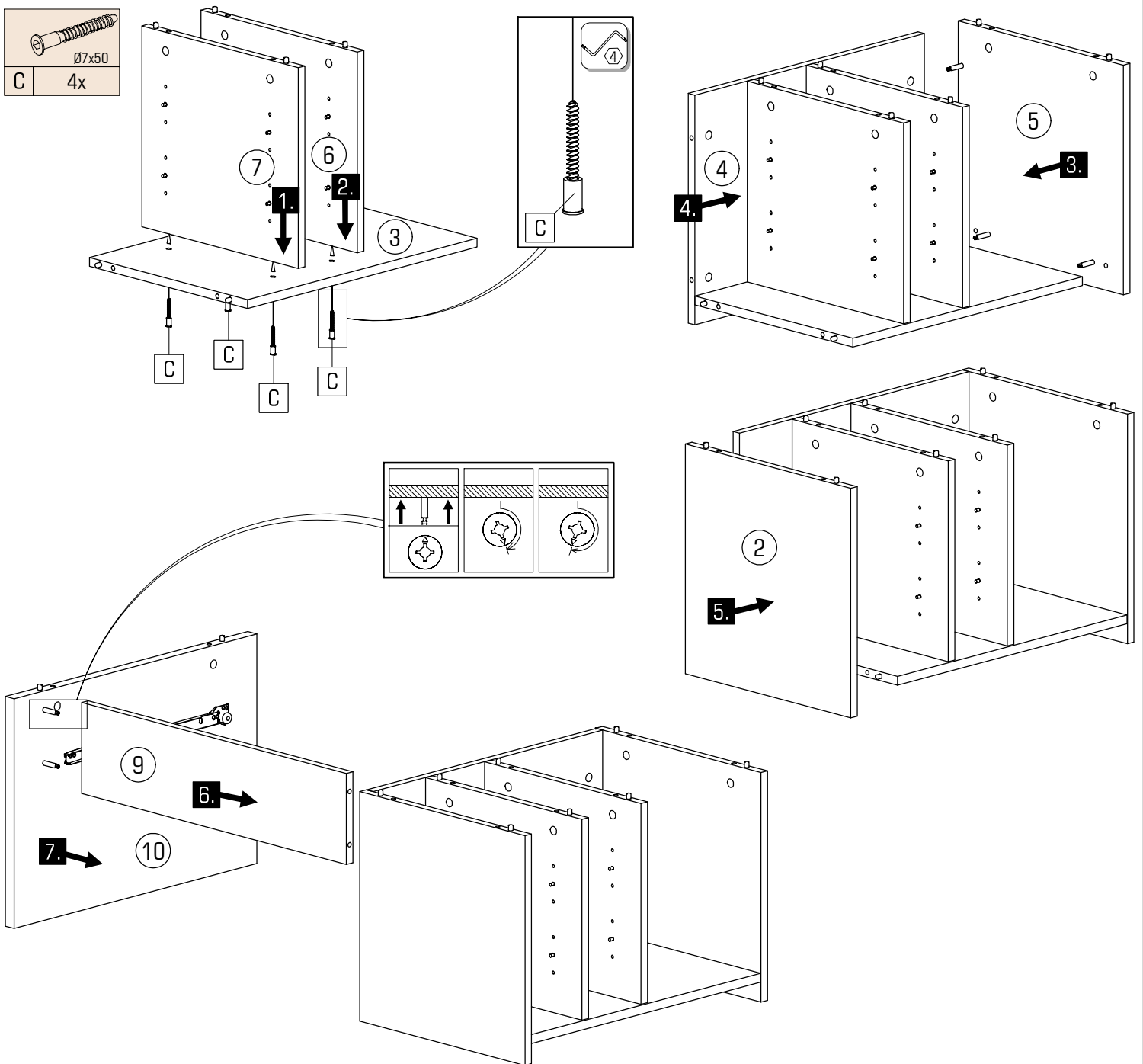
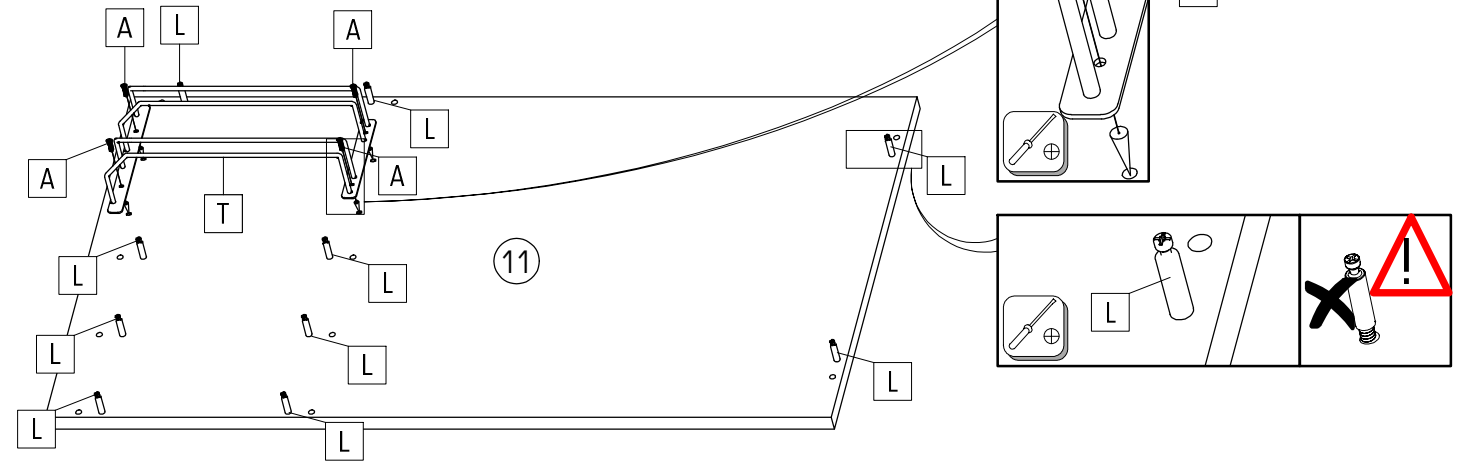
| ID | ID | | | | |
|-------|----|-------------|----|-----|--|
| 15704 | ② | 414*406*16 | 1x | 1/1 | |
| 15705 | ③ | 564*388*16 | 1x | 1/1 | |
| 15706 | ④ | 414*564*16 | 1x | 1/1 | |
| 15707 | ⑤ | 414*406*16 | 1x | 1/1 | |
| 15708 | ⑥ | 362*384*16 | 1x | 1/1 | |
| 15709 | ⑦ | 362*384*16 | 1x | 1/1 | |
| 15710 | ⑧ | 129*379*16 | 4x | 1/1 | |
| 15711 | ⑨ | 650*164*16 | 1x | 1/1 | |
| 15712 | ⑩ | 414*596*22 | 1x | 1/1 | |
| 15713 | ⑪ | 1080*600*22 | 1x | 1/1 | |
| 15714 | ⑫ | 644*148*16 | 1x | 1/1 | |
| 14054 | ⑬ | 400*120*16 | 1x | 1/1 | |
| 15716 | ⑭ | 592*100*16 | 1x | 1/1 | |
| 14055 | ⑮ | 400*120*16 | 1x | 1/1 | |
| 15718 | ⑯ | 406*602*2,5 | 1x | 1/1 | |

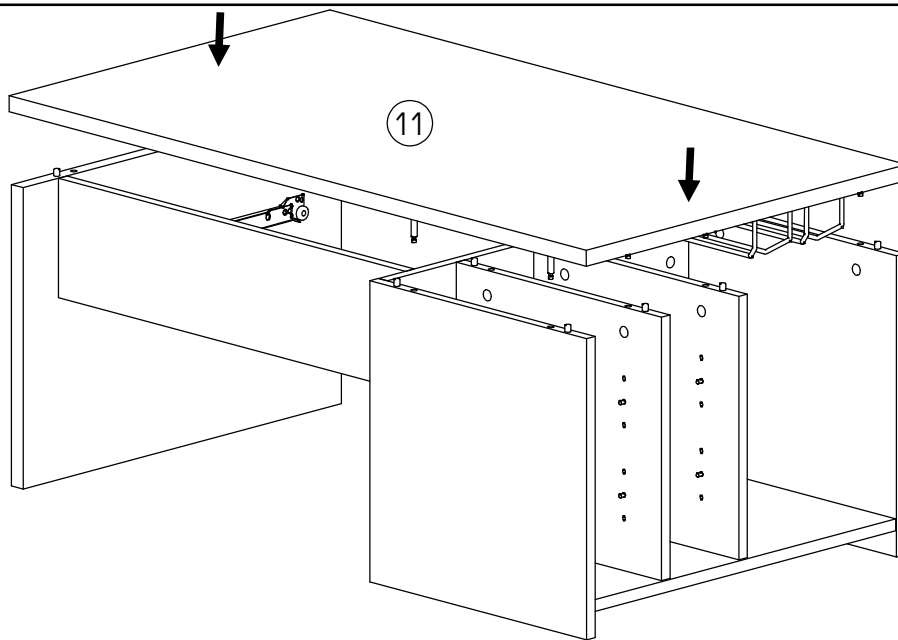
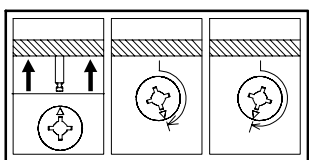


| | | | | | | | | | | | | | | | | | |
|---|---------------------|---------------------|-------------------|--------------------|---------------------|---------------------|---------------------|---------------------|----------|---|-----|---|----|---|-----|---|----|
| | 22243.00 Ø3,5x15 | 22244.01 Ø3,5x16 | 22300.00 Ø7x50 | 22705.00 Ø6,3x8 | 22800.01 4 | 27000.00 Ø8x30 | 30091.00 | 35701.01 | 50553.00 | | | | | | | | |
| A | 12x | B | 5x | C | 8x | D | 8x | E | 1x | F | 14x | G | 7x | H | 16x | J | 1x |
| | 70013.01 Ø15x13 | 70021.01 | | | 33008.00 L=400mm | 33008.00 L=400mm | 33008.00 L=400mm | 33008.00 L=400mm | 8452.00 | | | | | | | | |
| K | 26x | L | 26x | M | 2x | N | 20x | P | 1x | Q | 1x | R | 1x | S | 1x | T | 1x |



| | | |
|--|---|---|
|  |  |  |
| A | 4x | L |
| | | 10x |
| | | T |
| | | 1x |





| | | | | | | | |
|------|------|------|------|------|-------|------|------|
| | | | | | | | |
| A 6x | B 5x | C 4x | J 1x | M 2x | N 20x | R 1x | S 1x |

