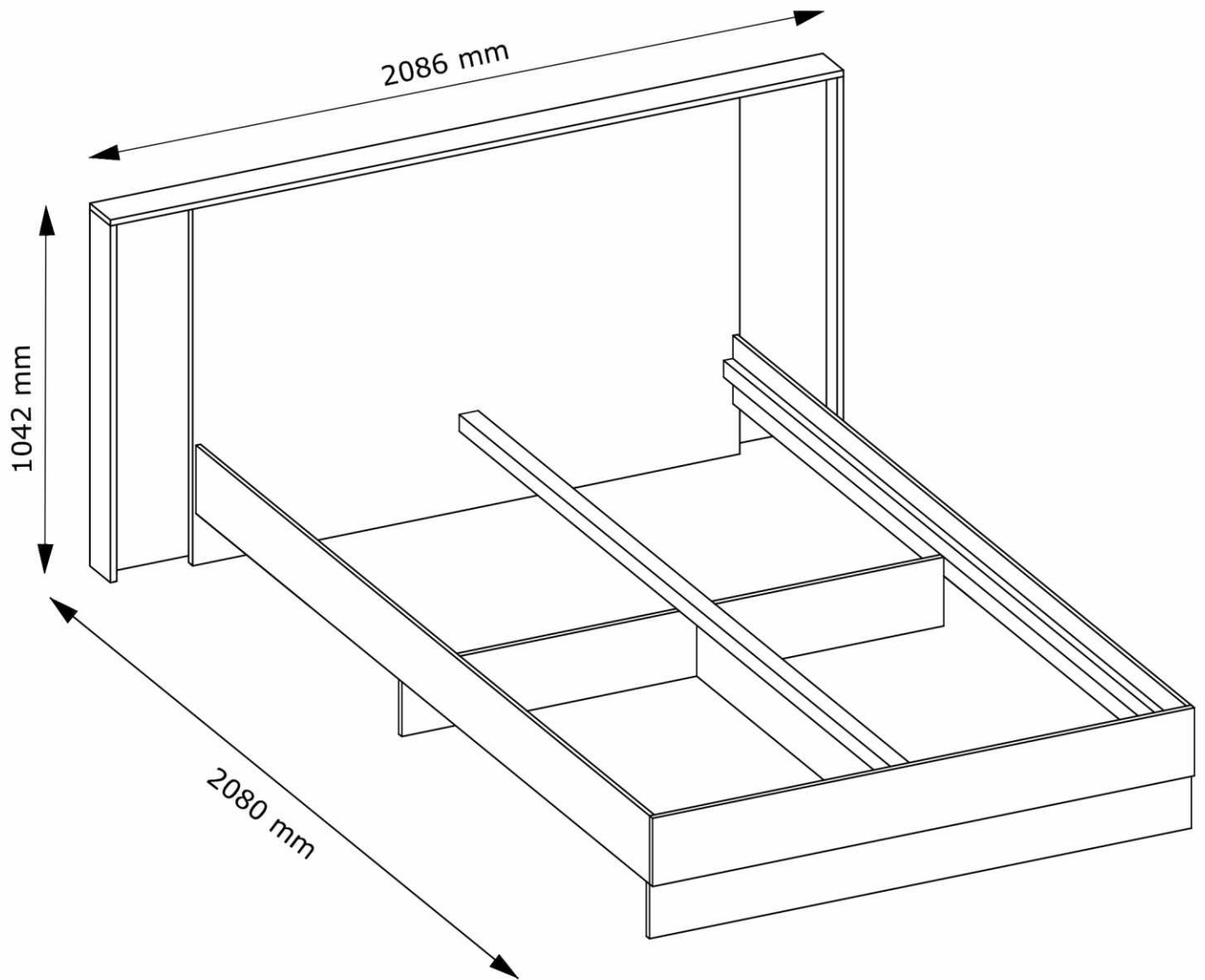
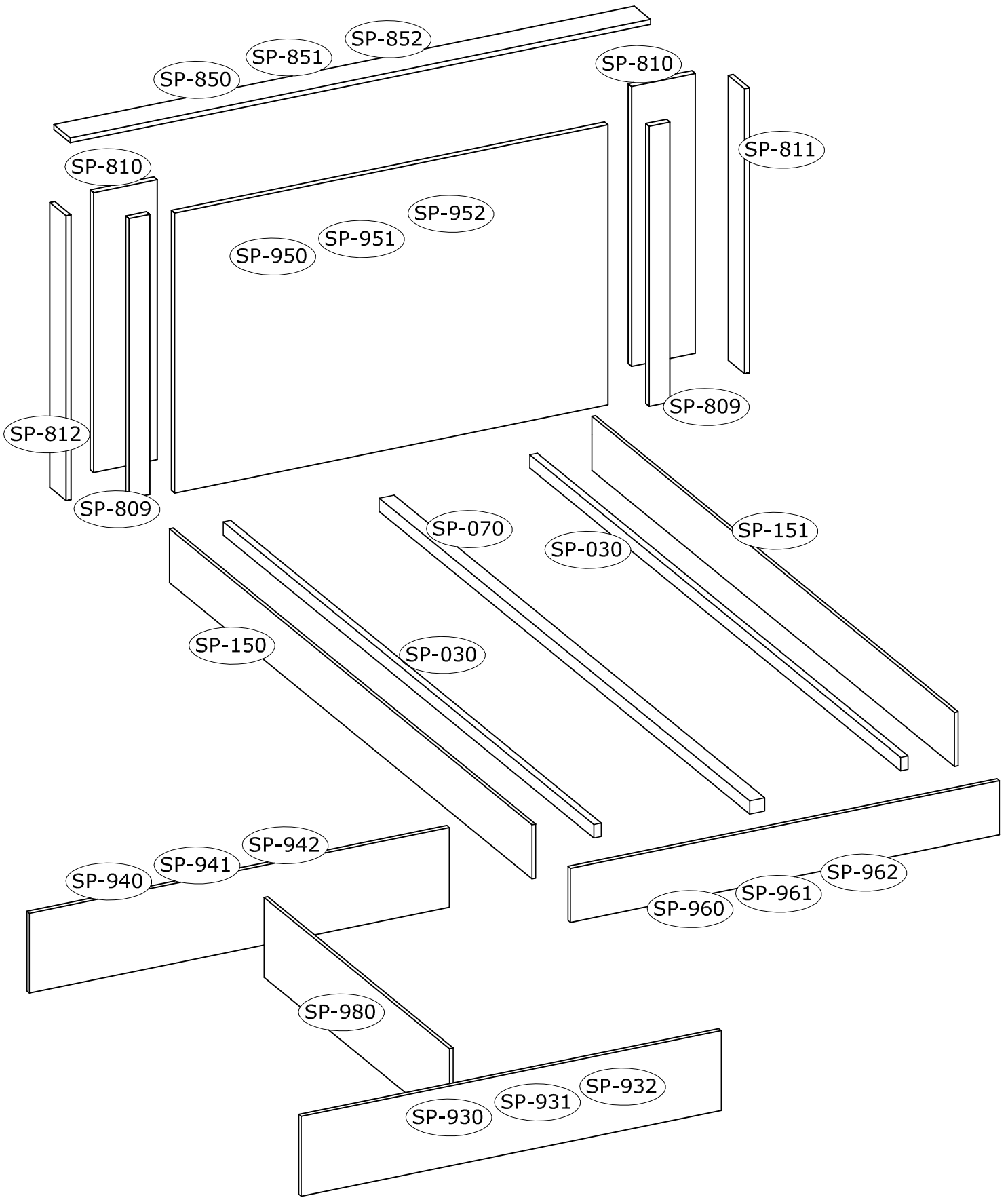
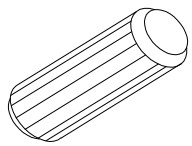
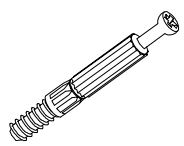
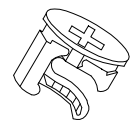
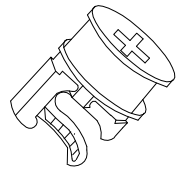
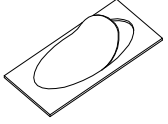
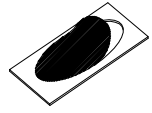
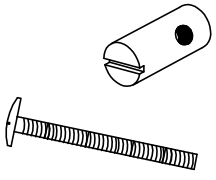
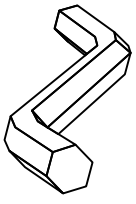
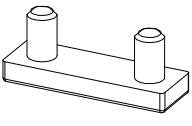
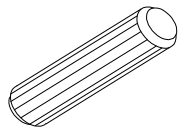

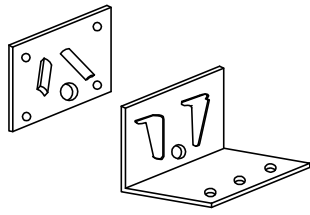
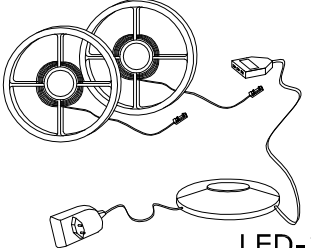
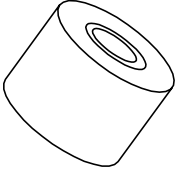
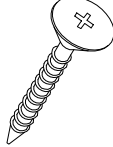



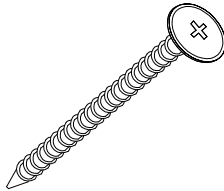


SIMPLA

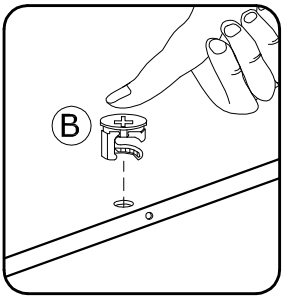
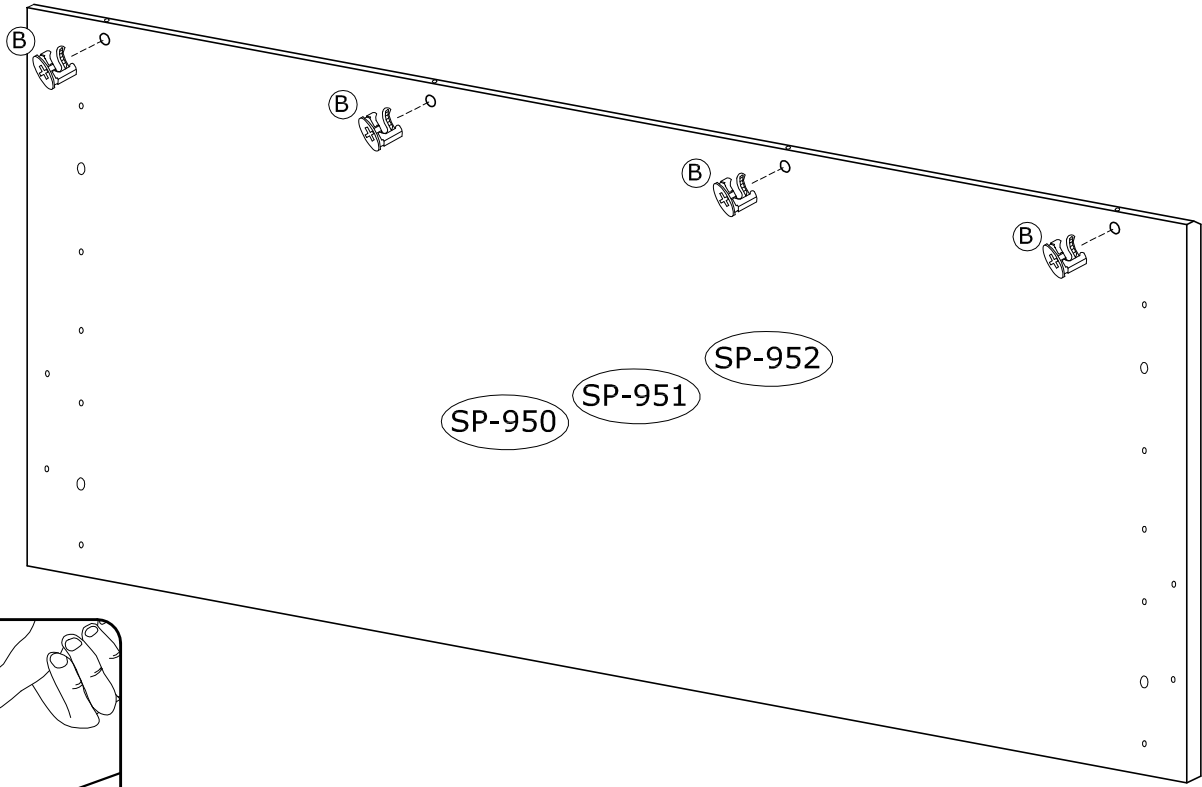




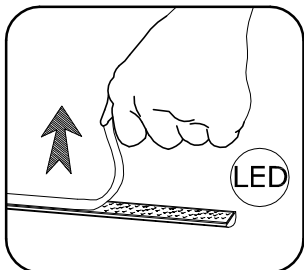
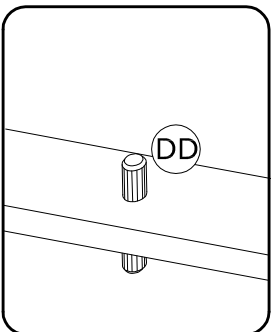
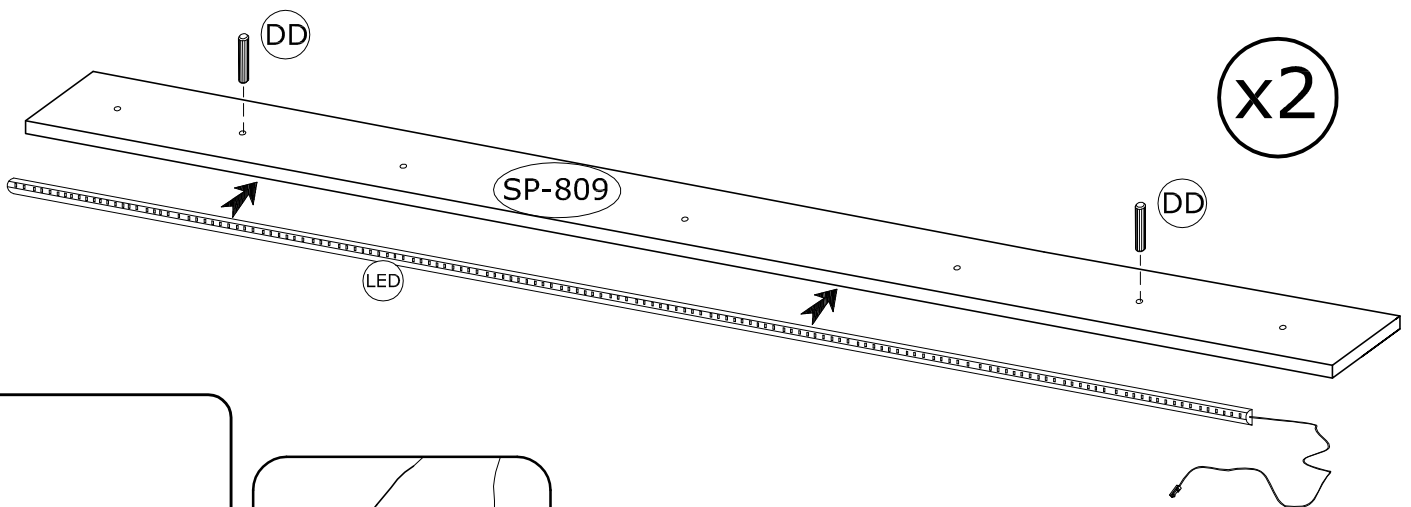
SIMPLA 30	140	SP-850	SP-950	SP-960	SP-930	SP-940
SIMPLA 31	160	SP-851	SP-951	SP-961	SP-931	SP-941
SIMPLA 32	180	SP-852	SP-952	SP-962	SP-932	SP-942

 <p>Ø8x30mm D-26</p>	 <p>A-24</p>	 <p>Ø15x16mm B-20</p>	 <p>Ø15x22mm BB-4</p>
 <p>Ø20 C-12</p>	 <p>Ø20 CC-12</p>	 <p>ML-4</p>	 <p>4 mm H1-1</p>
 <p>E-1</p>	 <p>Ø8x50mm DD-4</p>	 <p>Ø6.3x13mm EU-8</p>	 <p>ZB-2</p>
 <p>LED-1</p>	 <p>DS-2</p>	 <p>Ø3.5x20mm J-6</p>	 <p>Ø3.5x45mm P-10</p>
 <p>Ø4,0x25mm K-2</p>	 <p>Ø4,0x30mm R-6</p>	 <p>Ø4,0x50mm S-10</p>	

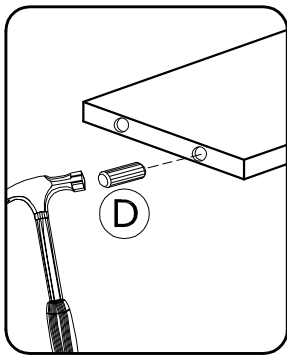
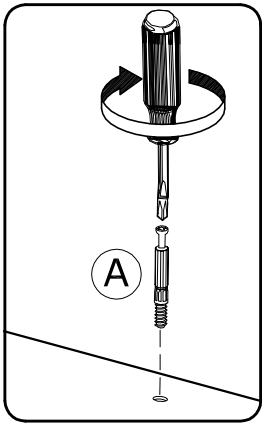
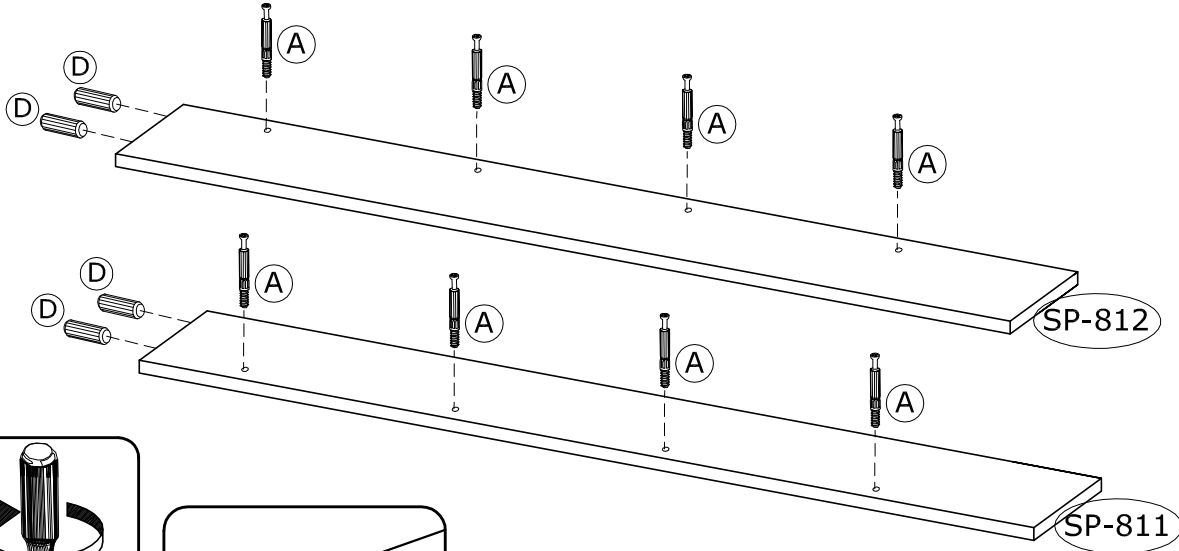
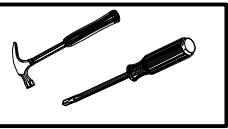
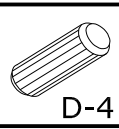
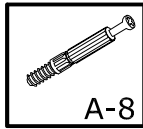
1.



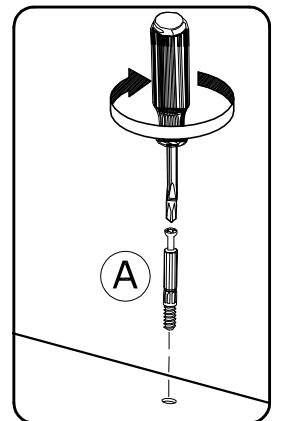
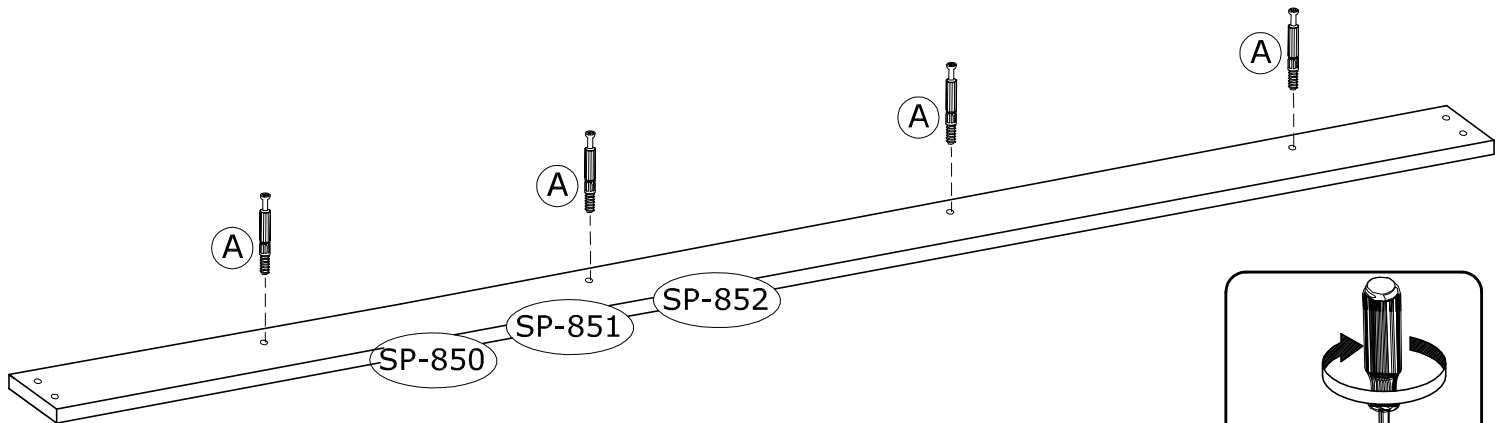
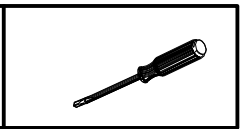
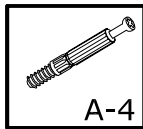
2.



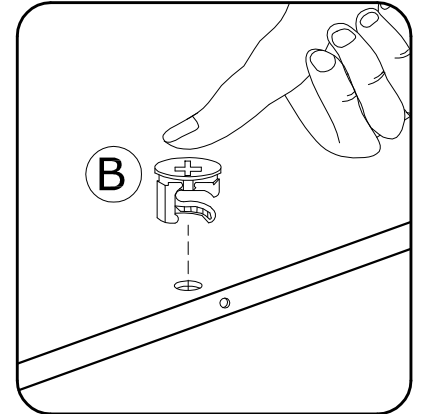
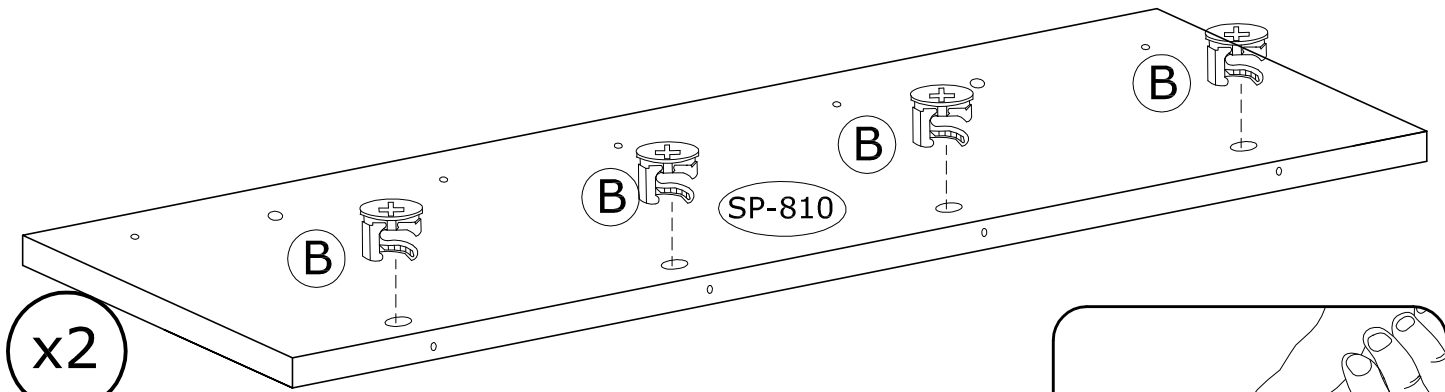
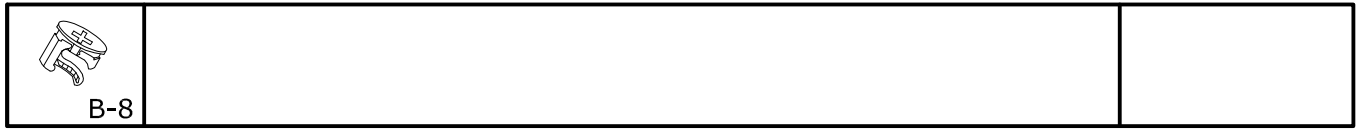
3.



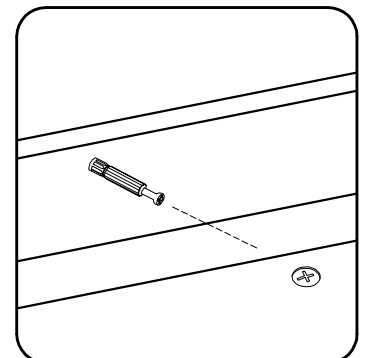
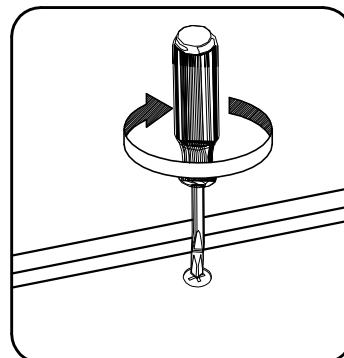
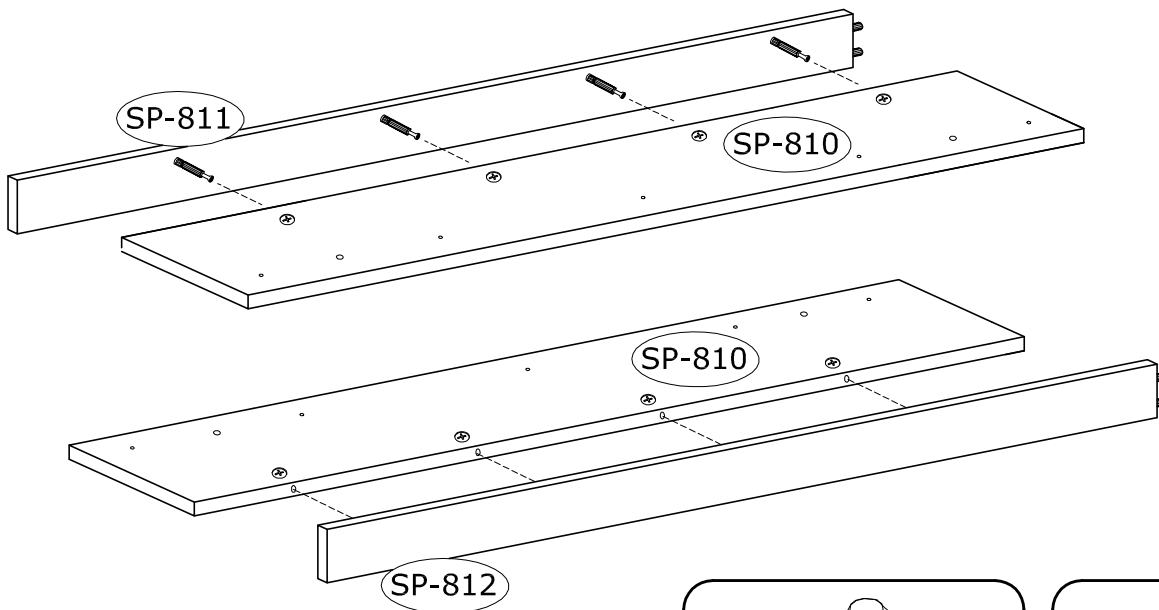
4.

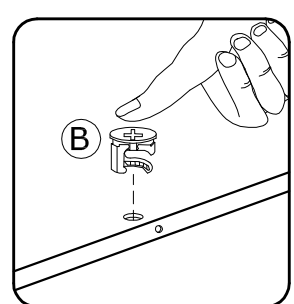
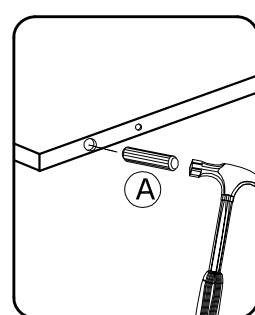
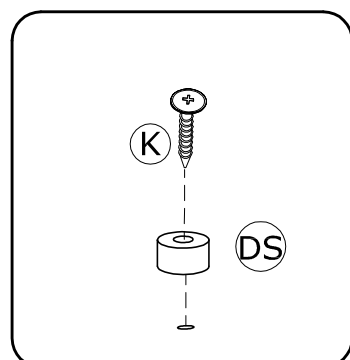
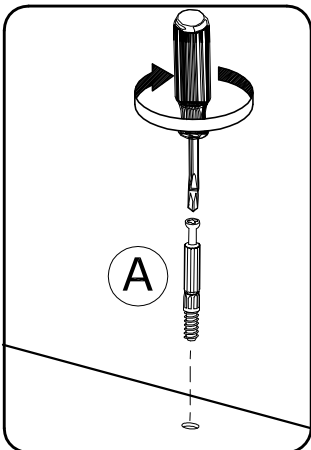
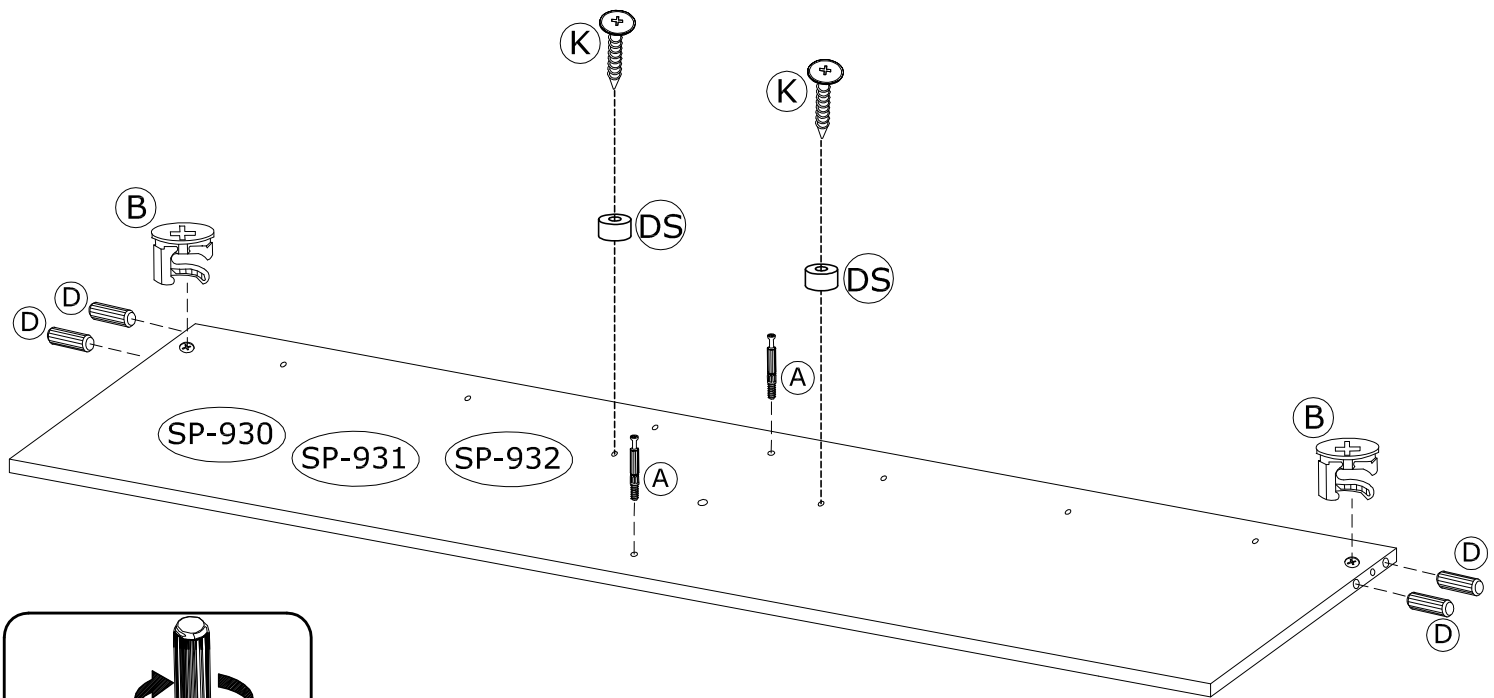
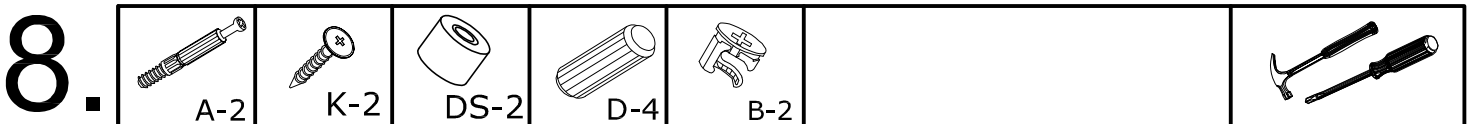
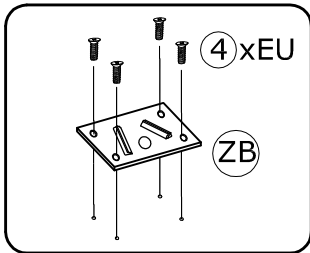
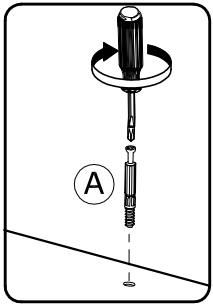
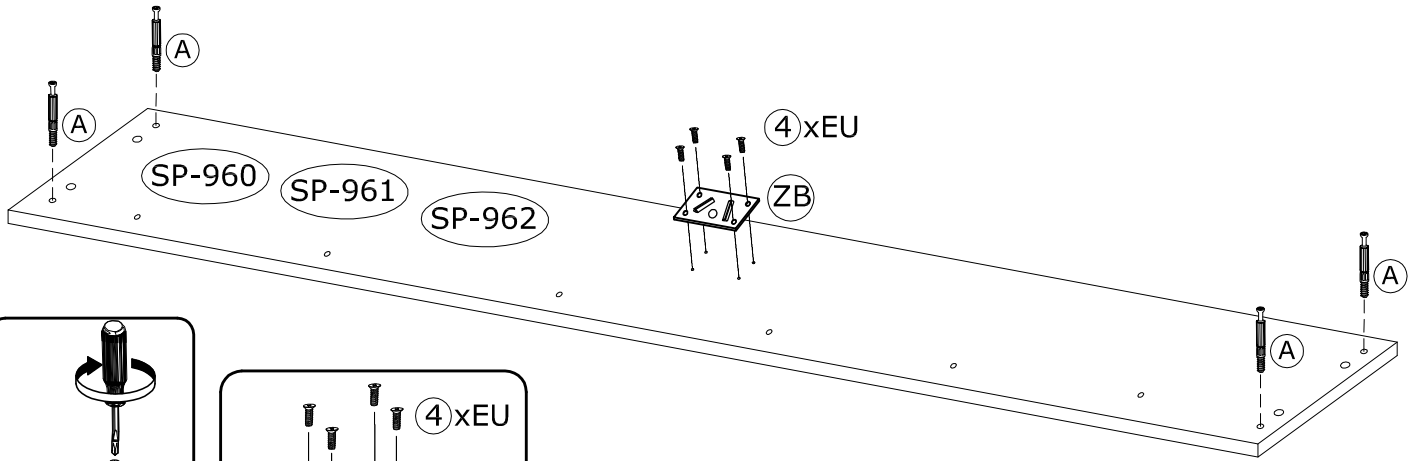


5.

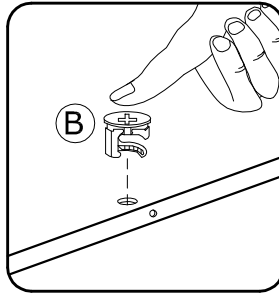
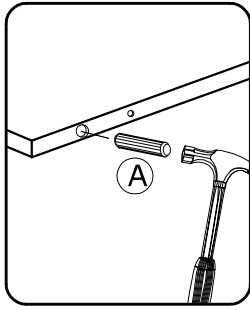
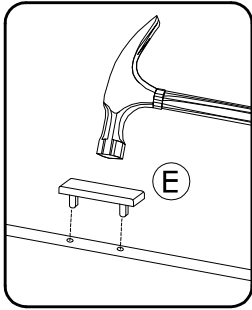
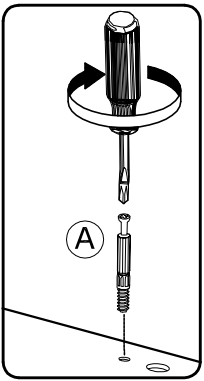
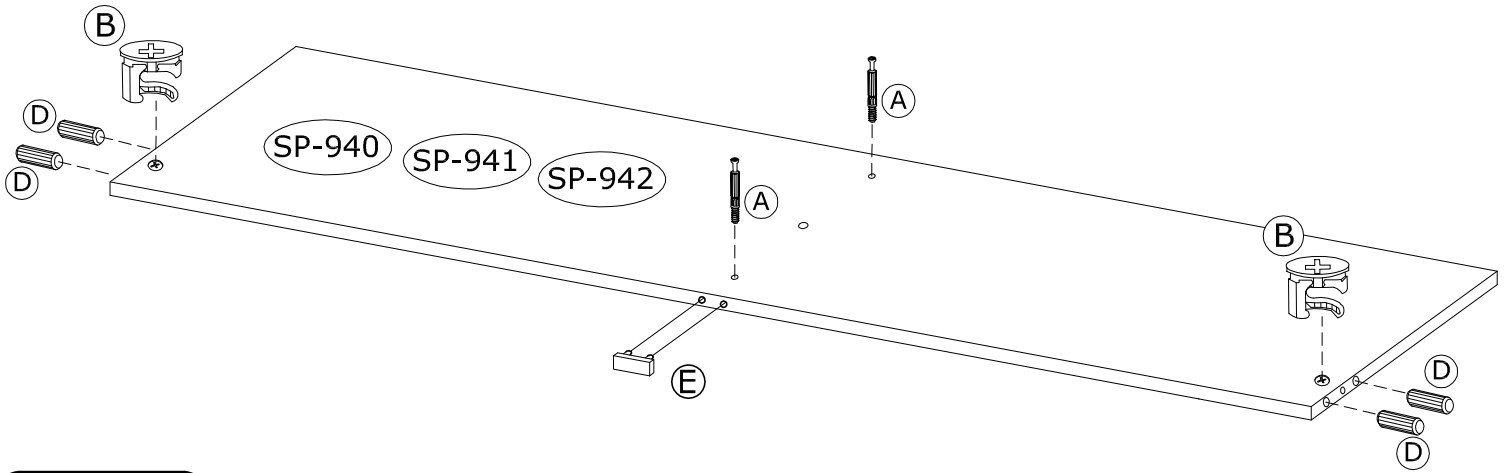


6.

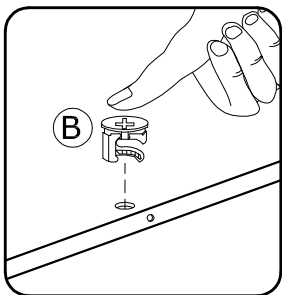
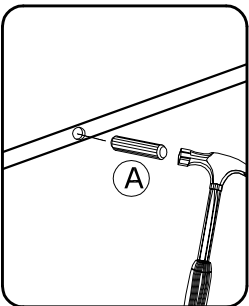
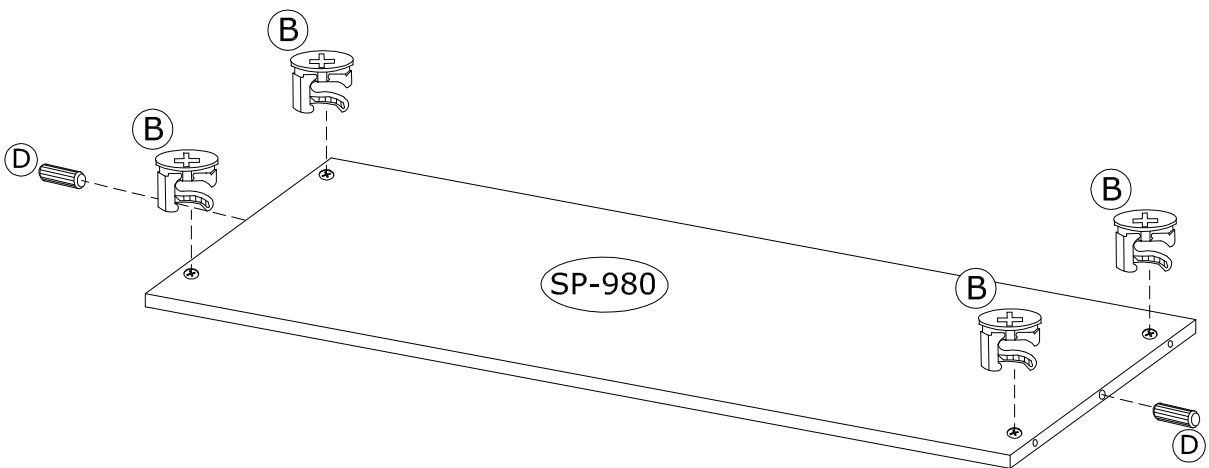




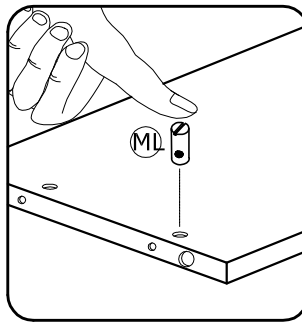
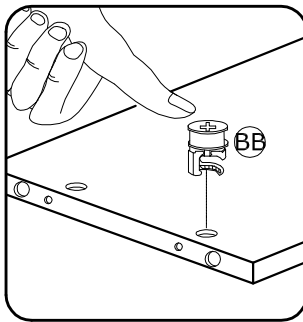
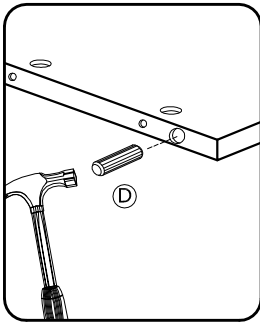
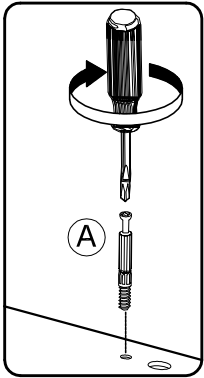
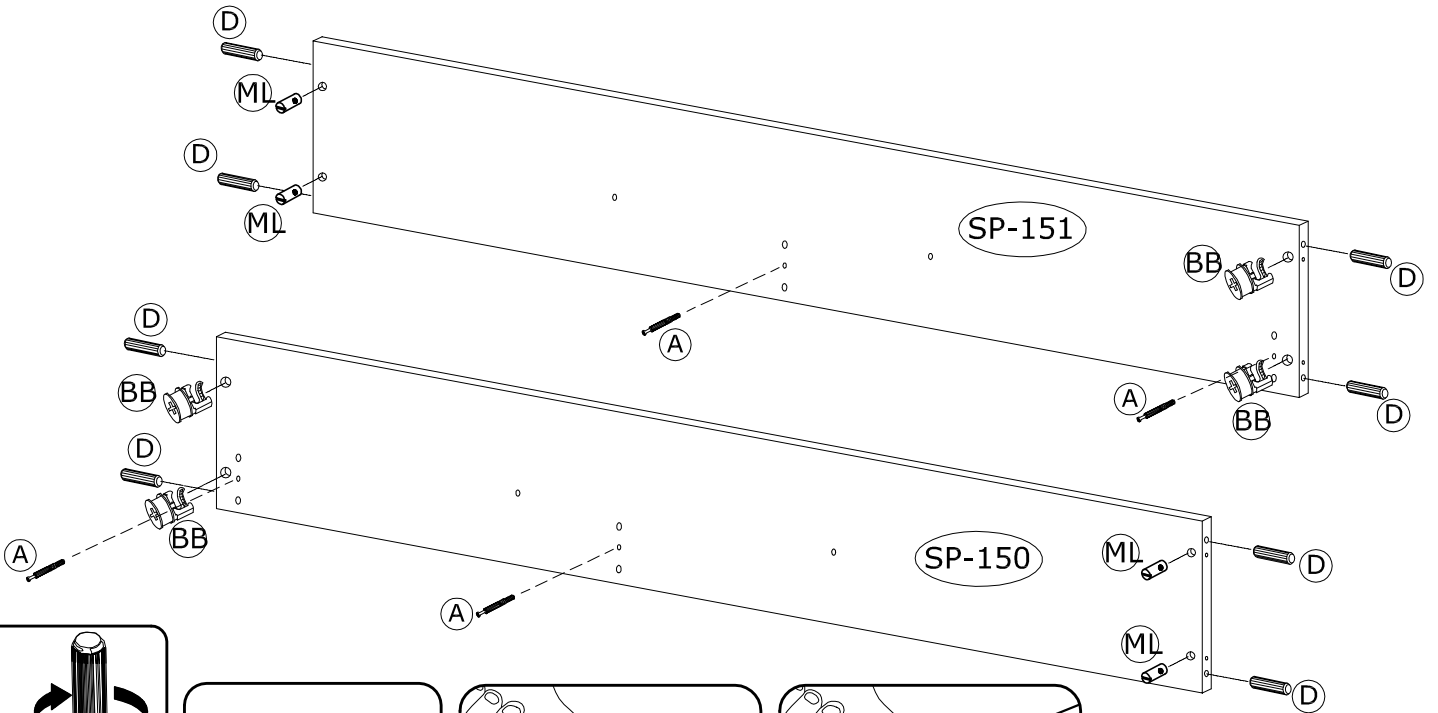
9.



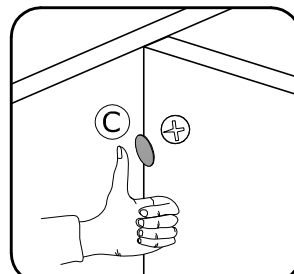
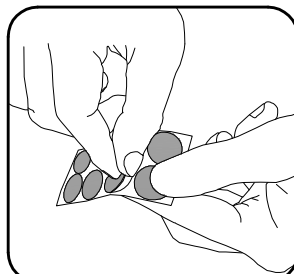
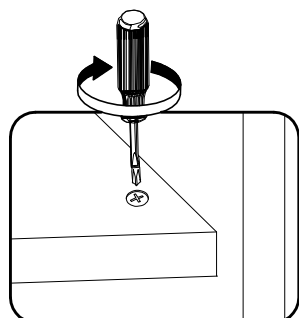
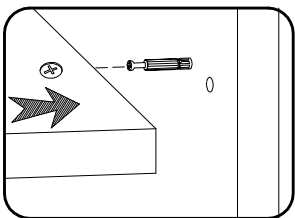
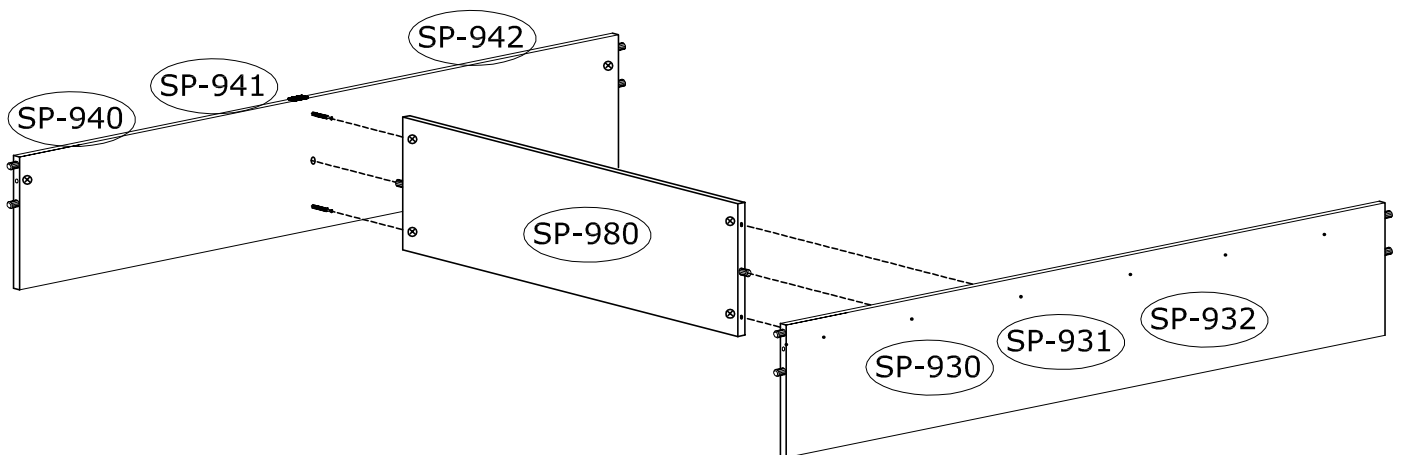
10.



11.



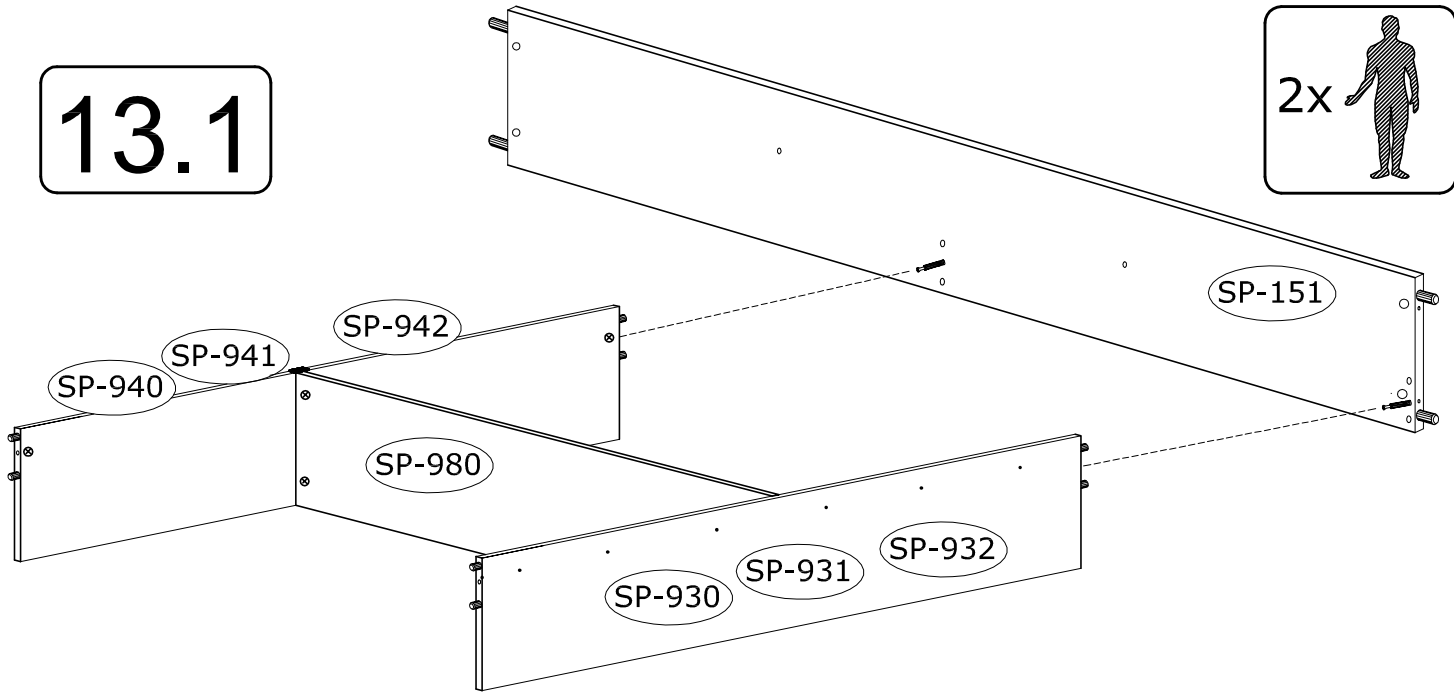
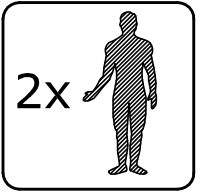
12.



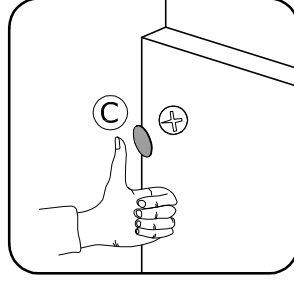
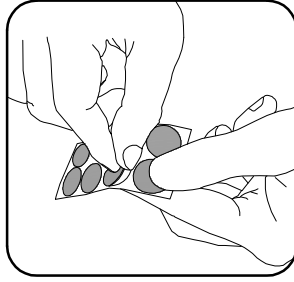
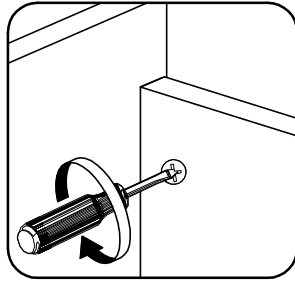
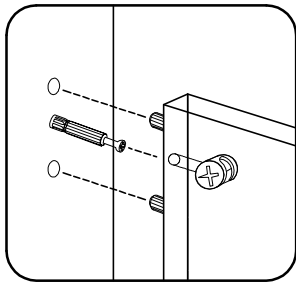
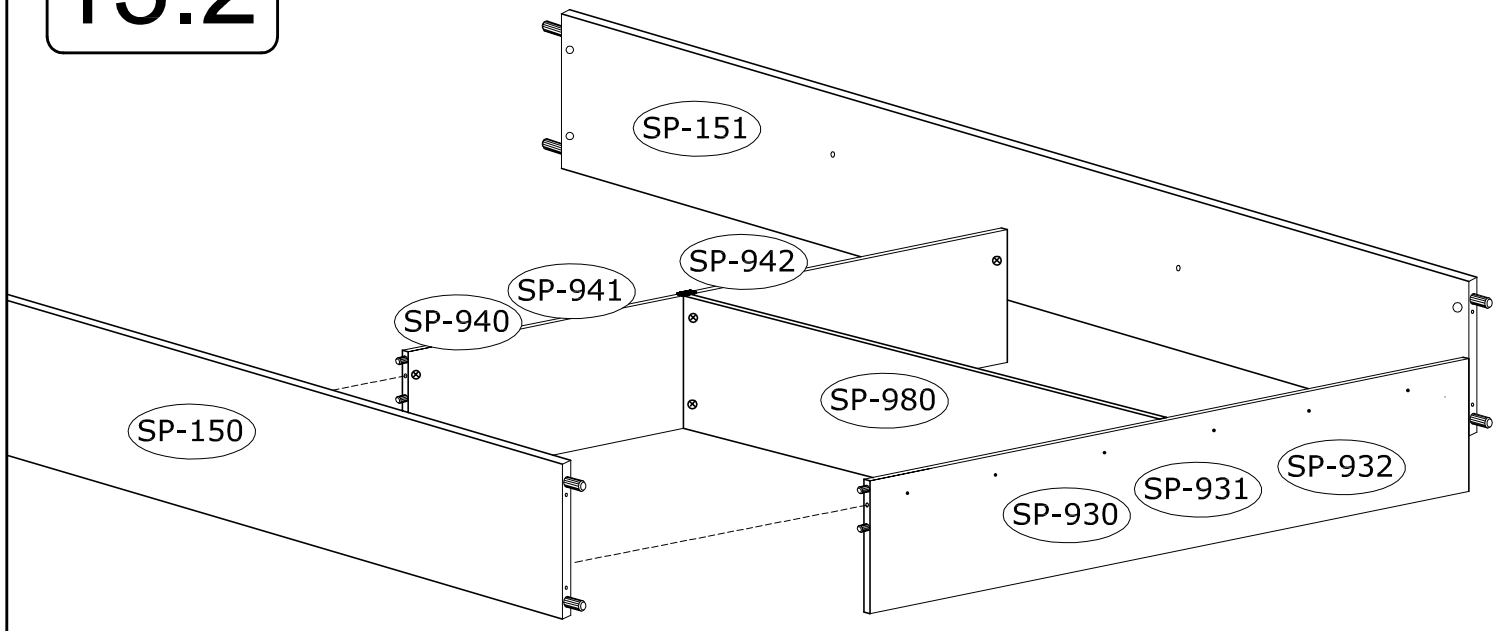
13.



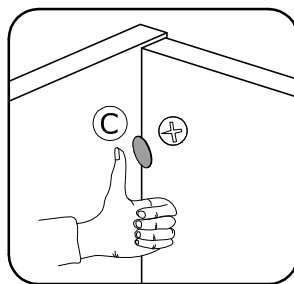
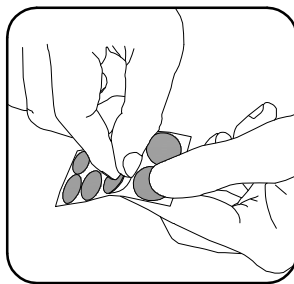
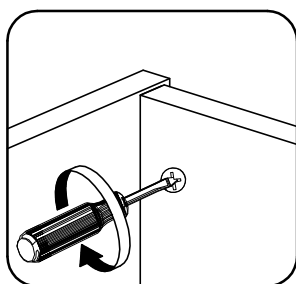
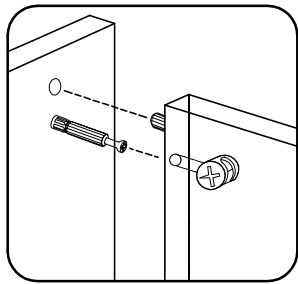
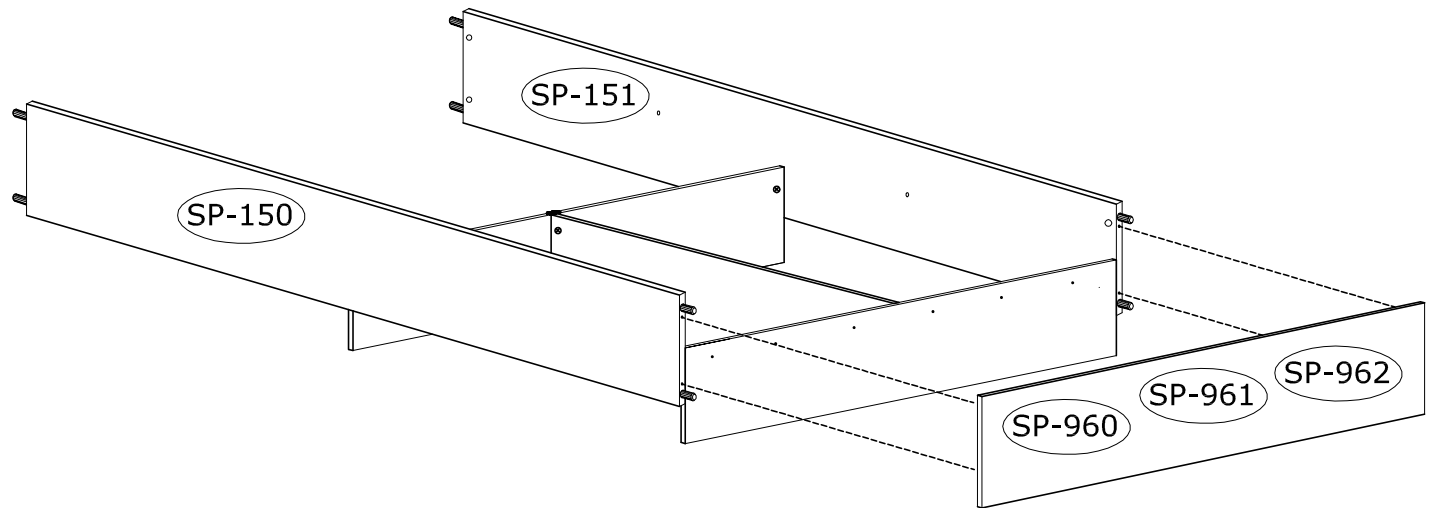
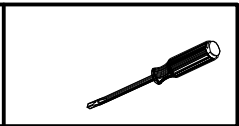
13.1



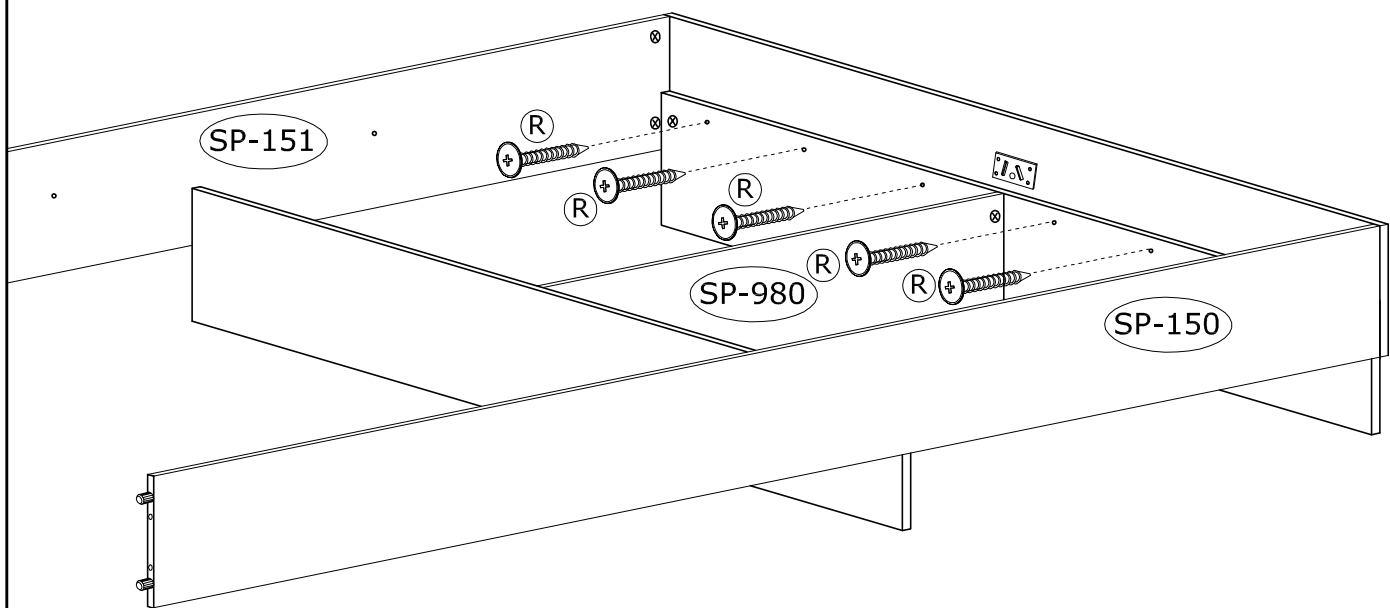
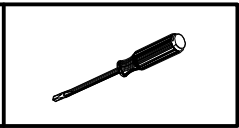
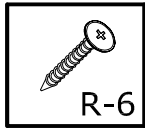
13.2



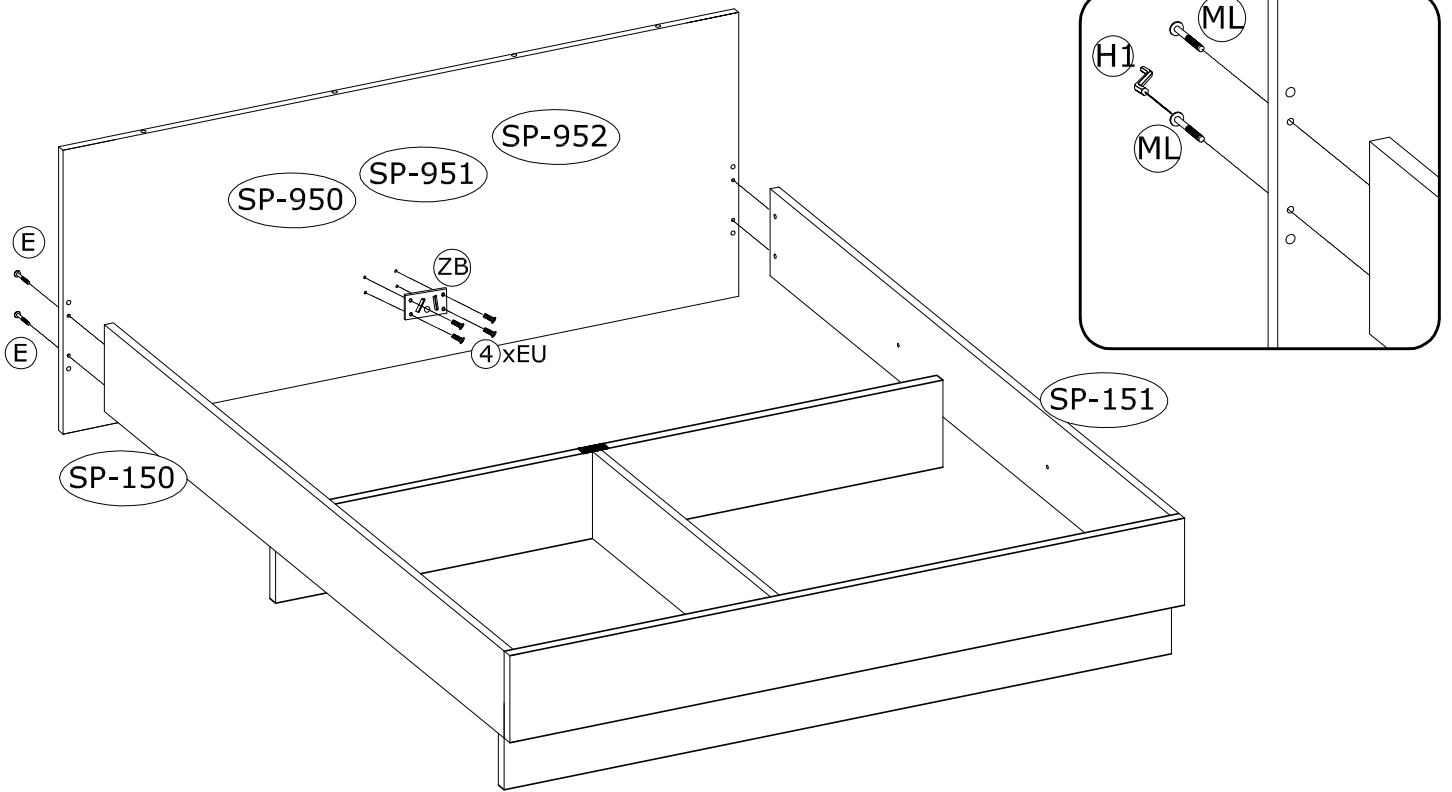
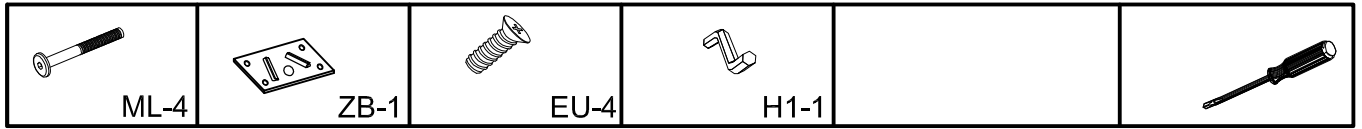
14.



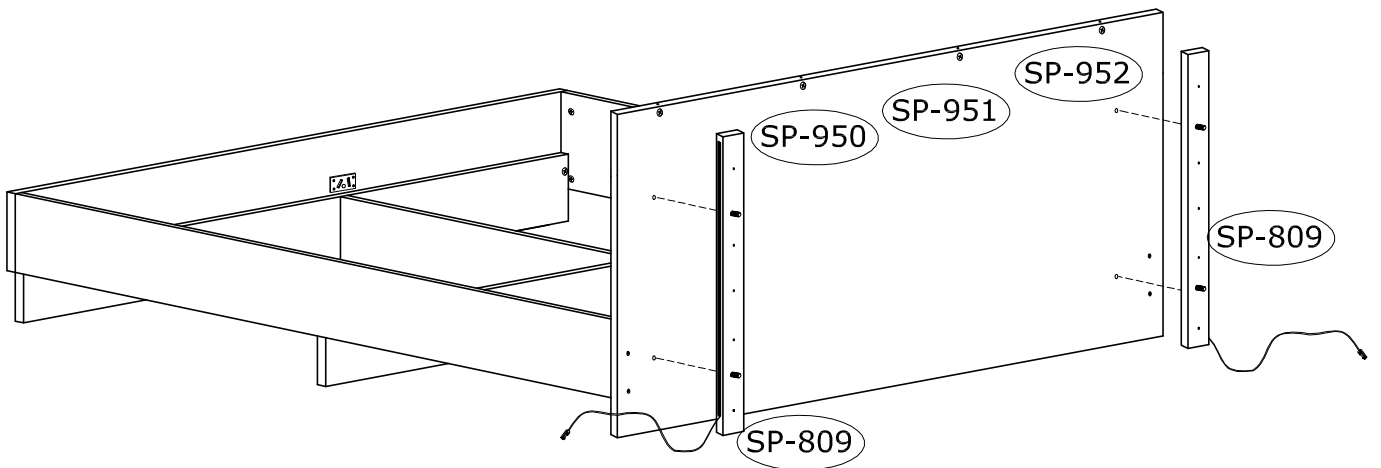
15.



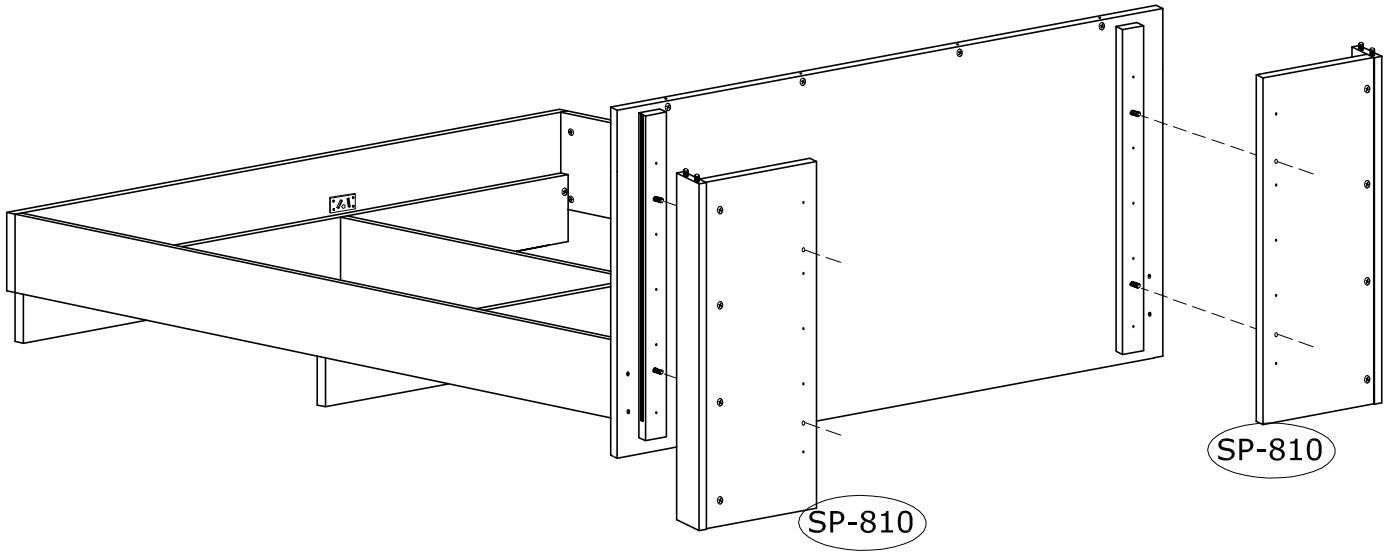
16.



17.



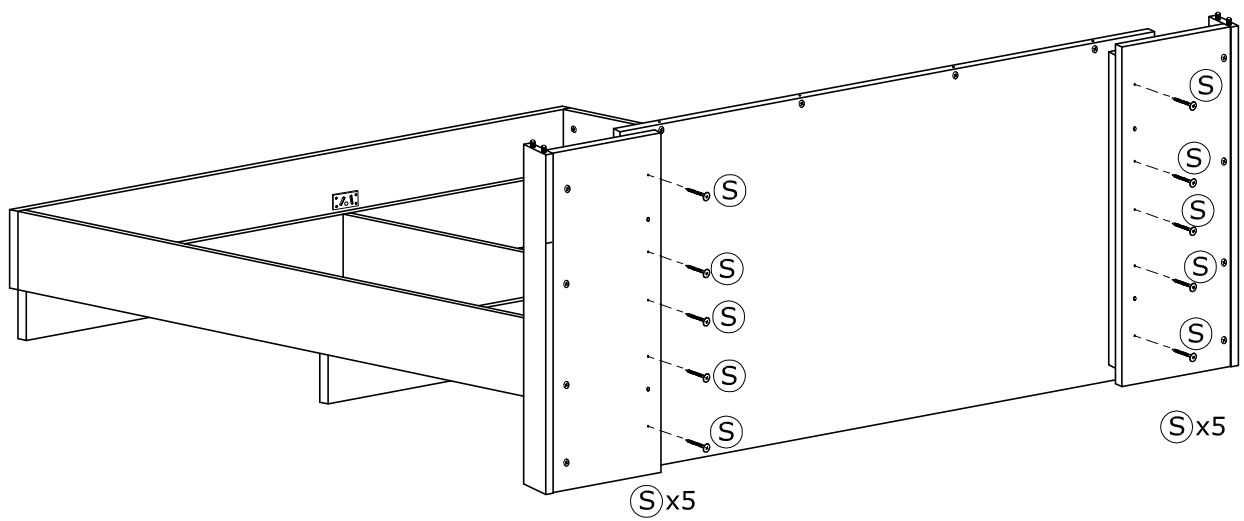
18.



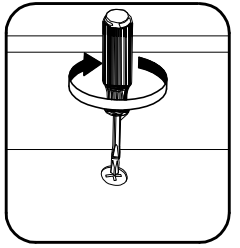
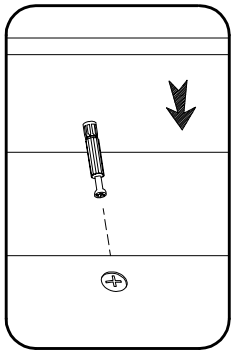
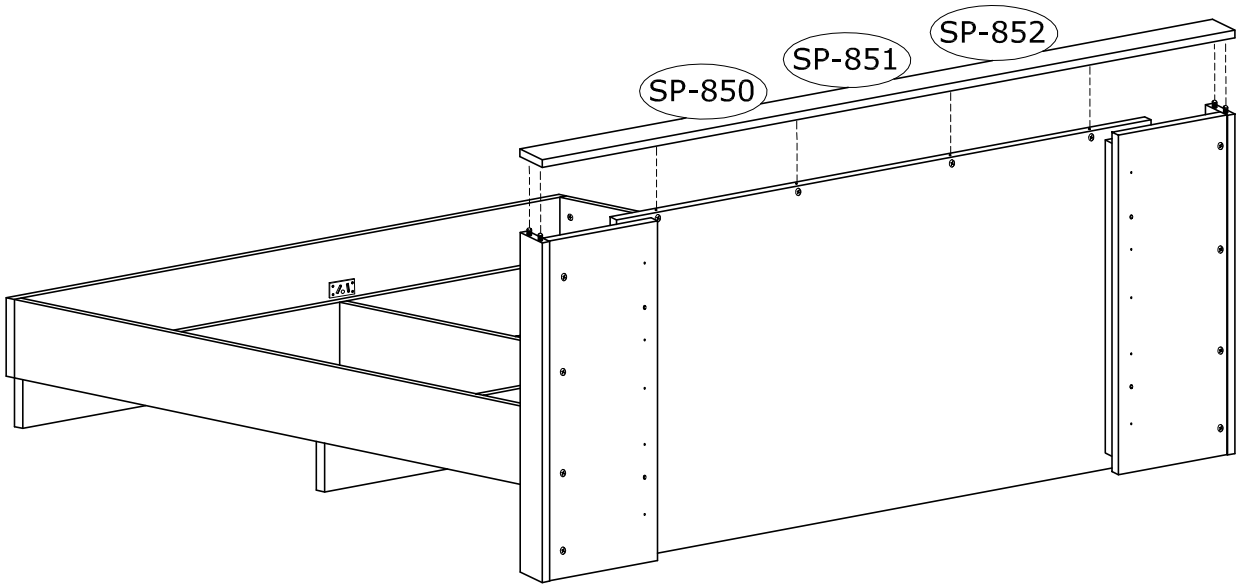
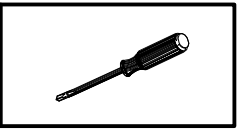
19.



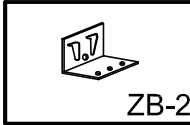
S-10



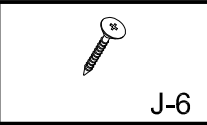
20.



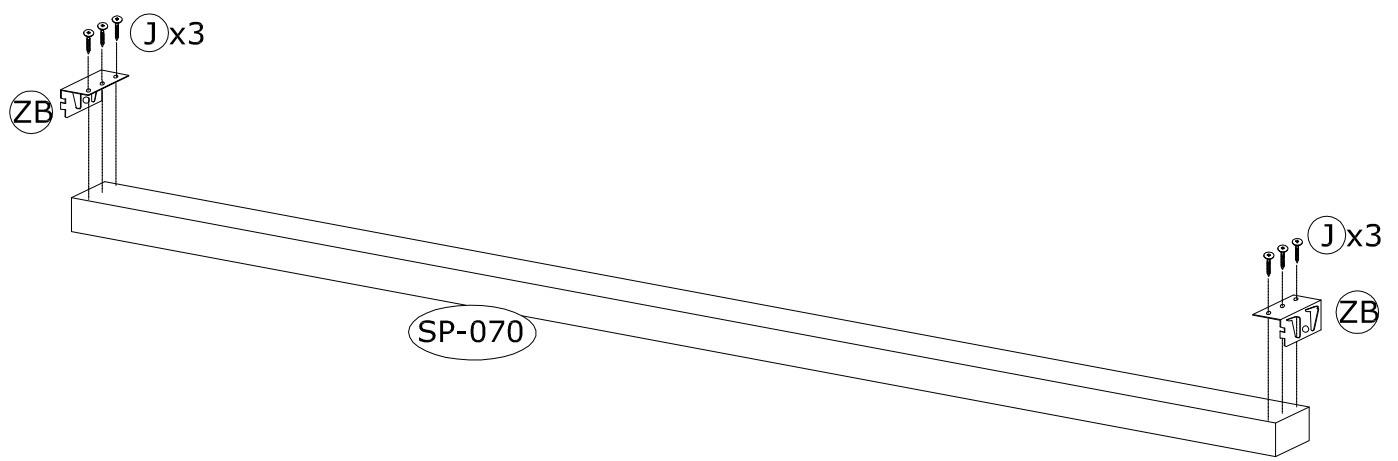
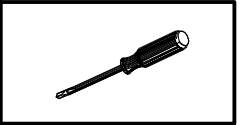
21.



ZB-2



J-6



22.



D-4



P-10

