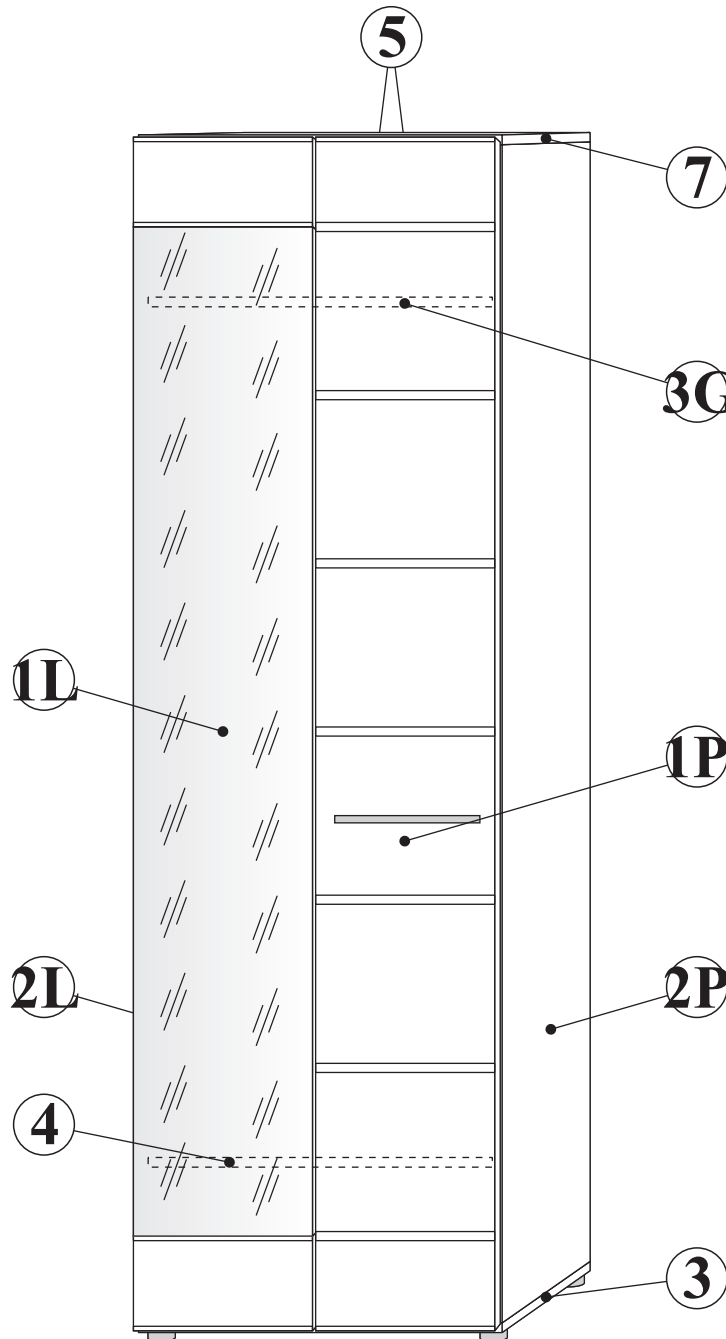
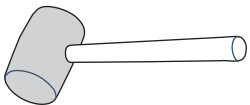
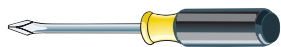
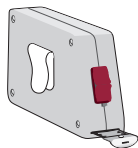
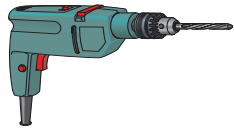
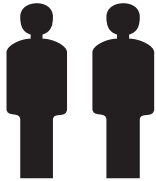


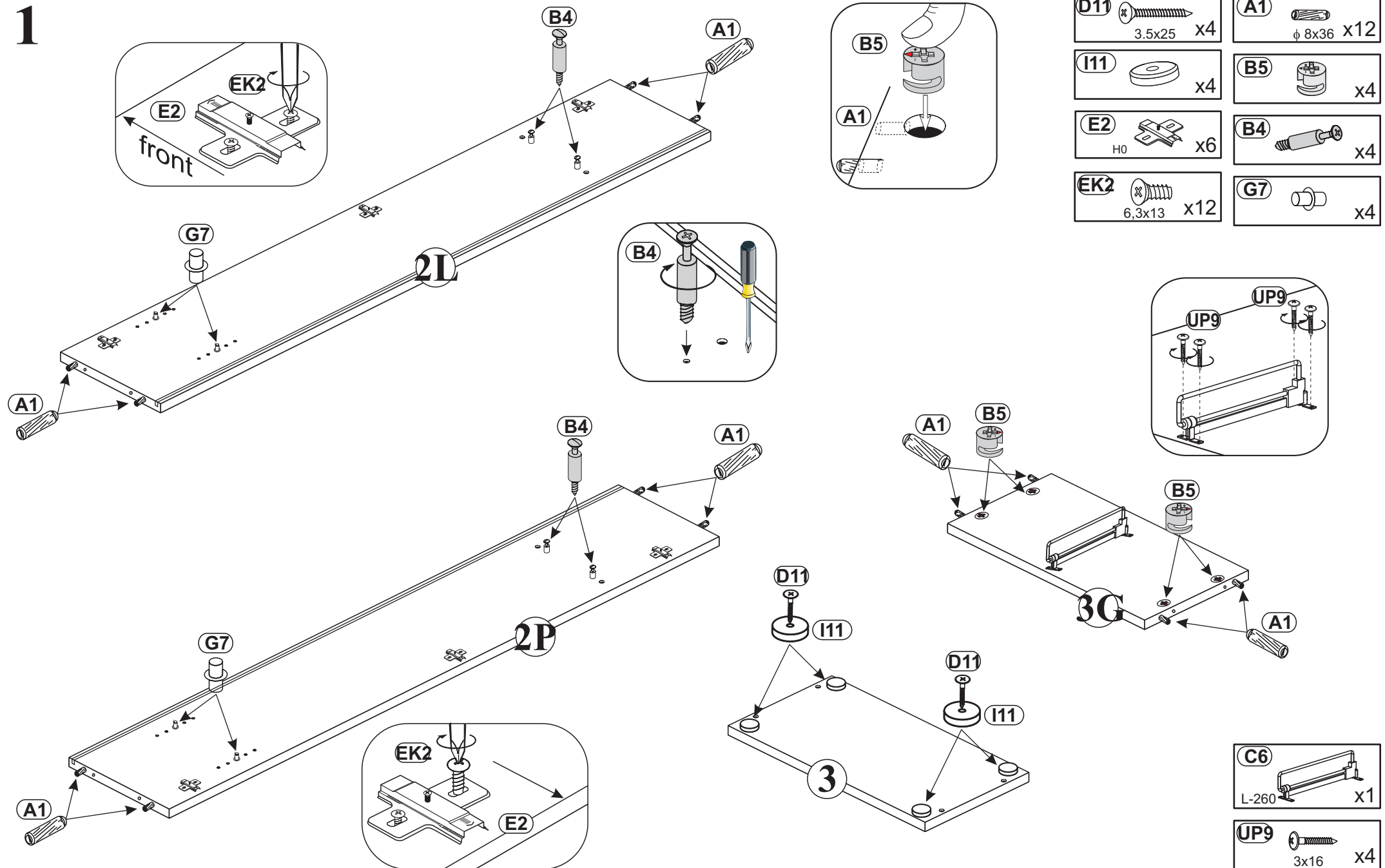
DERBY



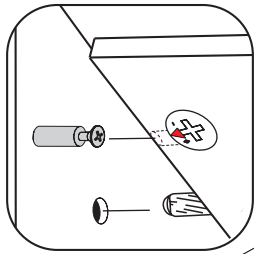
- | | |
|------------|-----------------|
| A1 | ϕ 8x36 x12 |
| C6 | L-260 x1 |
| B5 | x4 |
| UP9 | 3x16 x4 |
| B4 | x4 |
| G8 | L-1946 x1 |
| G5 | #15 x4 |
| UL | L-224 x1 |
| B11 | 7x50 x8 |
| UP6 | 4x30 x2 |
| I1 | ϕ 2 x8 |
| D11 | 3.5x25 x4 |
| G7 | x4 |
| I11 | x4 |
| S1 | x14 |
| E1 | Kr0 x6 |
| L1 | x1 |
| D10 | 3,5x13 x14 |
| KR2 | x1 |
| E2 | H0 x6 |
| D22 | 4x40 x1 |
| EK2 | 6,3x13 x12 |
| G2 | S-4 x1 |


DERBY


1

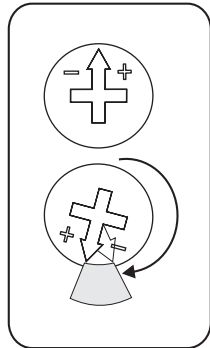
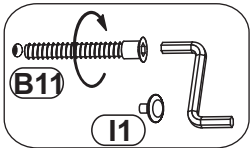
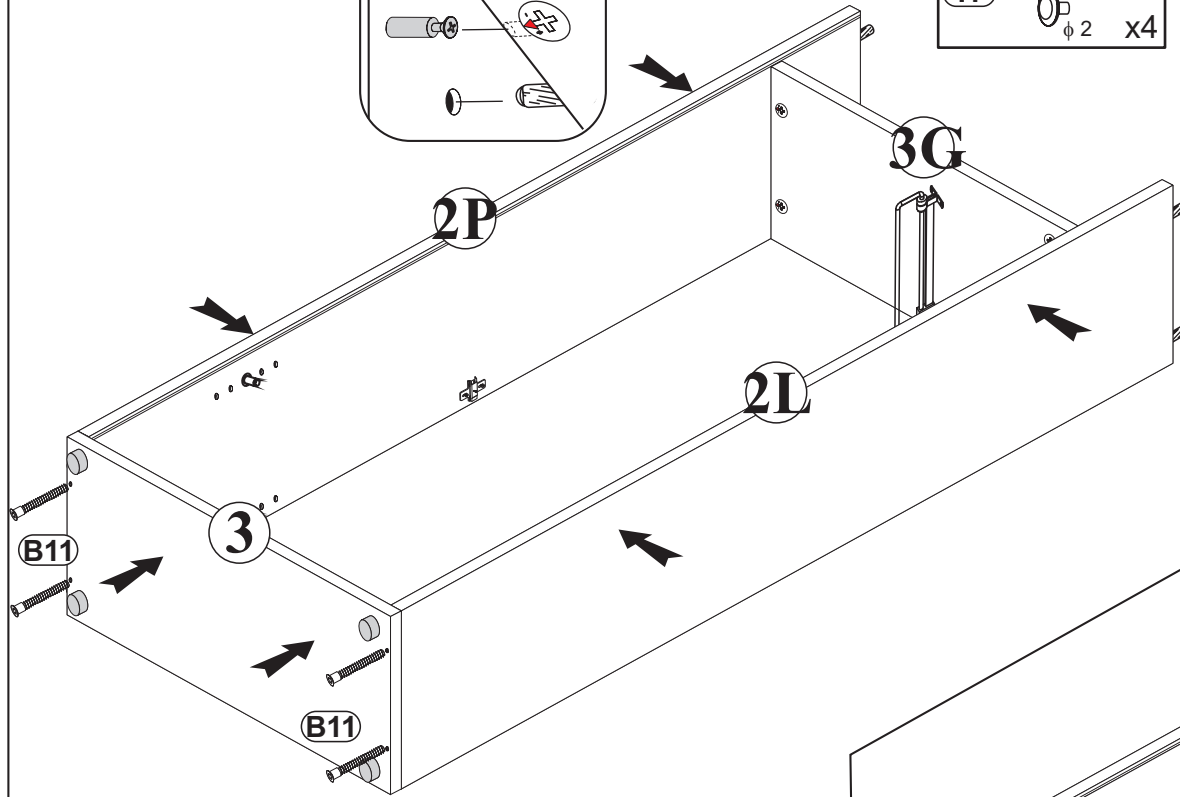


2





(B11)  7x50 x4


(I1)  $\phi 2$ x4

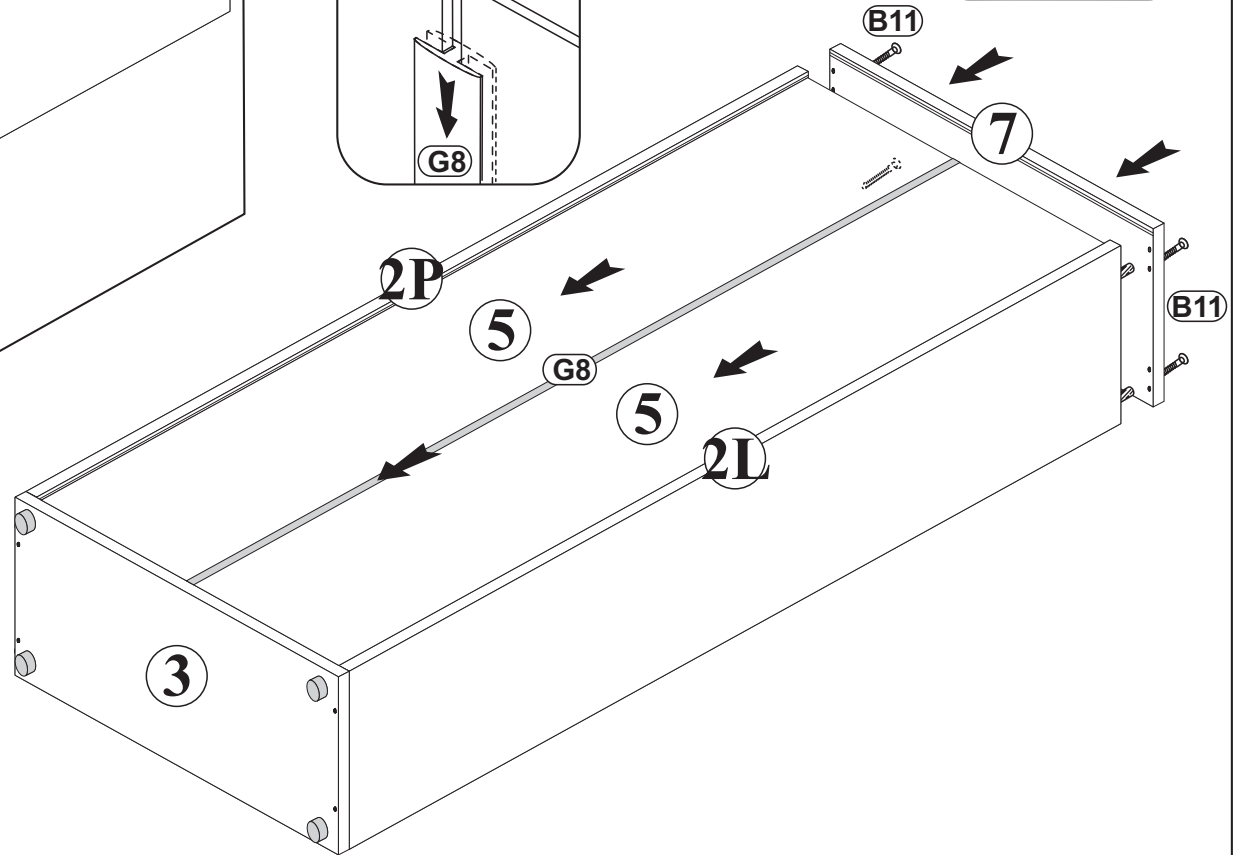
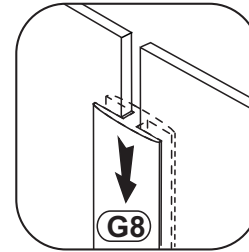
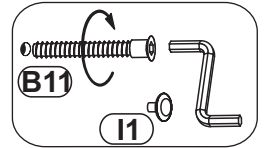


3

(B11)  7x50 x4


(I1)  $\phi 2$ x4

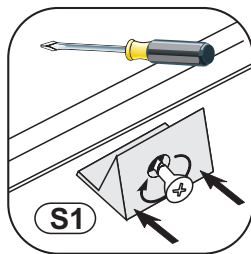
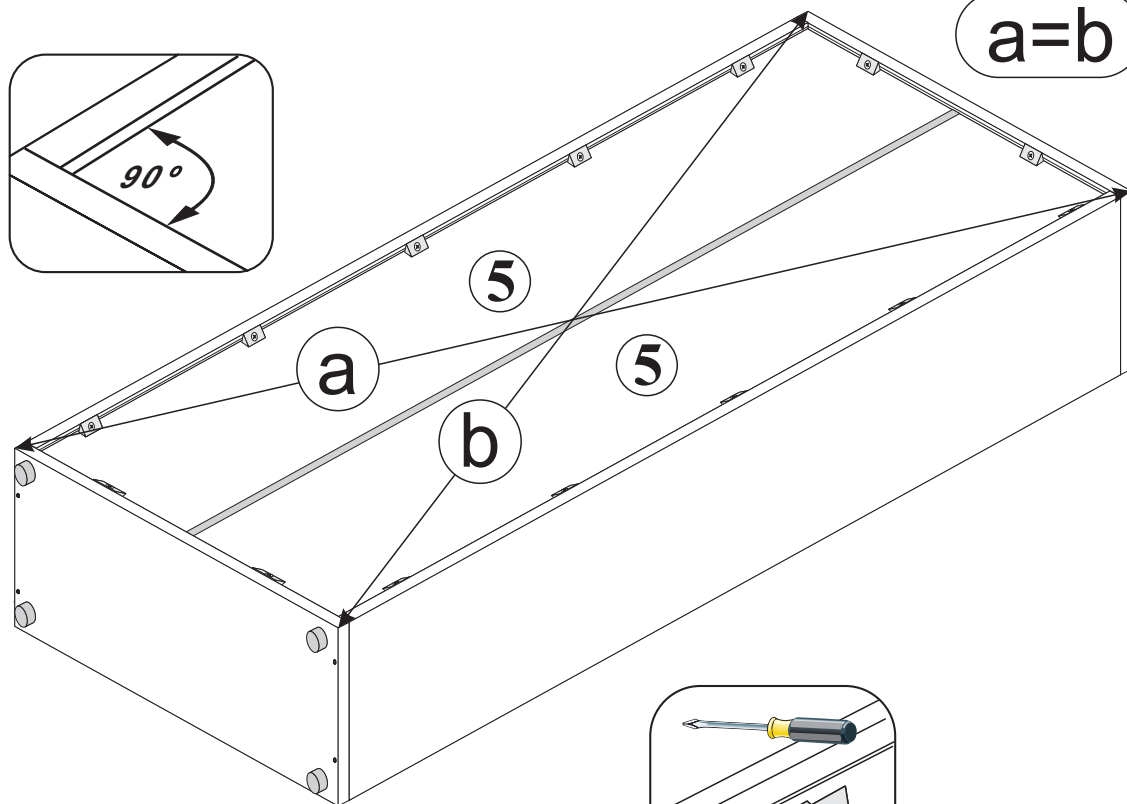
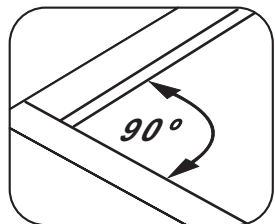
(G8)  L-1946 x1



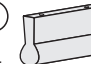
DERBY


4


S1  x14

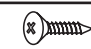


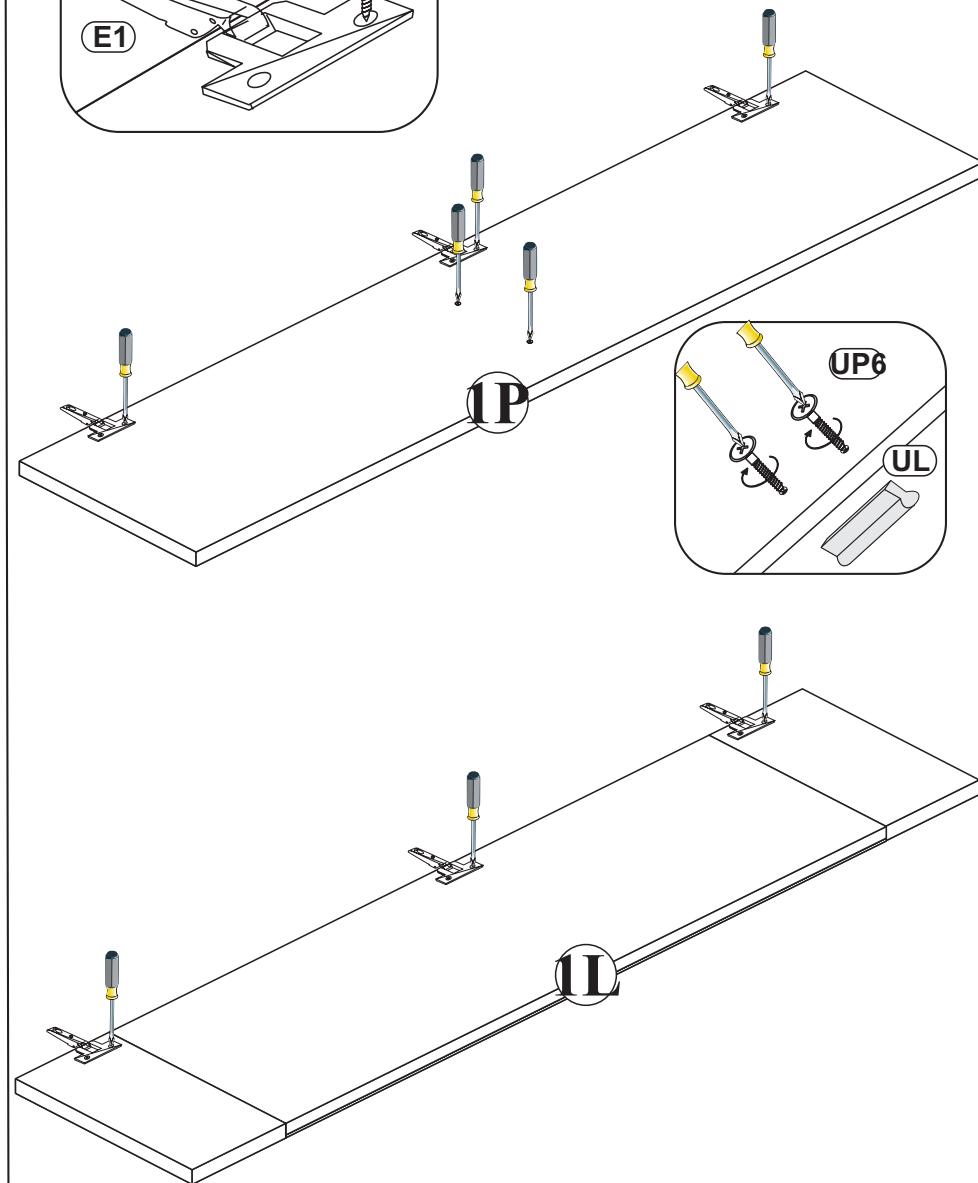
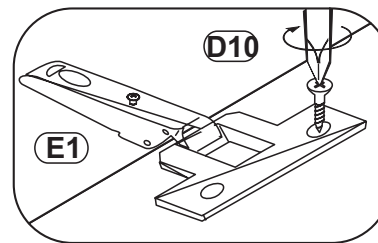
5

UL  x1

E1  x6
Kr0

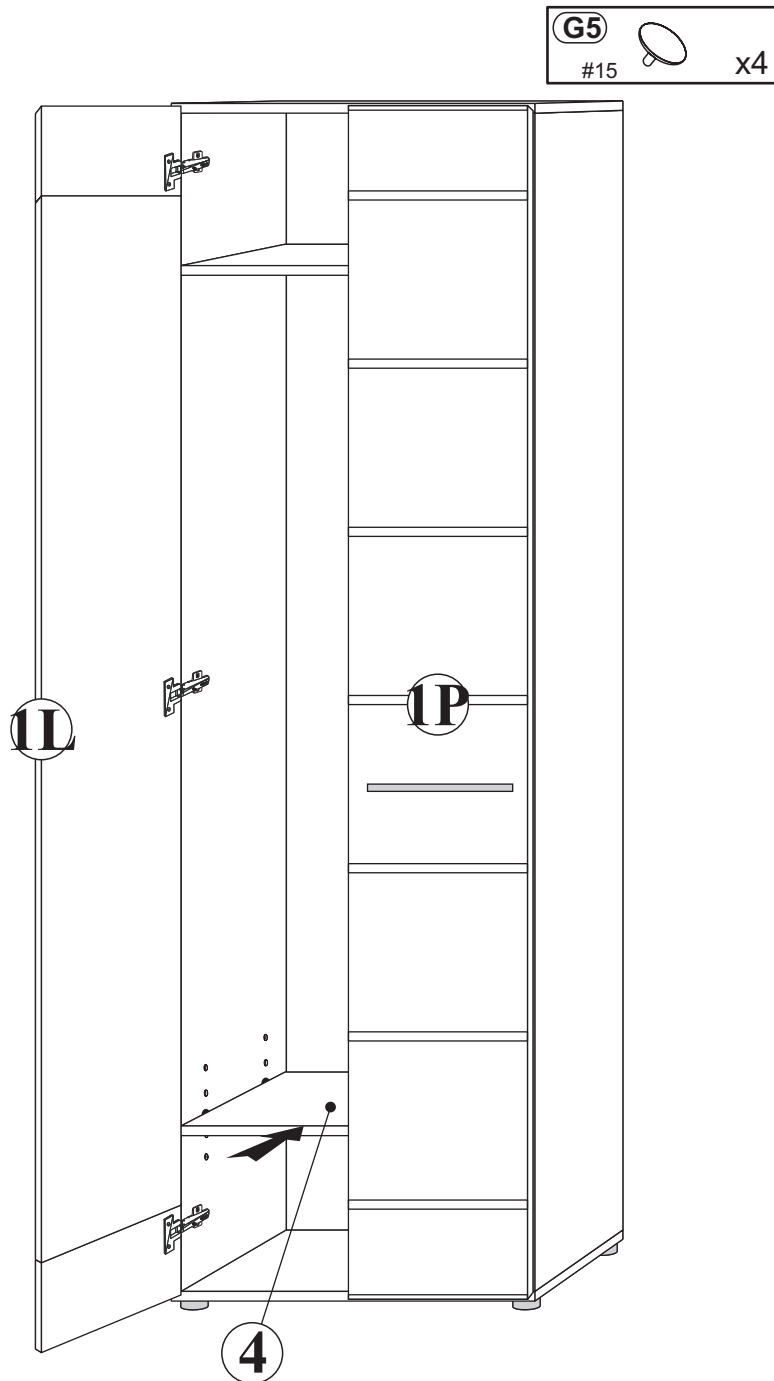
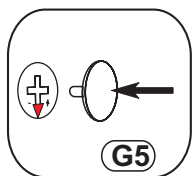
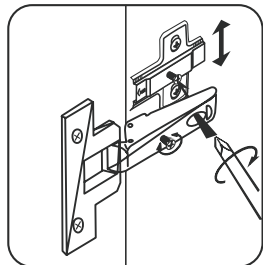
UP6  4x30 x2

D10  3,5x13 x12

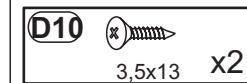
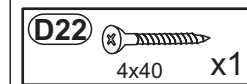
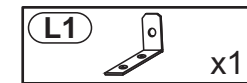
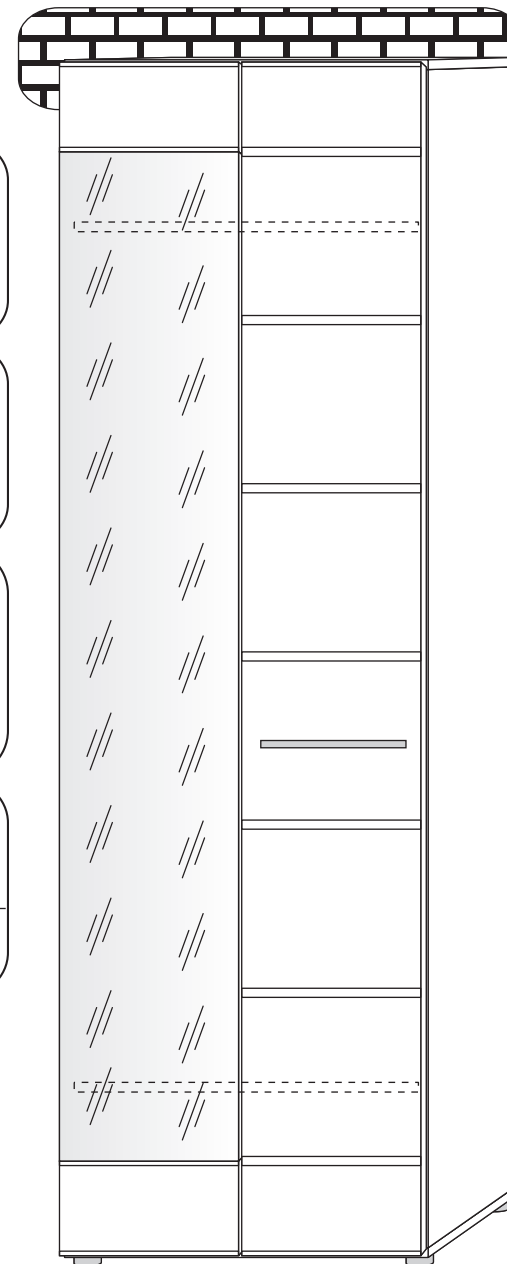
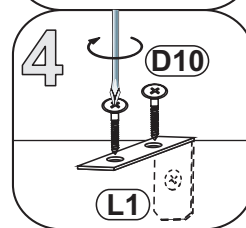
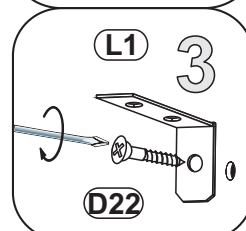
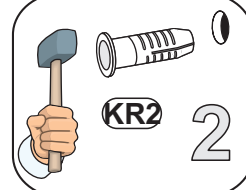
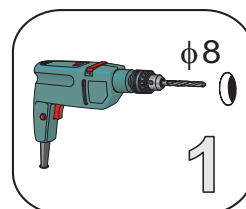


DERBY

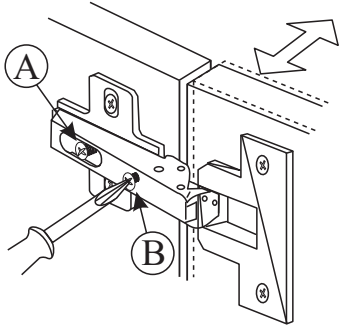
6



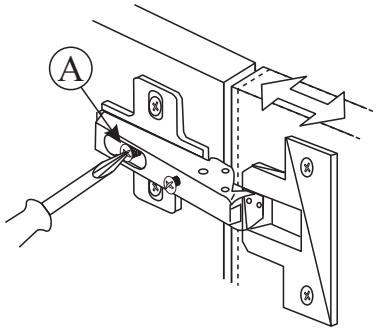
7



a)



b)



c)

