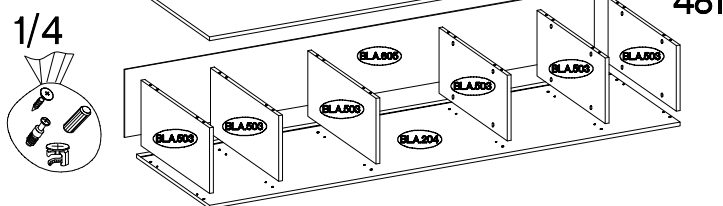
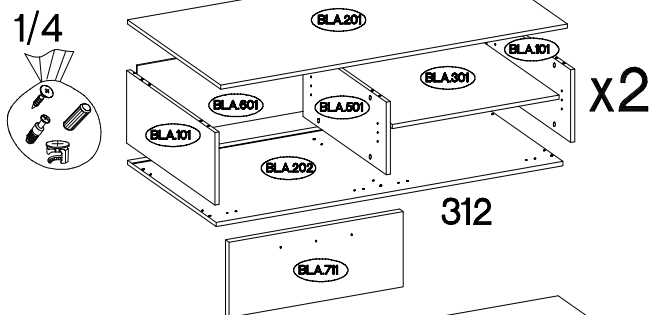
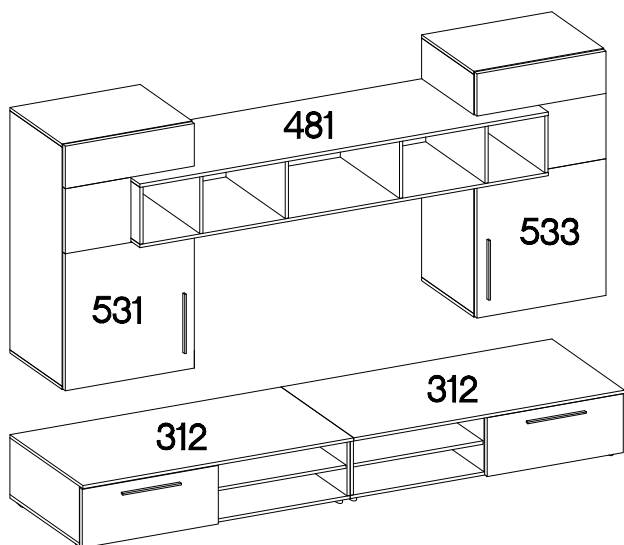
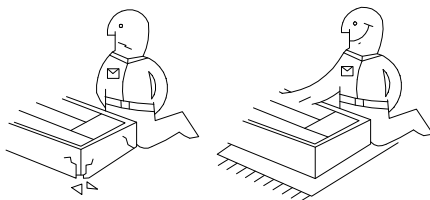
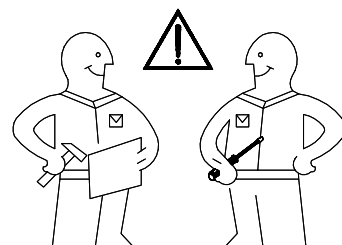
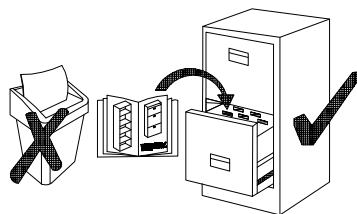
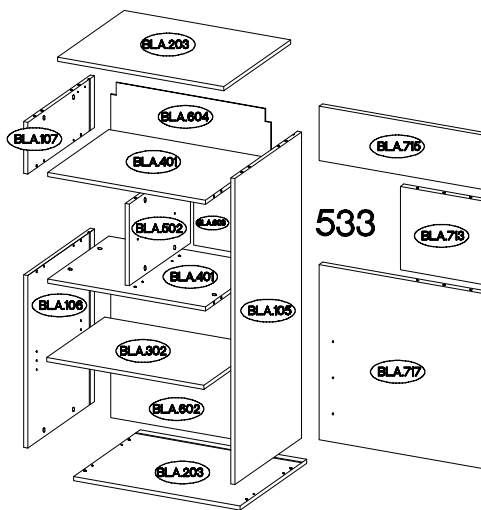
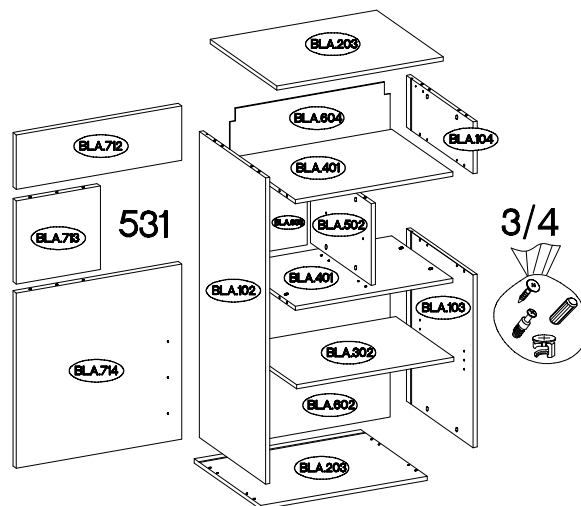


# BETIM

## dub sonoma



Balenie	Typ	Číslo dielov	Rozmery
1/4	312	BLA.101 x4	258x384x15
		BLA.601 x2	267x620x2,5
		BLA.711 x2	628x267x16
	481	BLA.204 x2	1885x352x15
BLA.503 x6		259x329x15	
BLA.605		1881x268x2,5	
2/4	312	BLA.201 x2	1250x404x15
		BLA.202 x2	1250x385x15
		BLA.301 x2	601,5x357x15
		BLA.501 x2	258x362x15
3/4	531	BLA.102	1087x288x15
		BLA.103	613x288x15
		BLA.104	184x288x15
		BLA.203 x2	600x289x15
		BLA.302	567x251x15
		BLA.401 x 2	568x265x15
		BLA.502	290x264x15
		BLA.602	611x577x2,5
		BLA.603	300x294x2,5
		BLA.604	179x577x2,5
		BLA.712	193x596x16
4/4	533	BLA.105	1087x288x15
		BLA.106	613x288x15
		BLA.107	184x288x15
		BLA.203 x2	600x289x15
		BLA.302	567x251x15
		BLA.401 x 2	568x265x15
		BLA.502	290x264x15
		BLA.602	611x577x2,5
		BLA.603	300x294x2,5
		BLA.604	179x577x2,5
		BLA.715	193x596x16
BLA.713	303x296x16		
BLA.717	622x596x16		

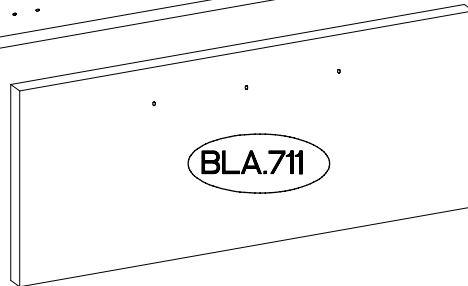
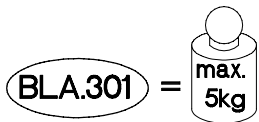
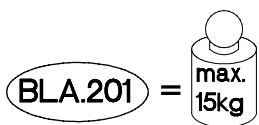
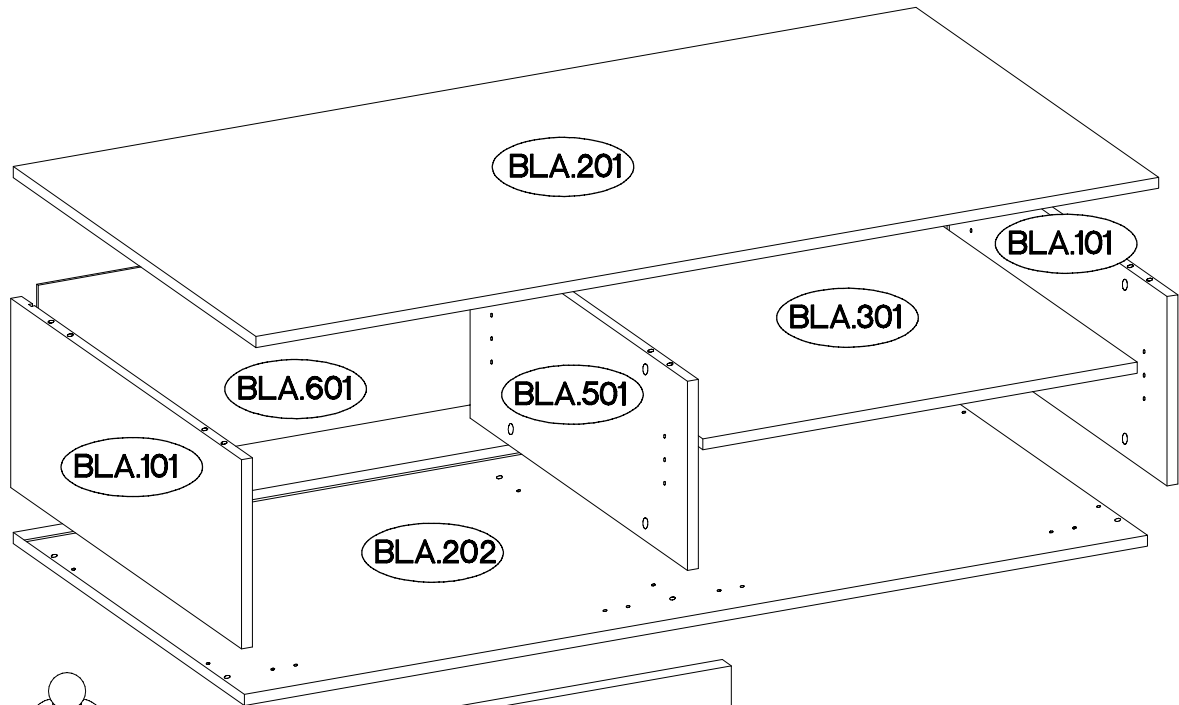
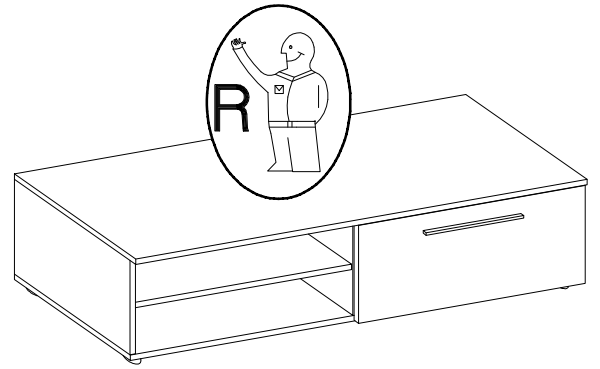
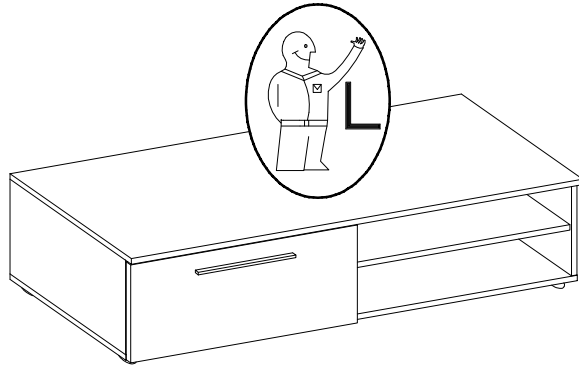


ISM-BLA-01

1

# BETIM

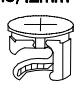
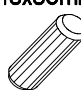


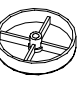
## Typ 312

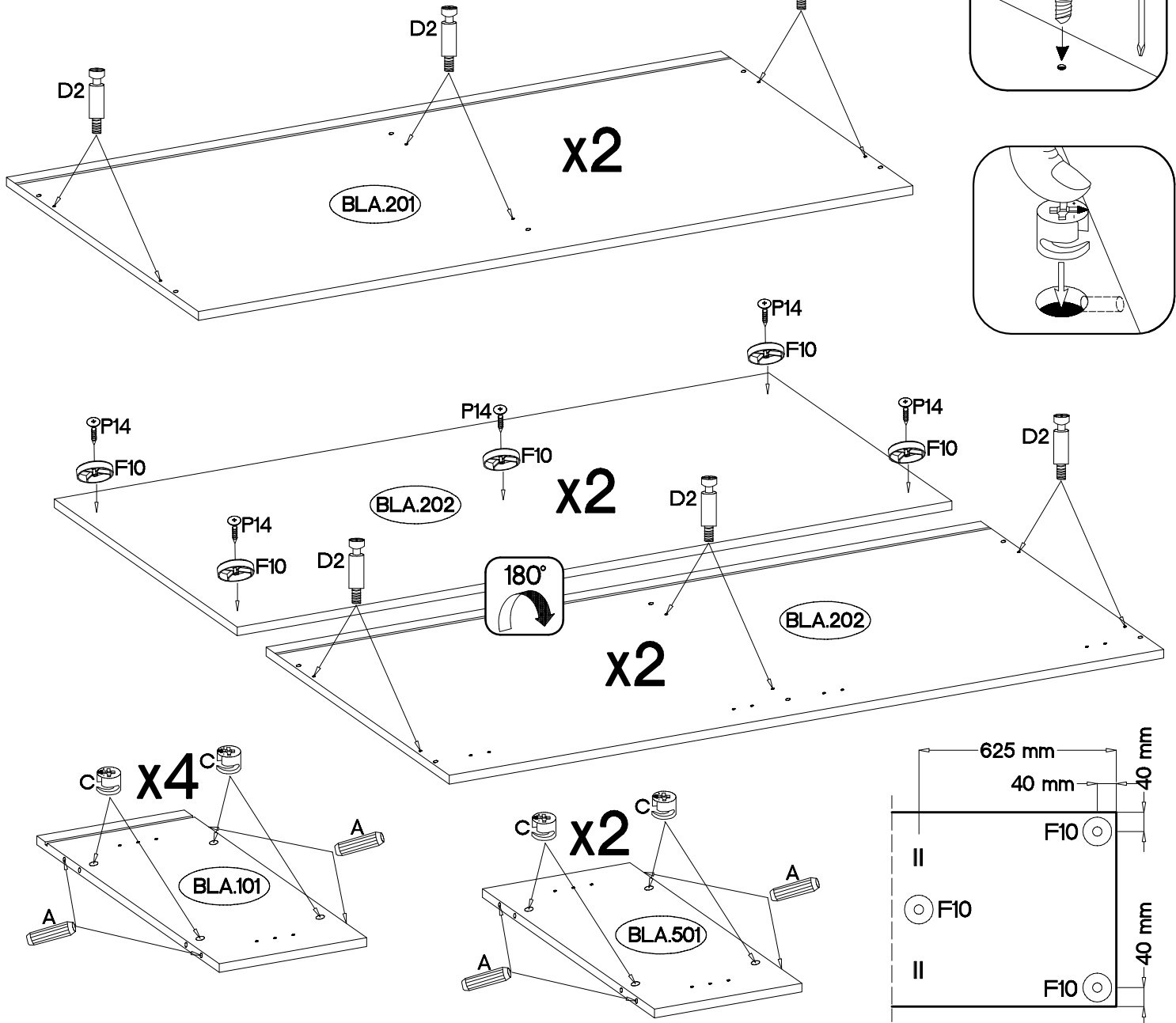
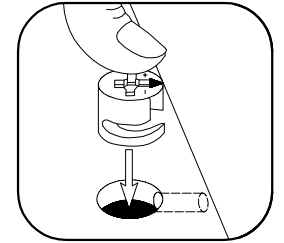
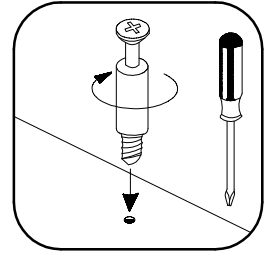


1B:




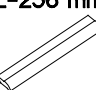

$\pm 15/12\text{mm}$ C 24	$\pm 8 \times 30\text{mm}$ A 24	L=20mm D2 24	$\pm 4.0 \times 25\text{mm}$ P14 10	$\pm 5$ E2 8	L=256 mm S12 2	$\pm 4.0 \times 27\text{mm}$ R1 6	$\pm 5$ J1 8	$\pm 35/0\text{mm}$ G 4	H=0 H 4
$\pm 3.5 \times 13\text{mm}$ P5 14	$\pm 3.0 \times 16\text{mm}$ P11 12	$\pm 3.5 \times 13\text{mm}$ F10 10	$\pm 3.5 \times 13\text{mm}$ K13 2	$\pm 3.5 \times 13\text{mm}$ L 6	$\pm 3.5 \times 13\text{mm}$ E 24	$\pm 3.5 \times 13\text{mm}$ L 6	$\pm 3.5 \times 13\text{mm}$ E 24	$\pm 3.5 \times 13\text{mm}$ P11 12	$\pm 3.5 \times 13\text{mm}$ P11 12

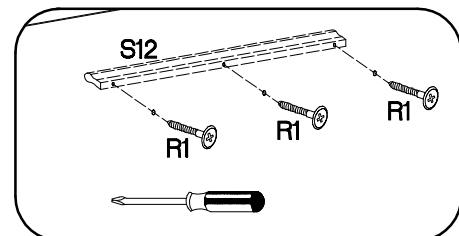
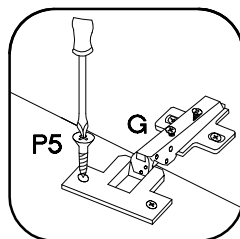
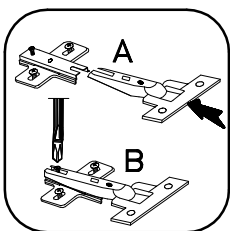
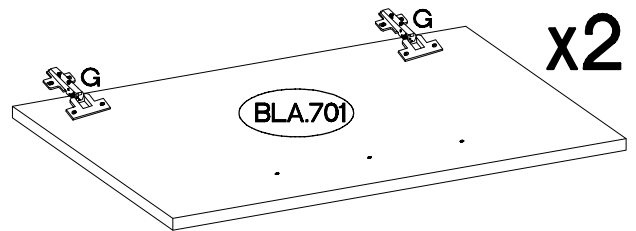
# 2

±15/12mm  C 24	±8x30mm  A 24	L=20mm  D2 24	±4.0x25mm  P14 10	 F10 10
---	--	--	--	---

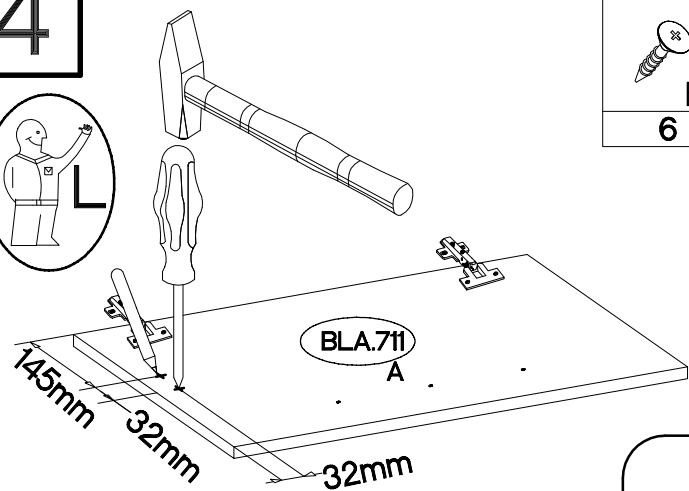
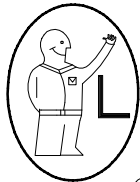


# 3

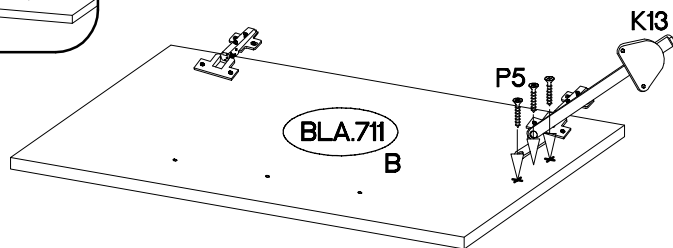
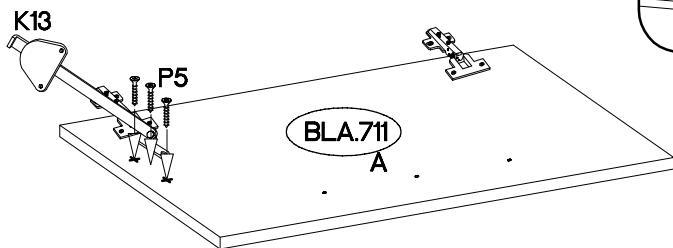
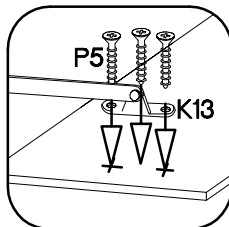
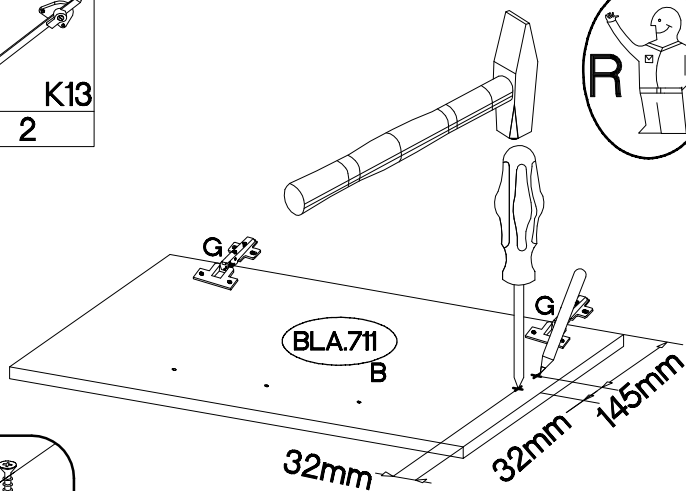
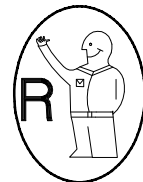
±35/0mm  G 4	H=0  H 4	±3.5x13mm  P5 8	L=256 mm  S12 2	±4.0x27mm  R1 6
--	--	---	---	---



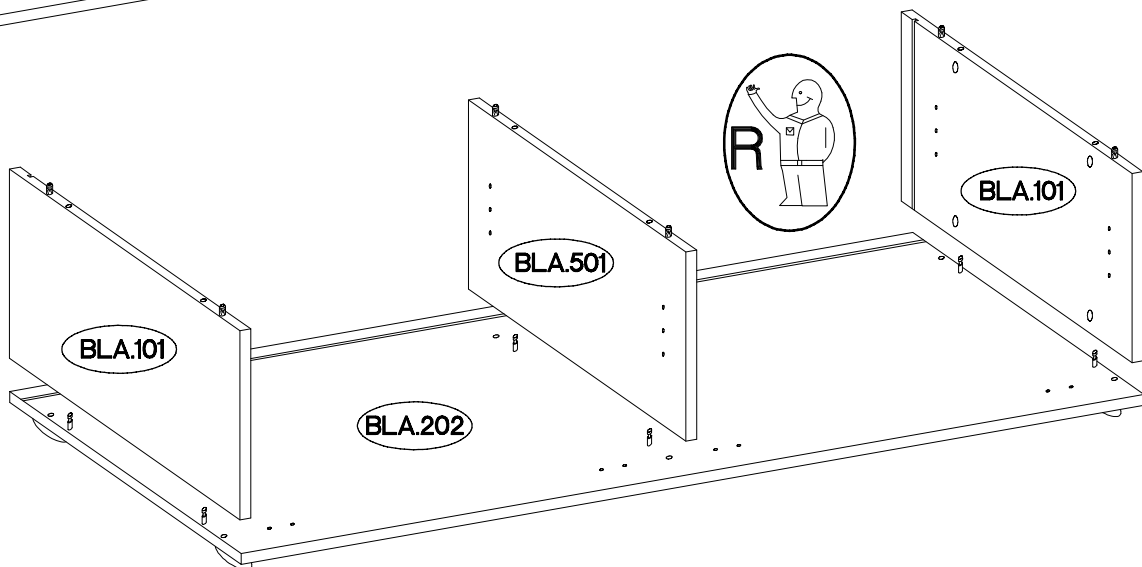
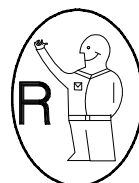
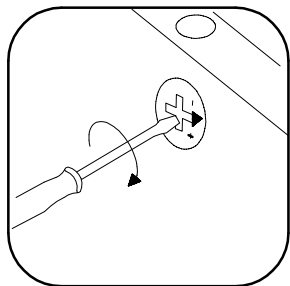
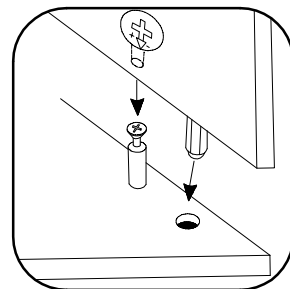
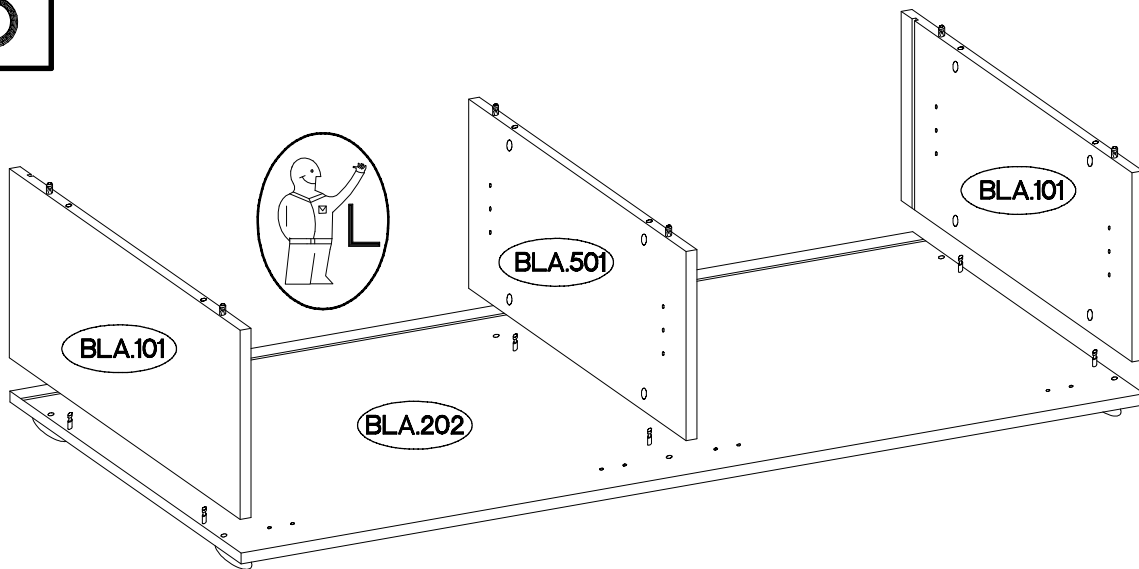
4



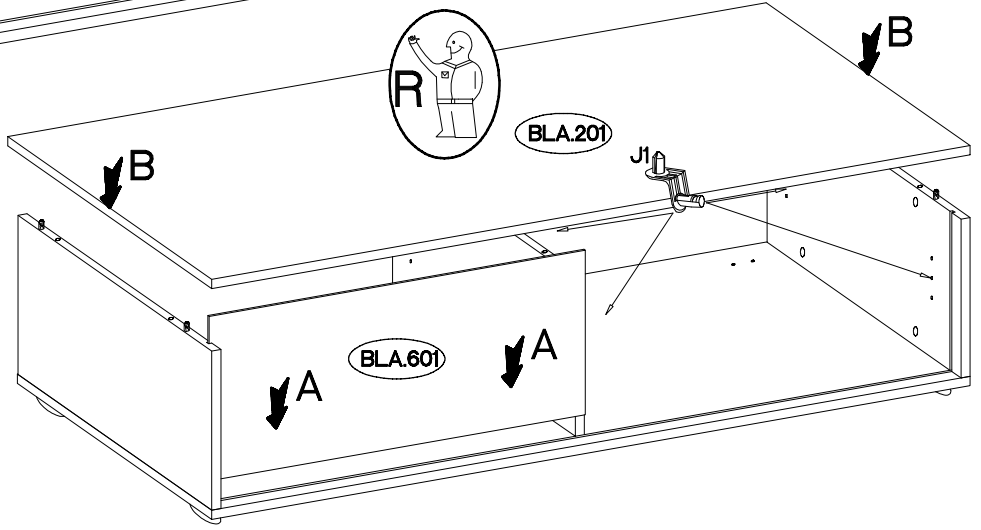
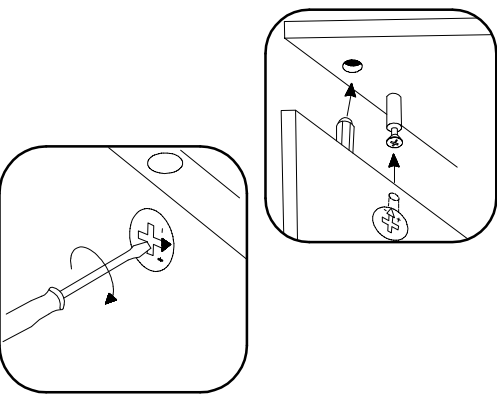
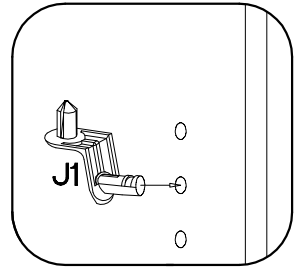
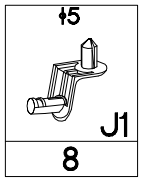
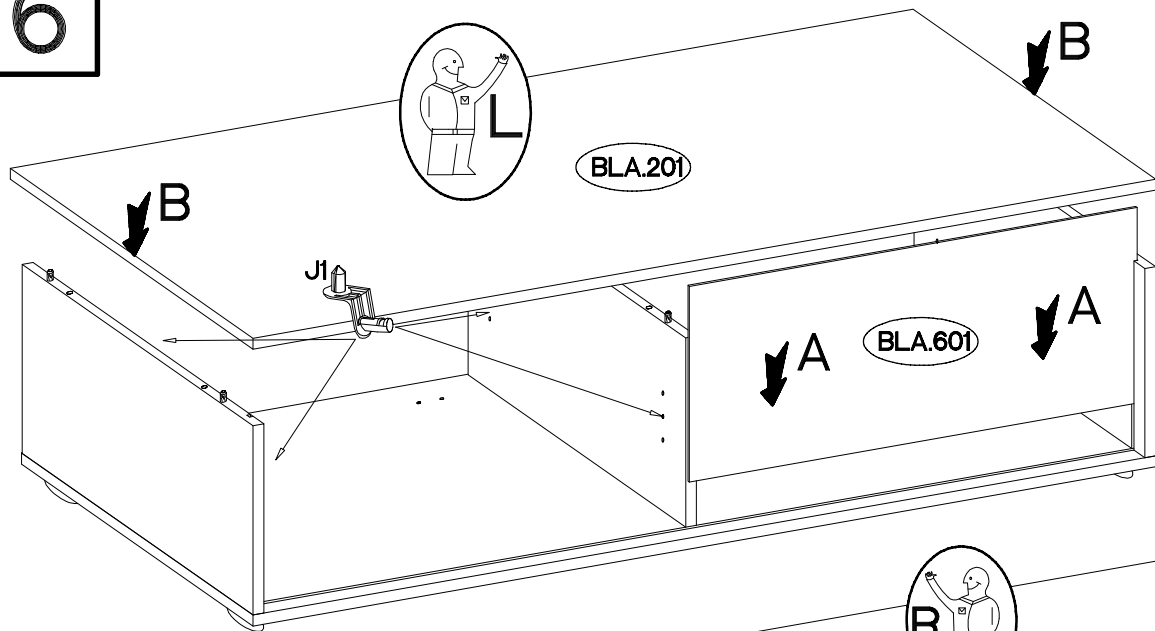
±3.5x13mm		
	P5	K13
	6	2



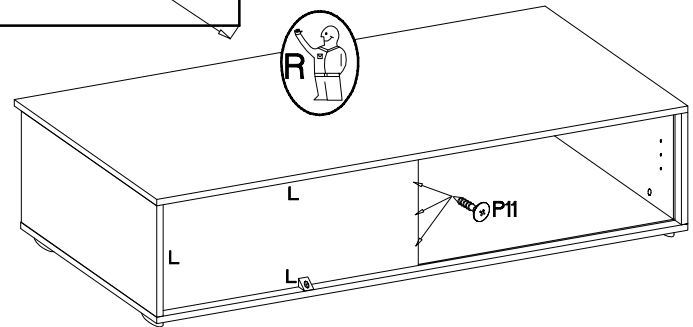
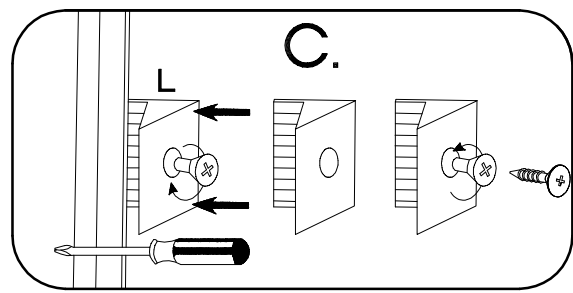
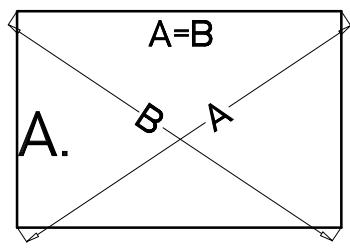
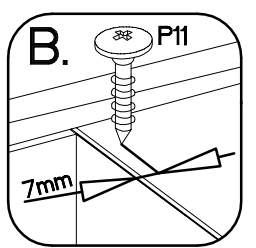
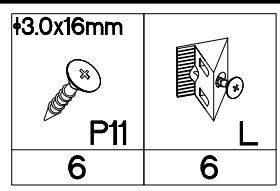
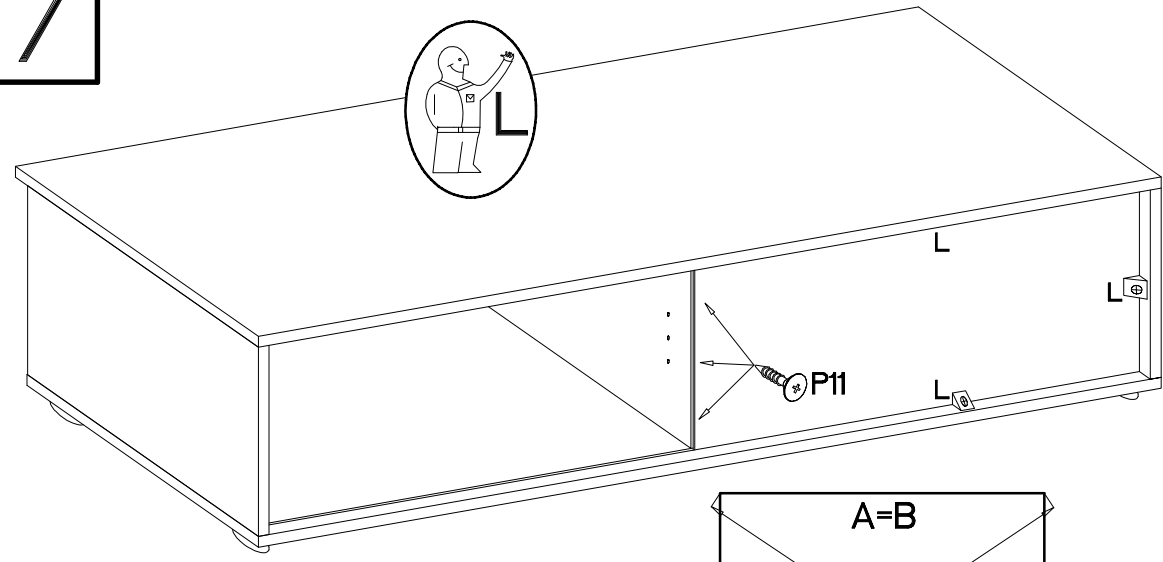
5





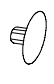
6

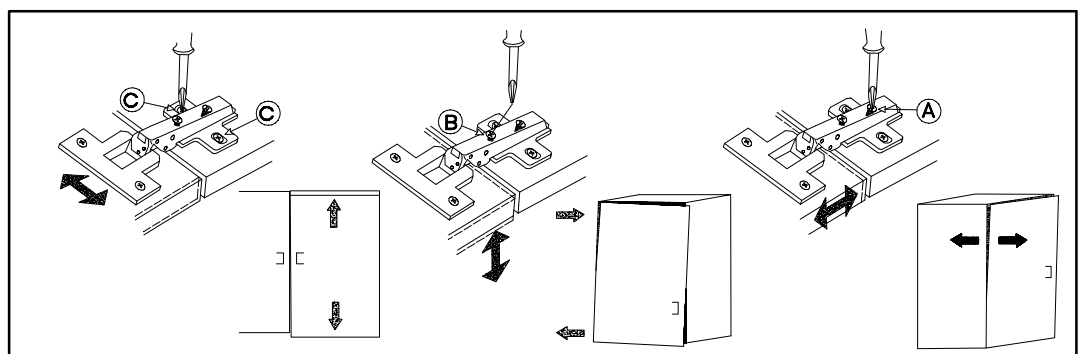
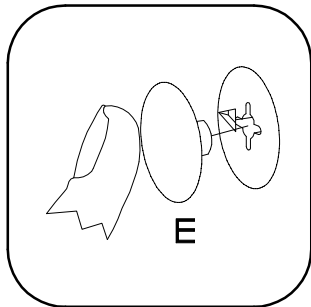
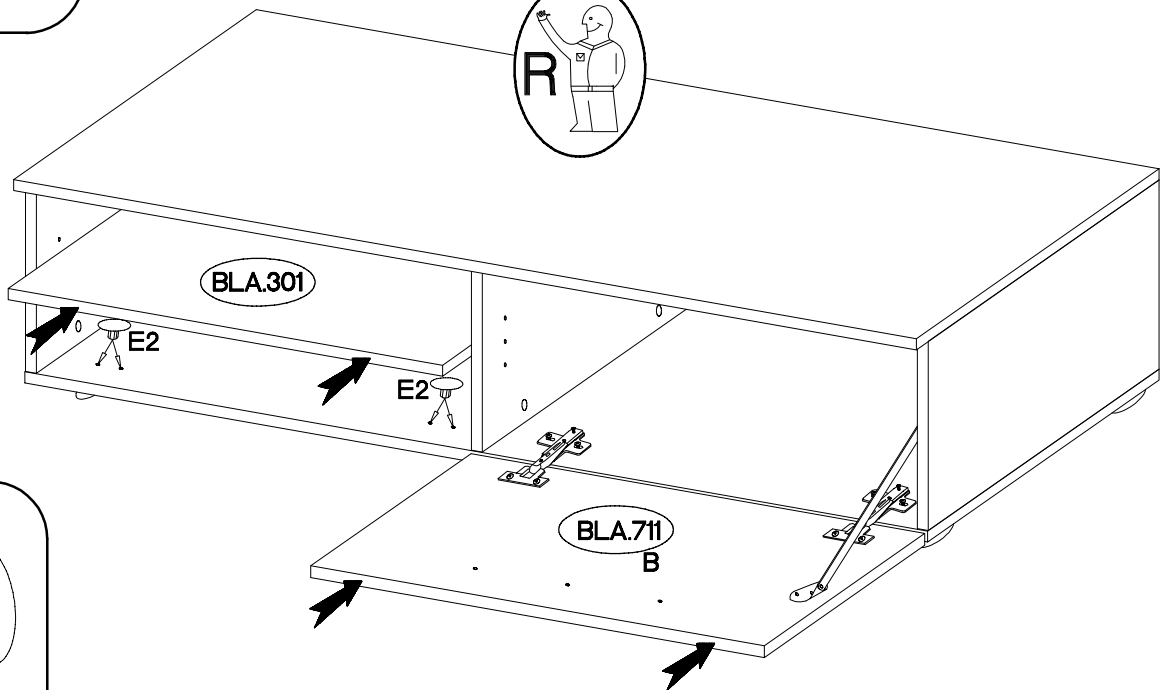
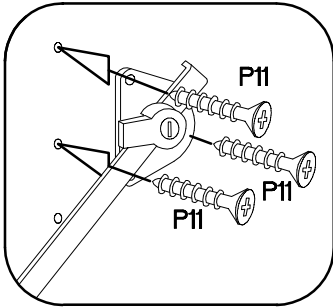
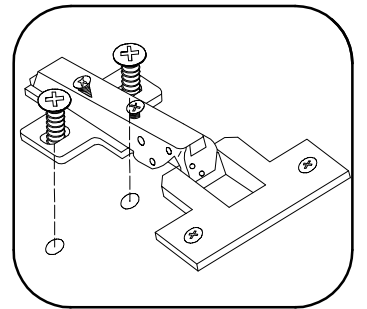
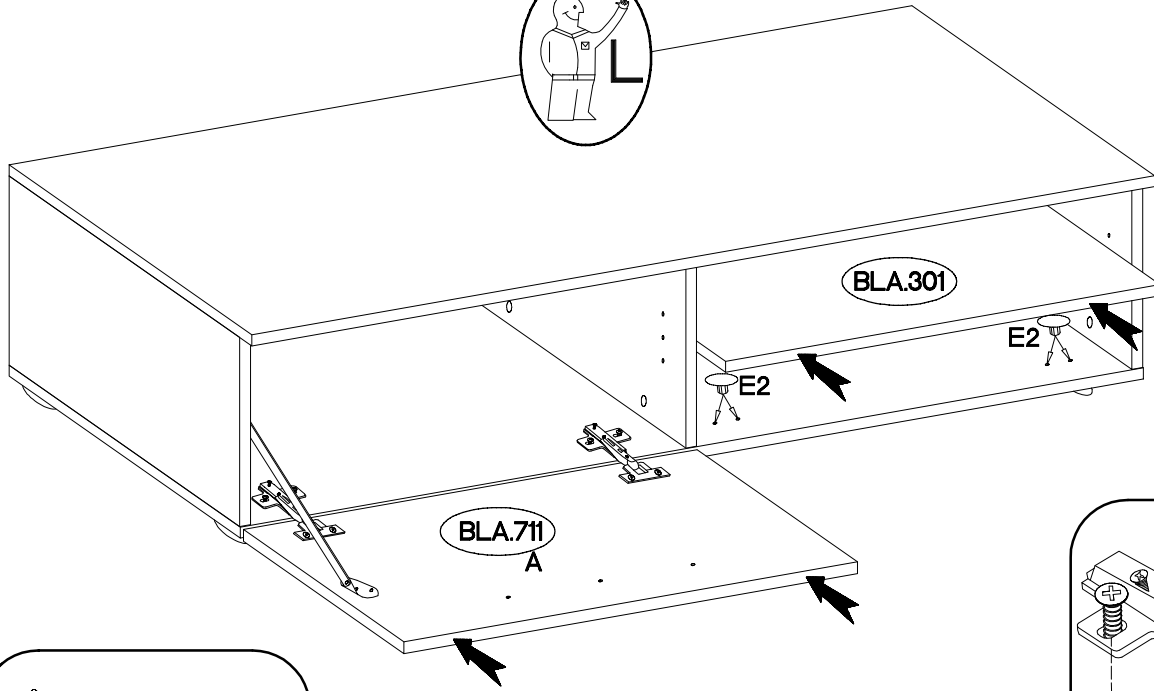
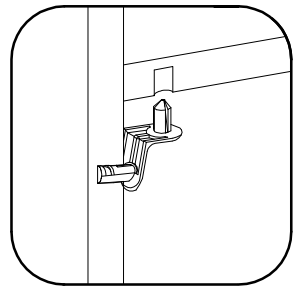


7



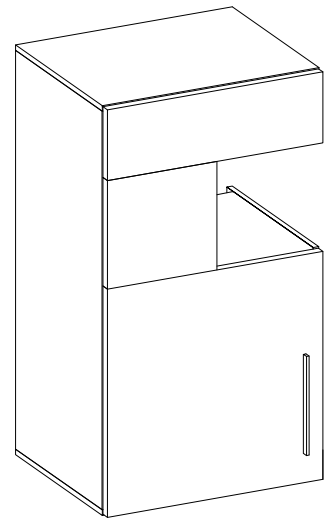
8

 E 24	 P11 6	 E2 8
---	--	---

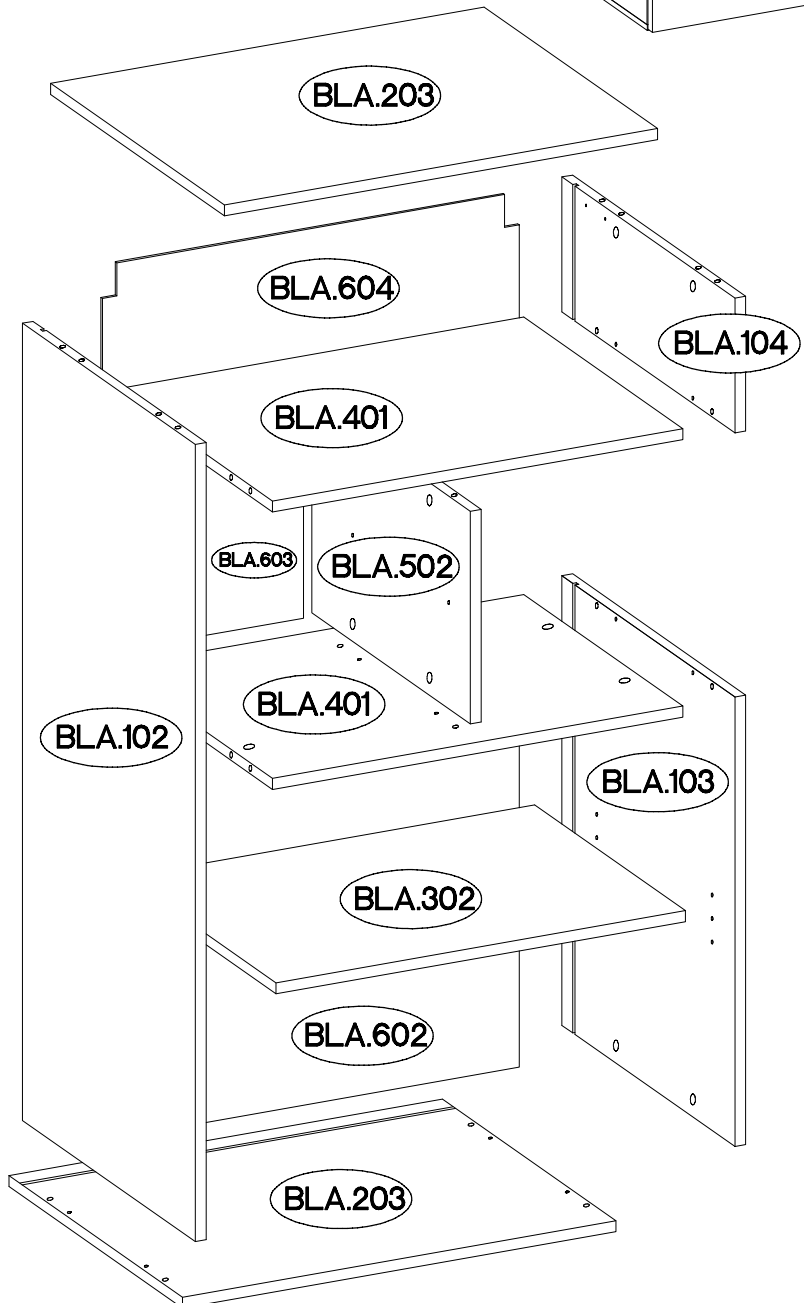
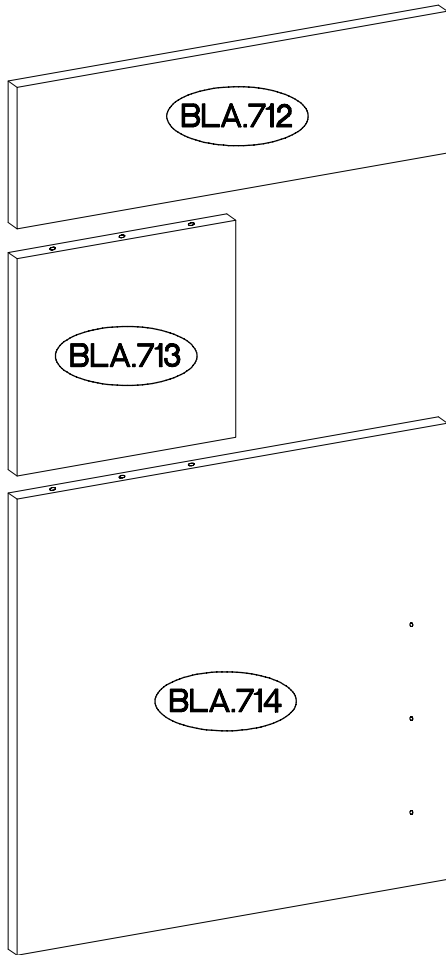


# BETIM

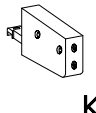




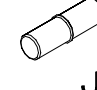
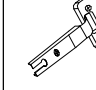
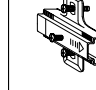
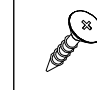
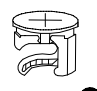
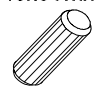

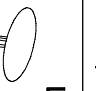
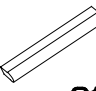


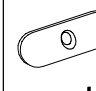

## Typ 531






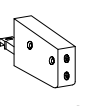

- BLA.203
- BLA.302 = max. 5kg
- BLA.401

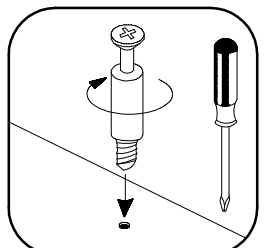
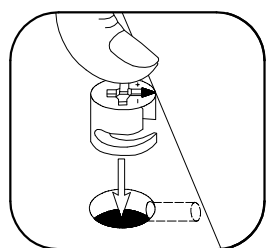
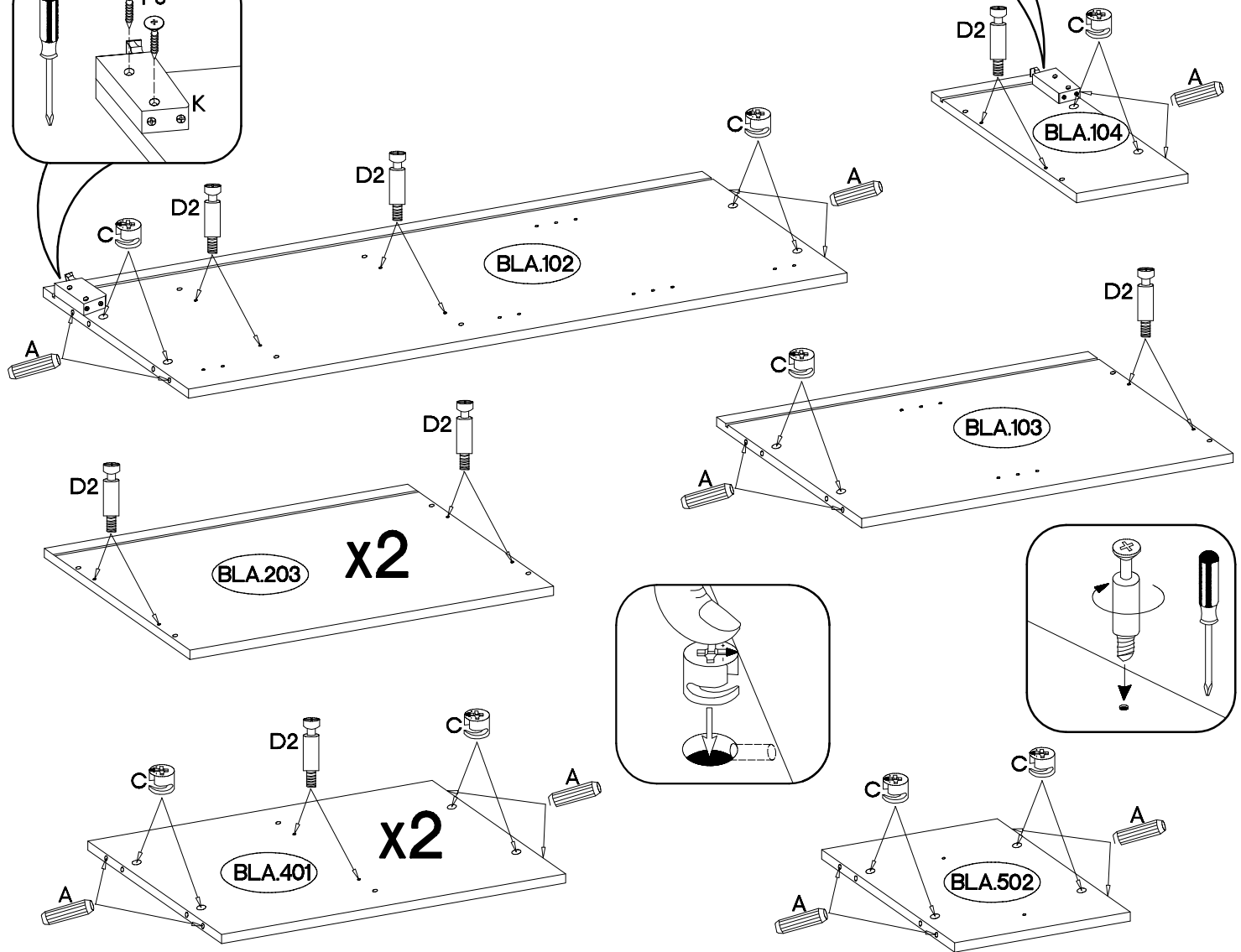
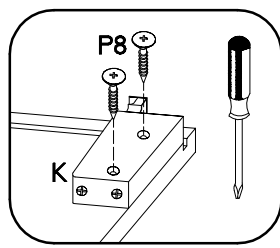
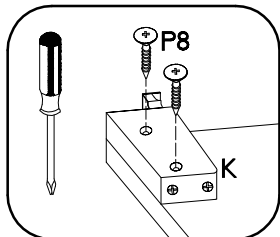


**2B** :

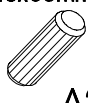

								
2	4	2	2	6	4	3	3	6
								
20	20	20	16	1	3	1	6	8

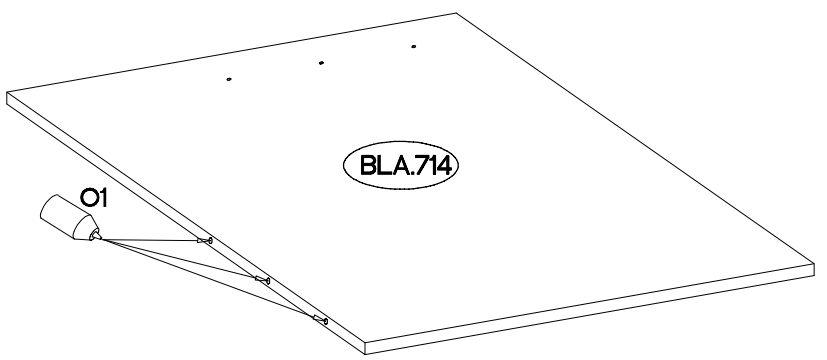
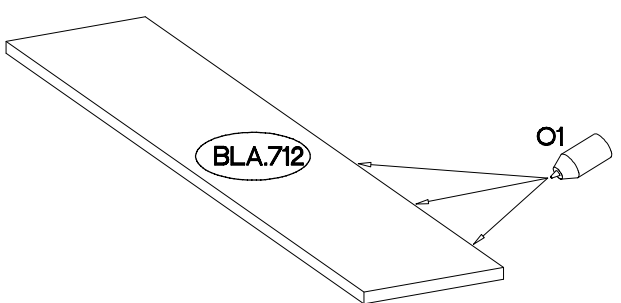
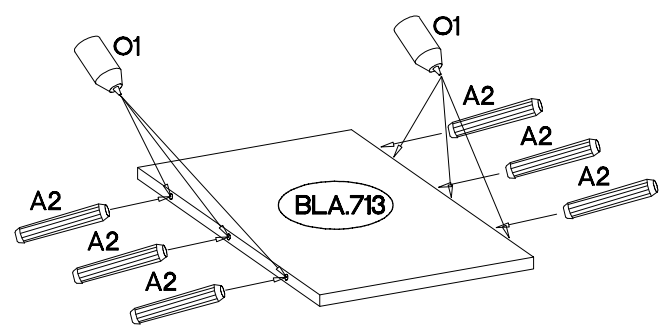
# 10

 #15/12mm C 20	 #8x30mm A 20	 L=20mm D2 20	 K 2	 #4.0x30mm P8 4
---	--	--	--	--



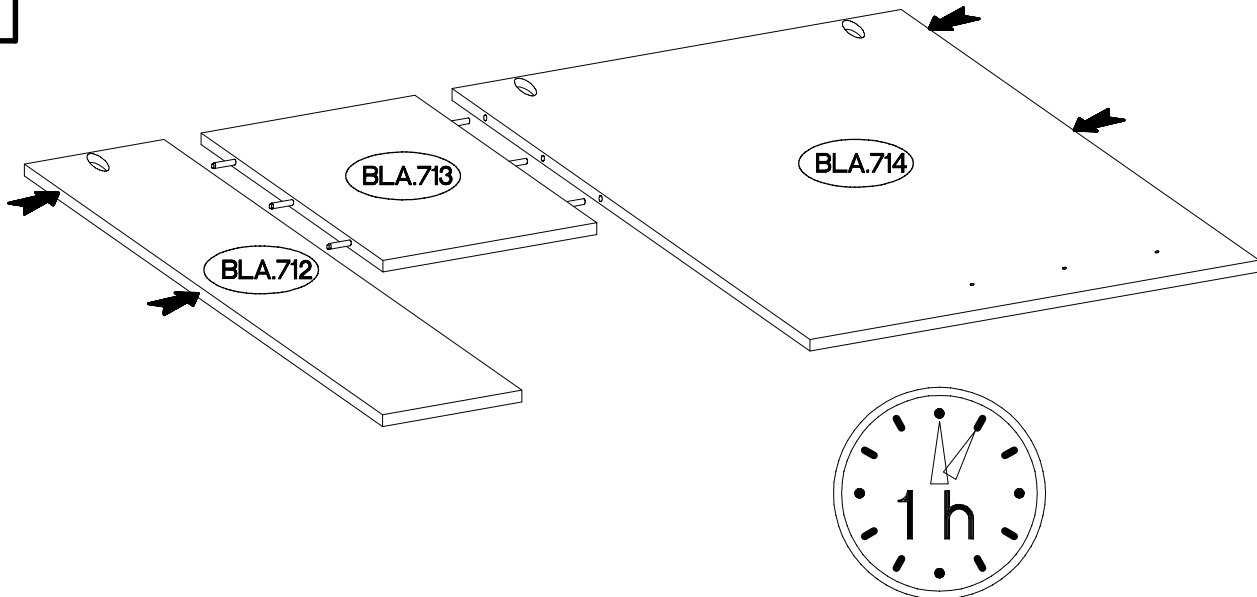
# 11

 #8x60mm A2 6	 O1 1
---	--

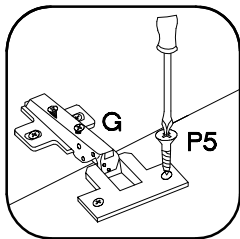




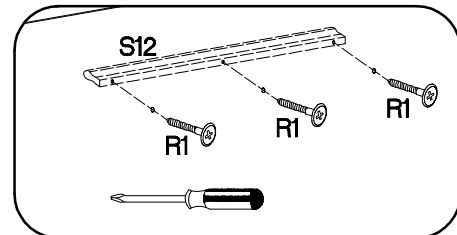
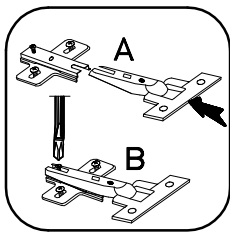
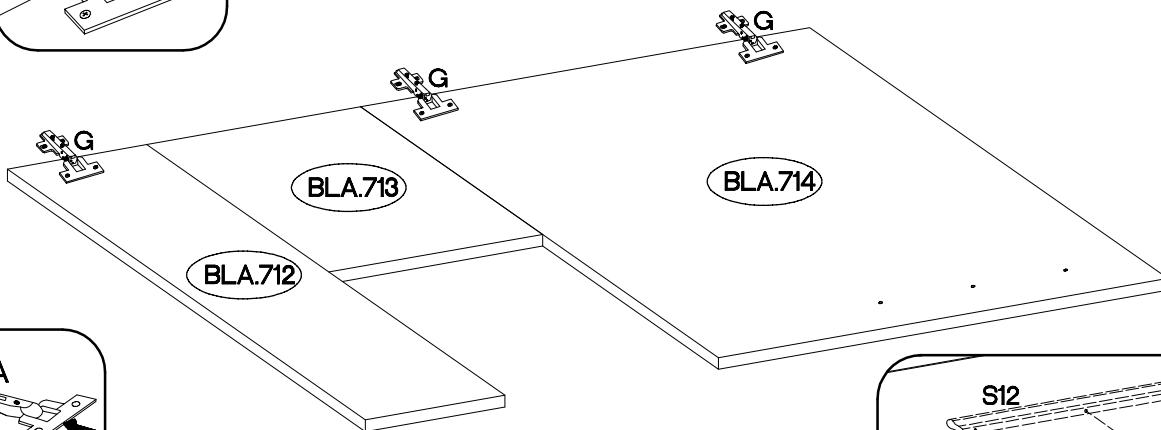
12



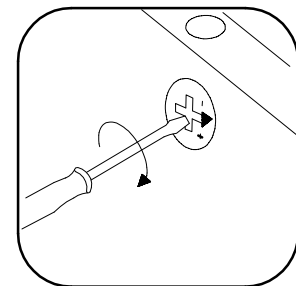
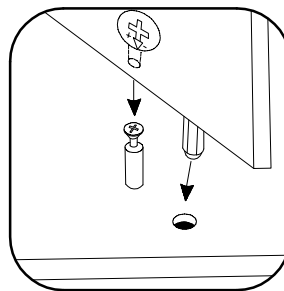
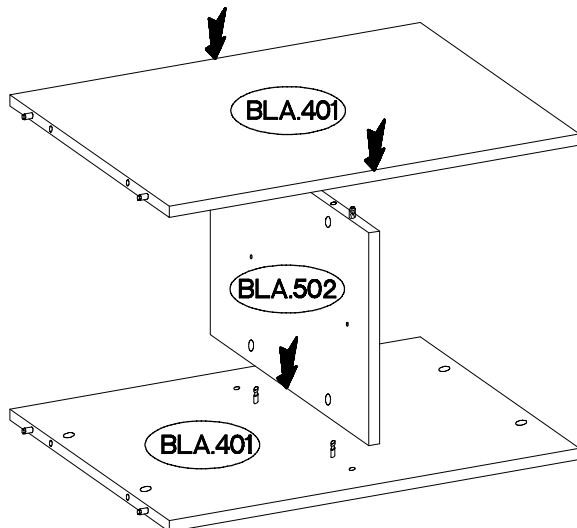
13



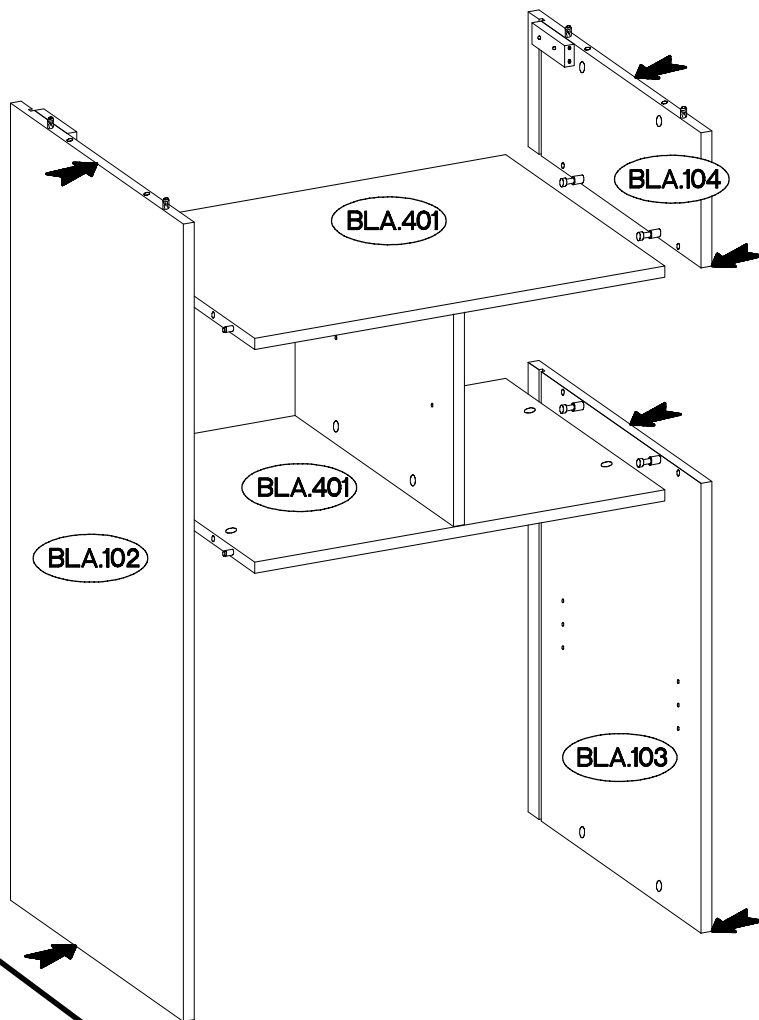
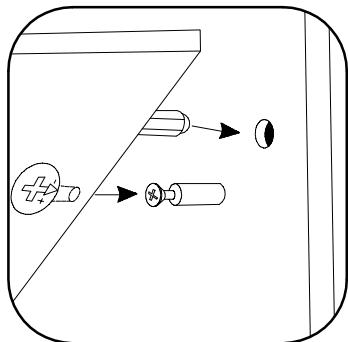
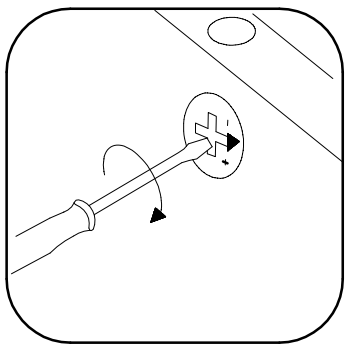
L=256 mm	+4.0x27mm	+35/0mm	H=0	+3.5x13mm
S12	R1	G	H	P5
1	3	3	3	6



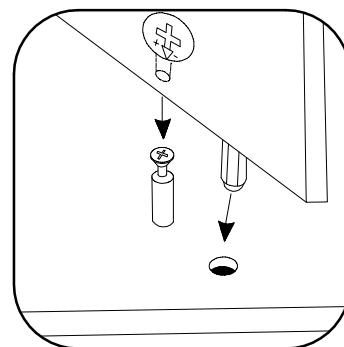
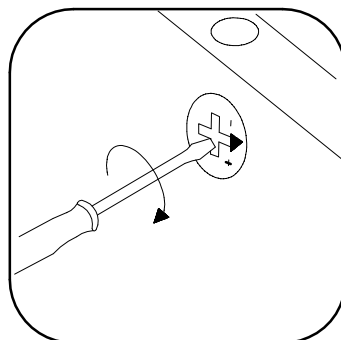
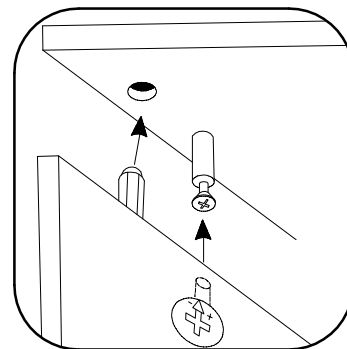
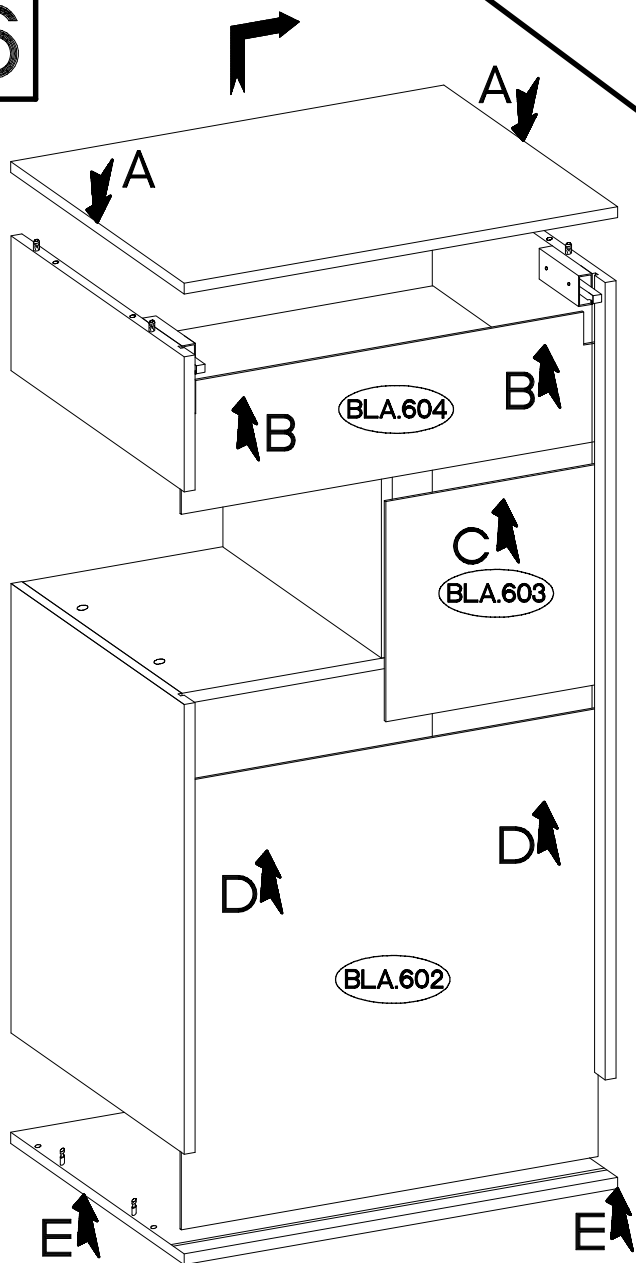
14



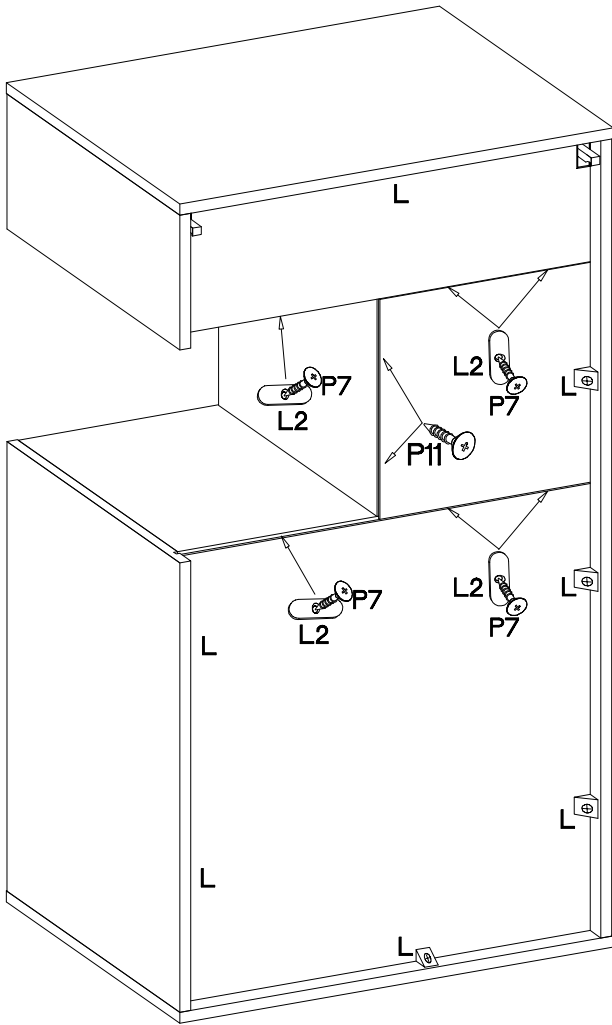
15



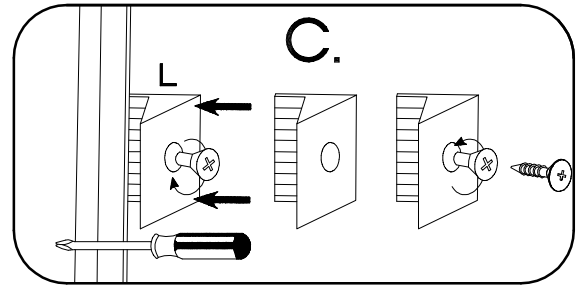
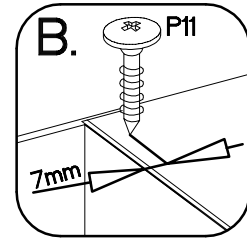
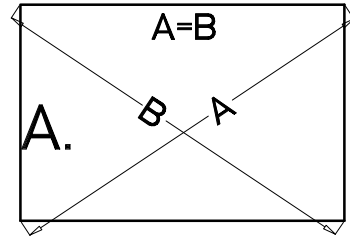
16



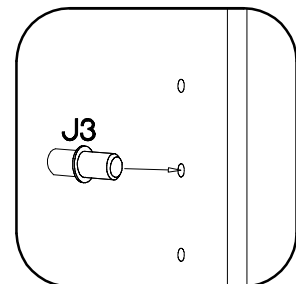
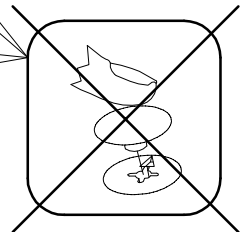
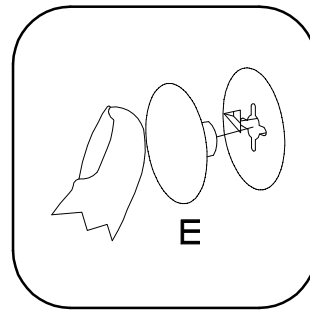
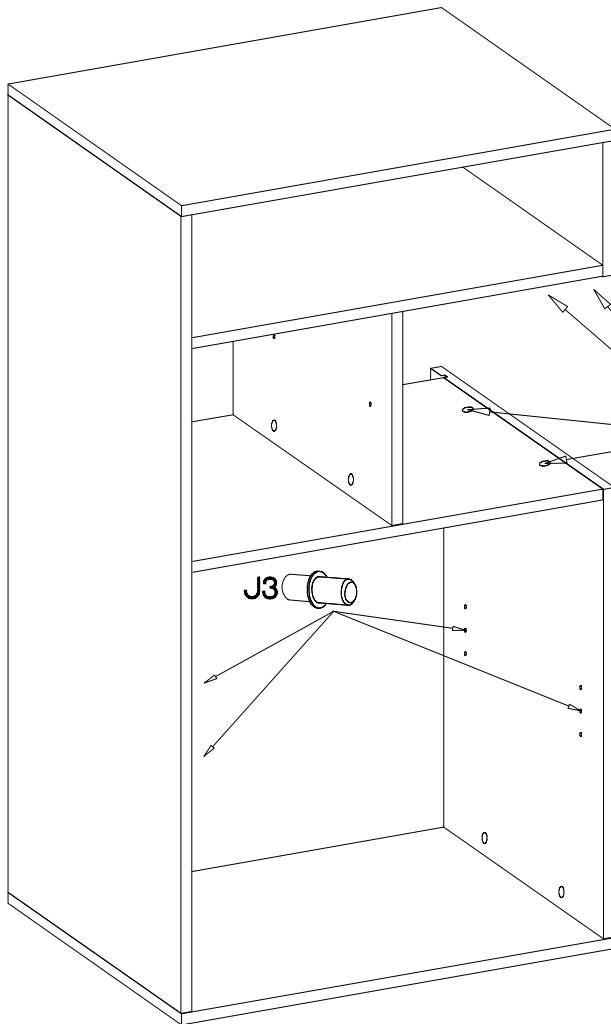
17



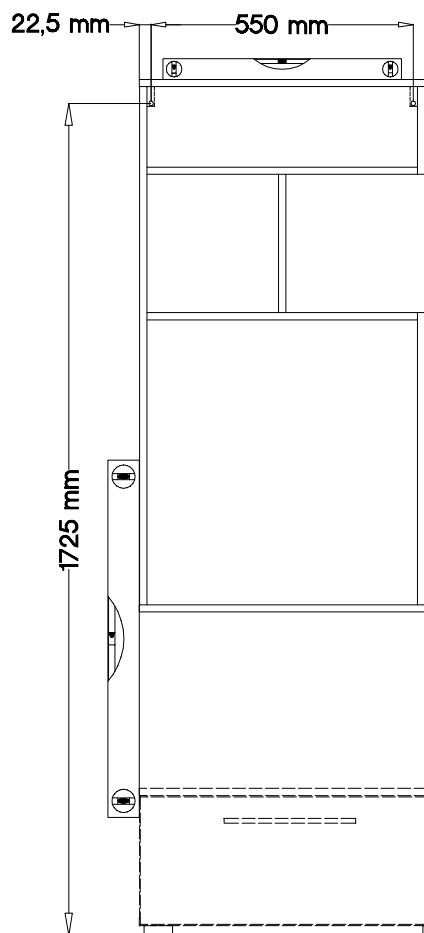
		$\pm 3.0 \times 20 \text{mm}$ 
L2	L	P7
6	7	8



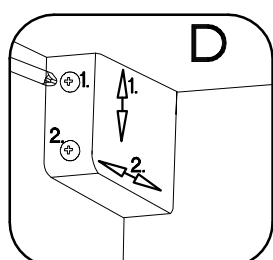
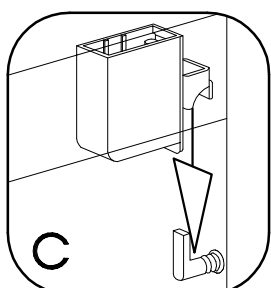
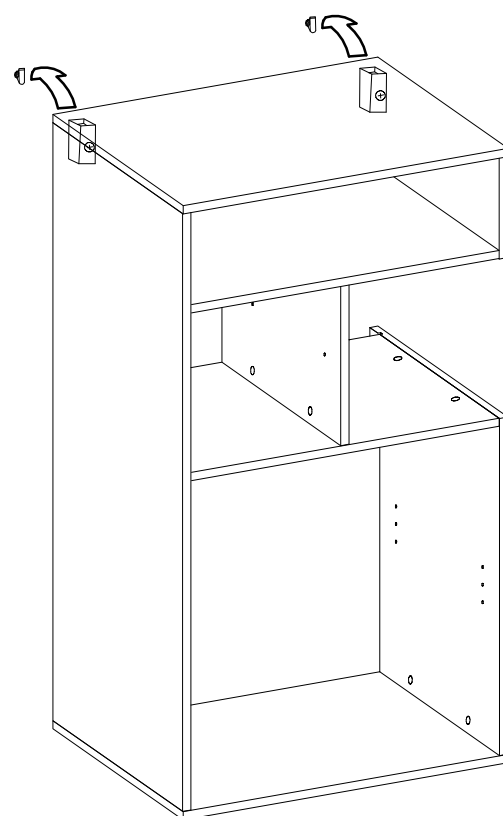
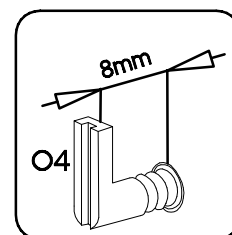
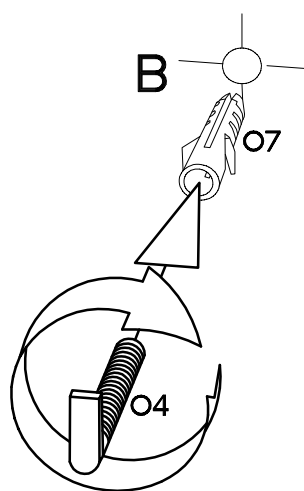
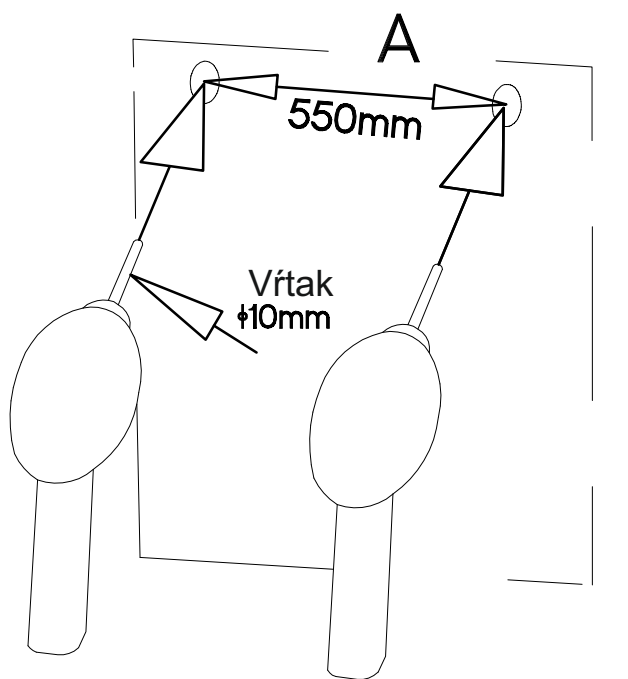
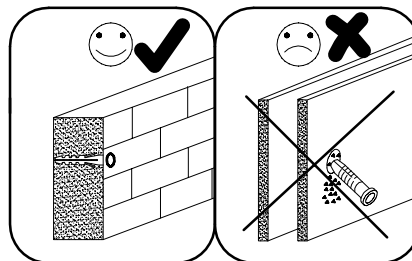
18

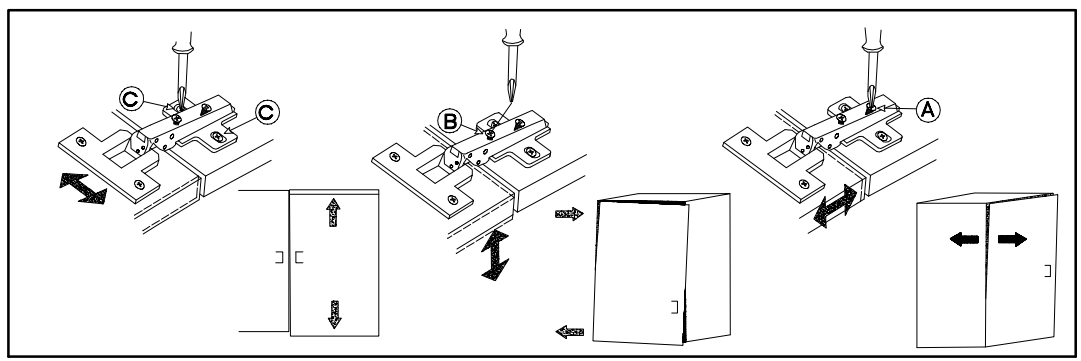
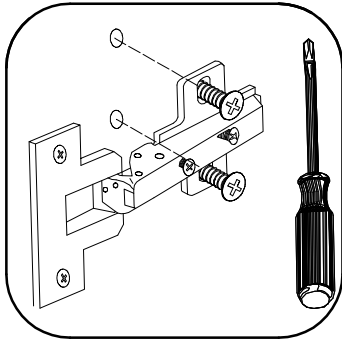
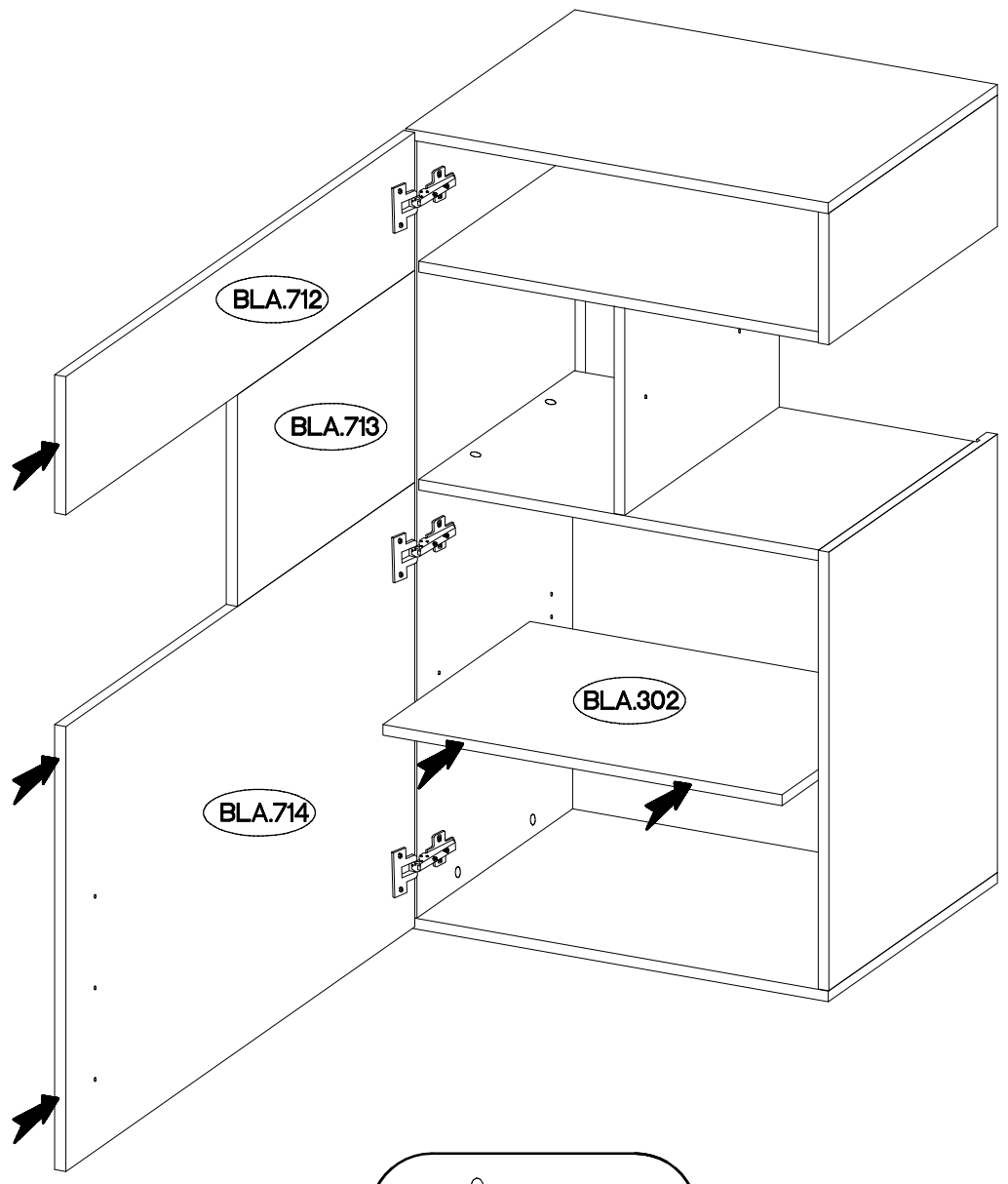


E	J3
16	4



6,5/68mm	†10x50mm
O4	O7
2	2





# BETIM

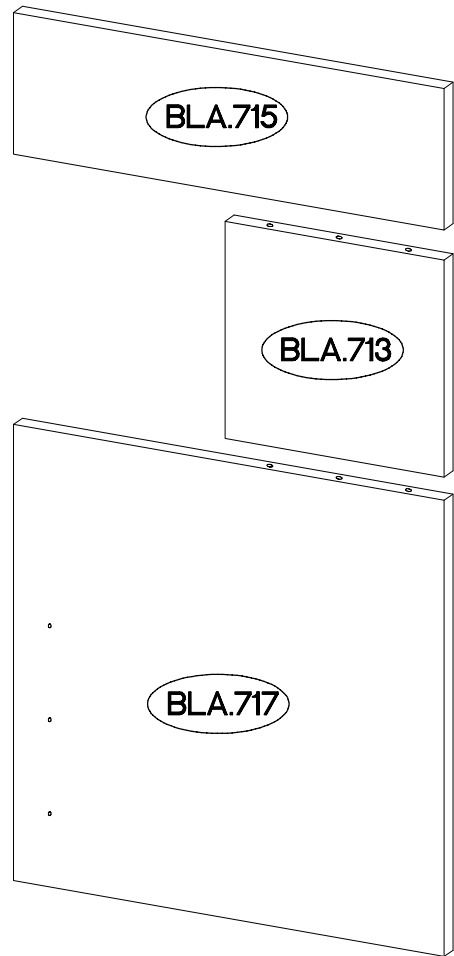
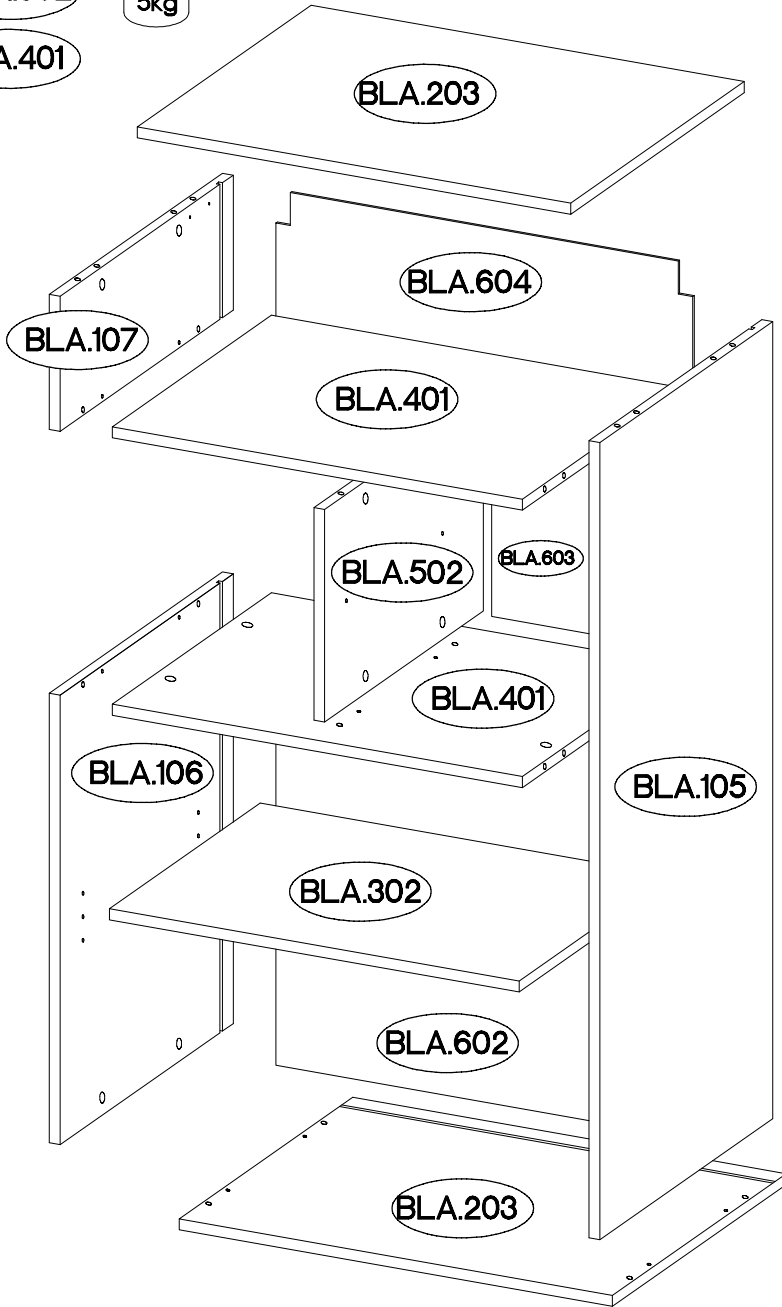
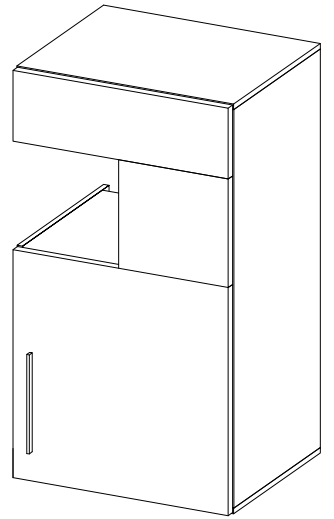
## Typ 533

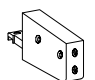





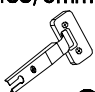
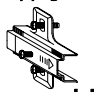





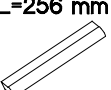


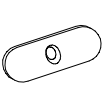

BLA.203

BLA.302 =




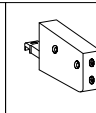



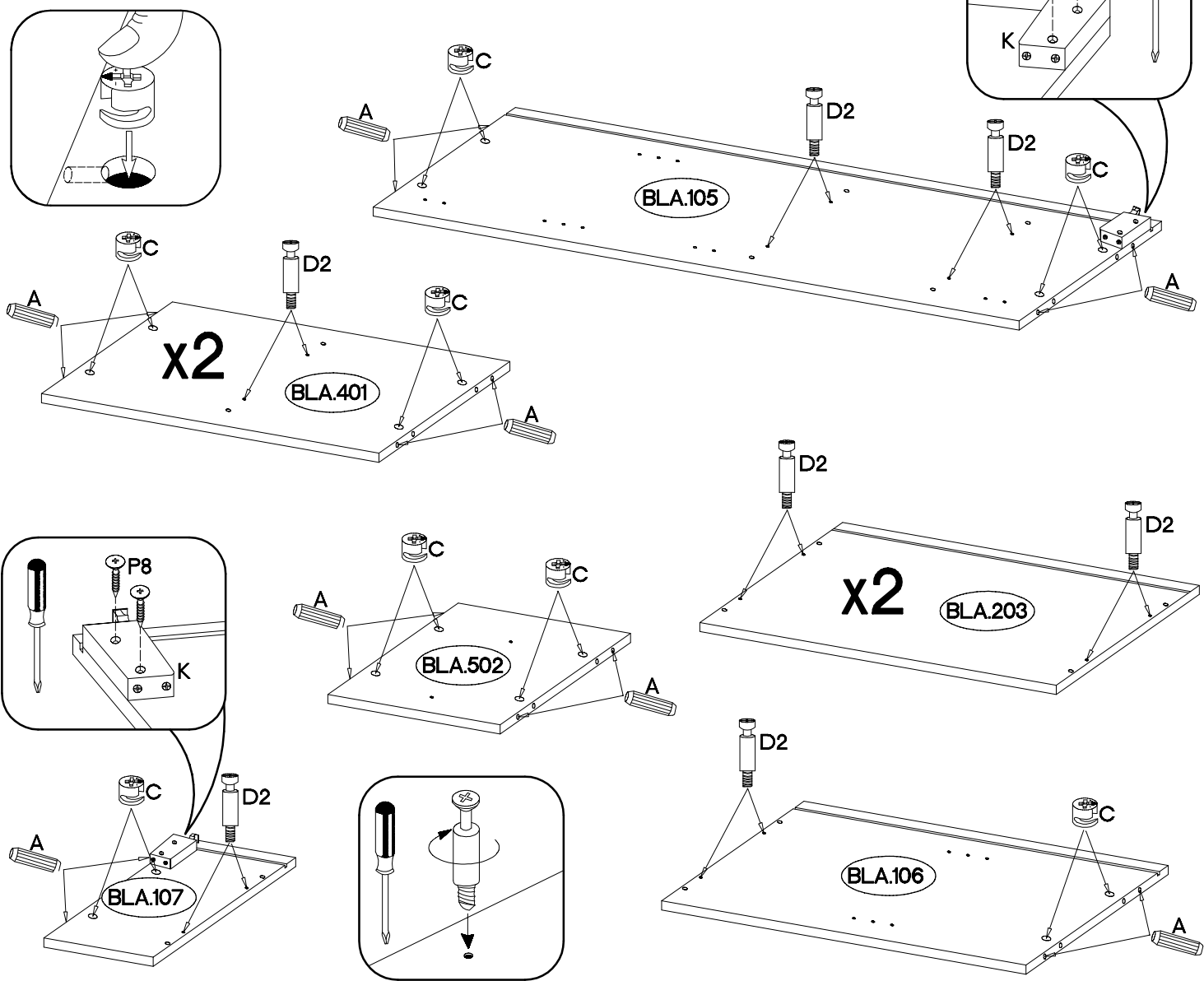
BLA.401





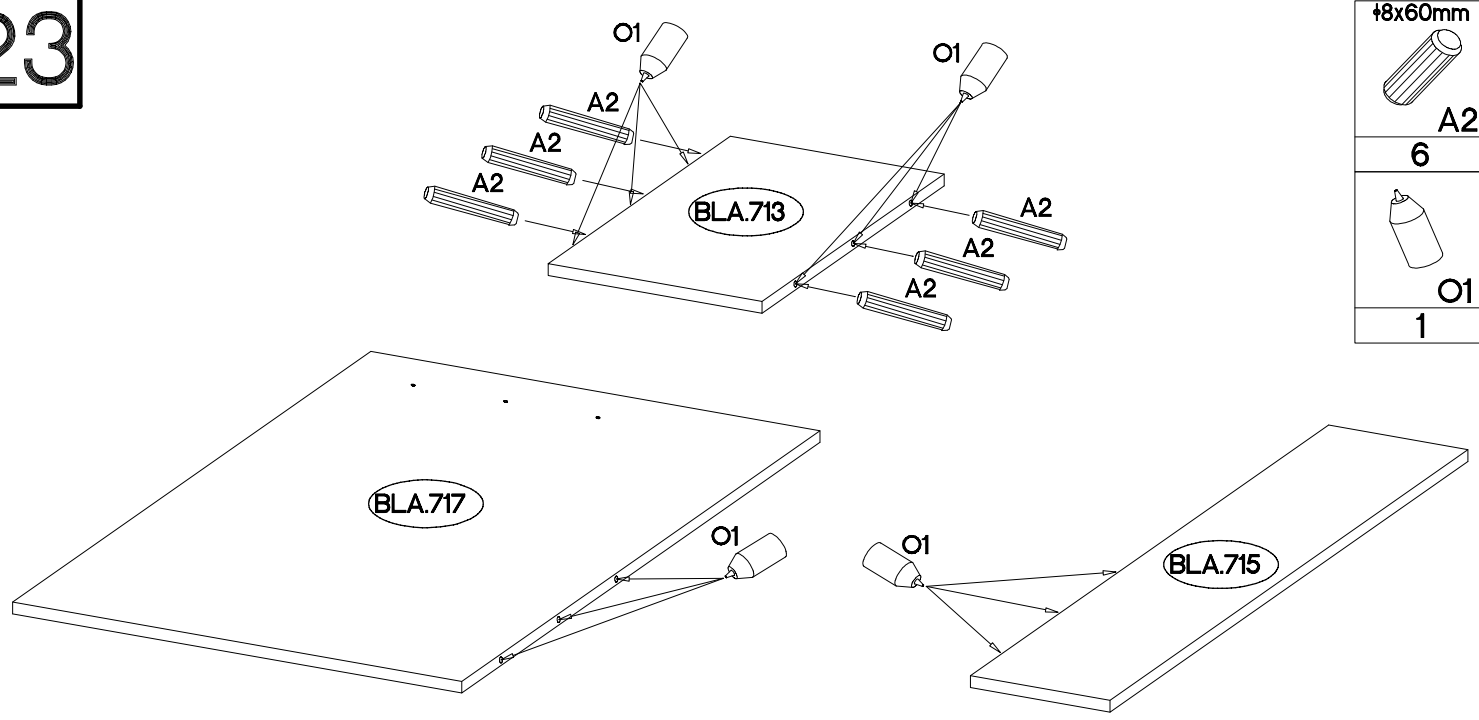
								
2	4	2	2	6	4	3	3	6
								
20	20	20	16	1	3	1	6	8

3B :

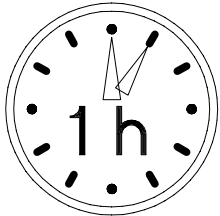
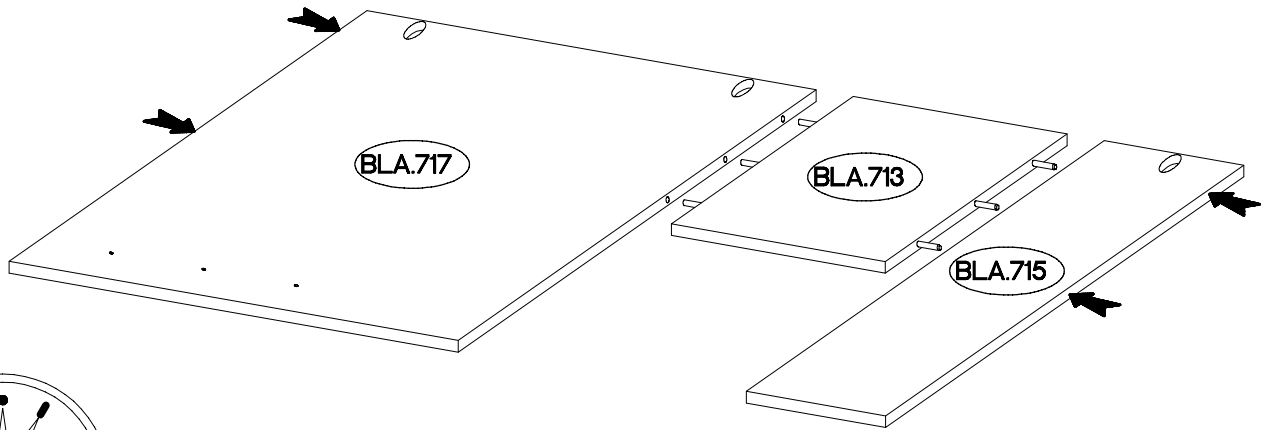
 <b>‡15/12mm</b> <b>C</b>	 <b>‡8x30mm</b> <b>A</b>	 <b>L=20mm</b> <b>D2</b>	 <b>K</b>	 <b>‡4.0x30mm</b> <b>P8</b>
20	20	20	2	4



 <b>‡8x60mm</b> <b>A2</b>
6
 <b>O1</b>
1

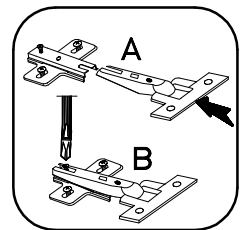
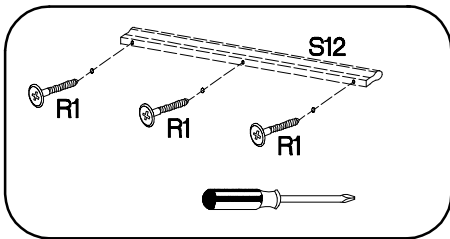
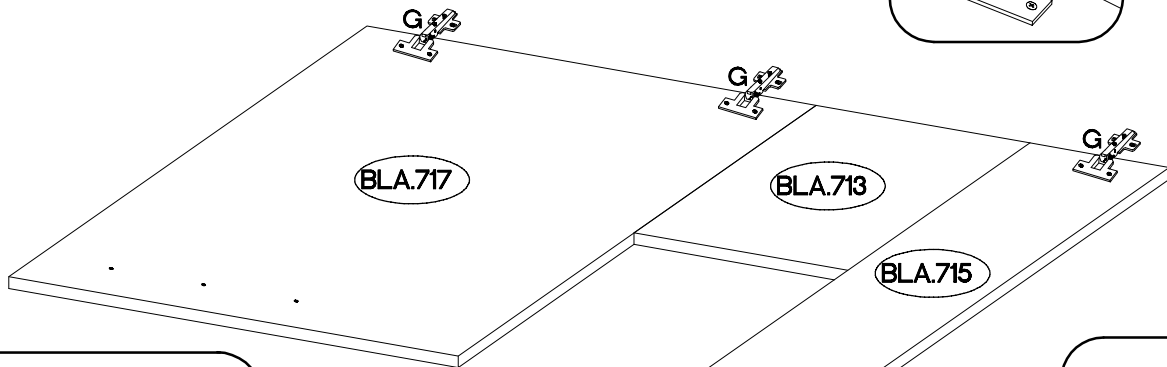
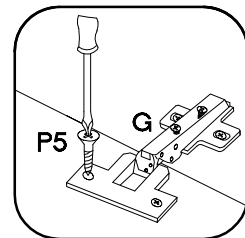


24

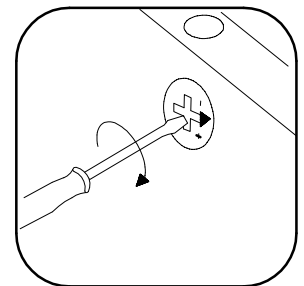
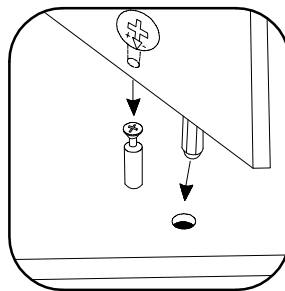
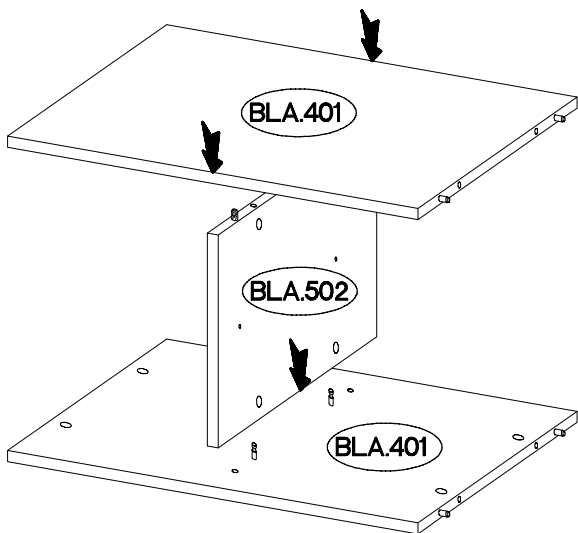


25

L=256 mm	4.0x27mm	35/0mm	H=0	3.5x13mm
1	3	3	3	6

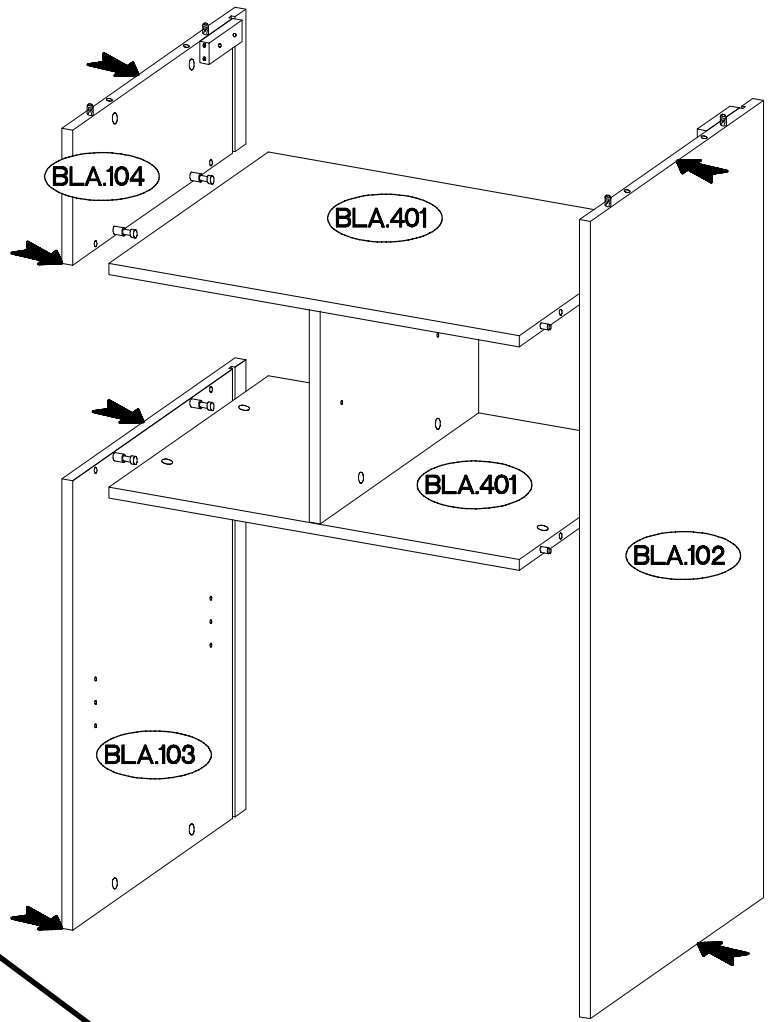
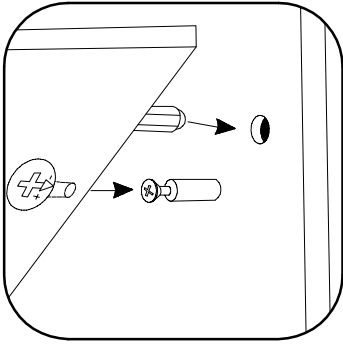
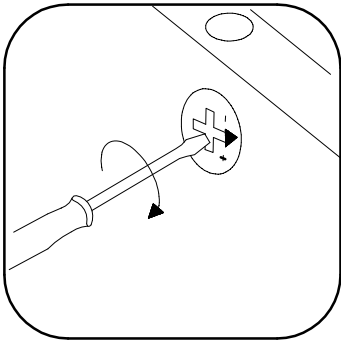


26

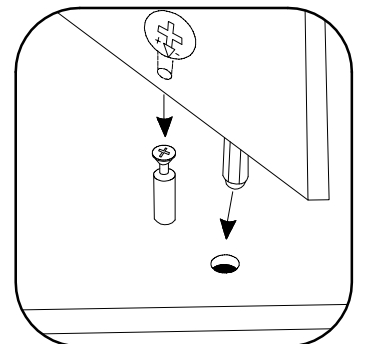
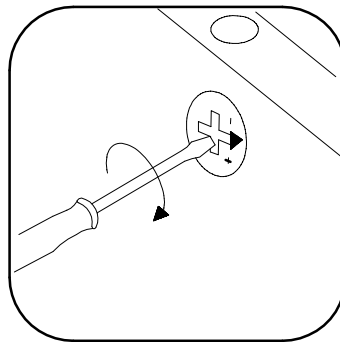
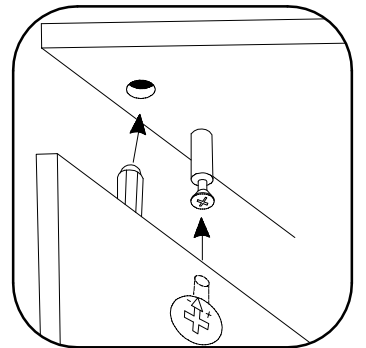
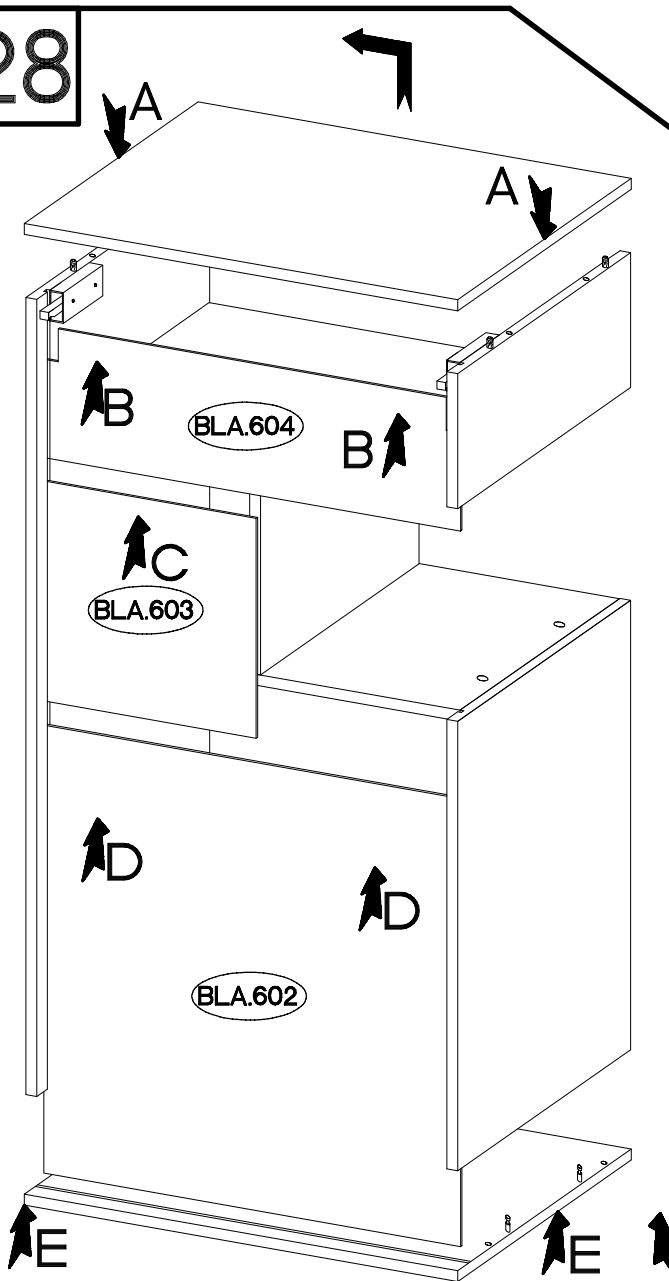




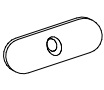
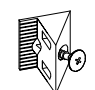

27



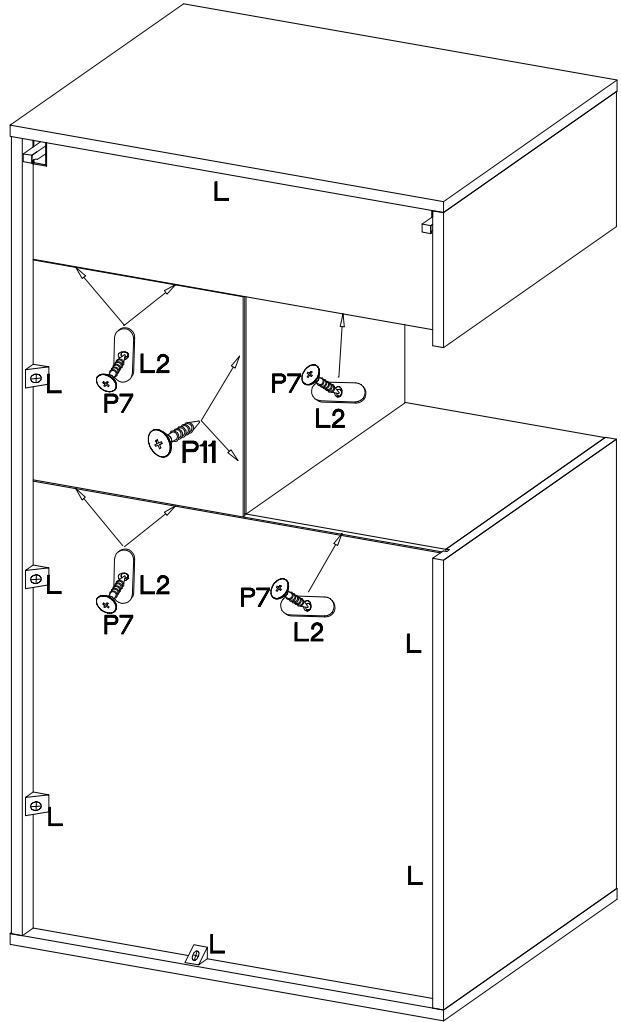
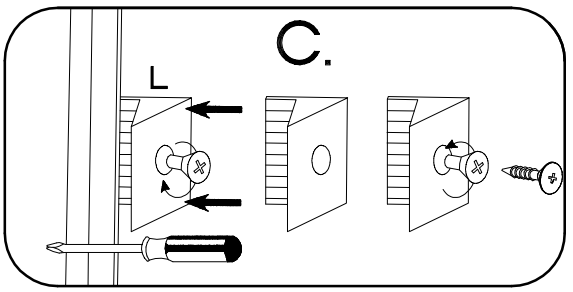
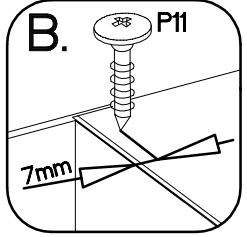
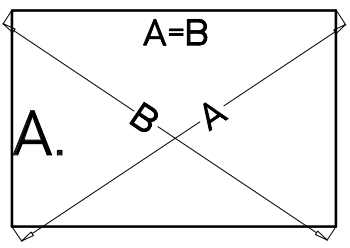
28




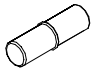
# 29

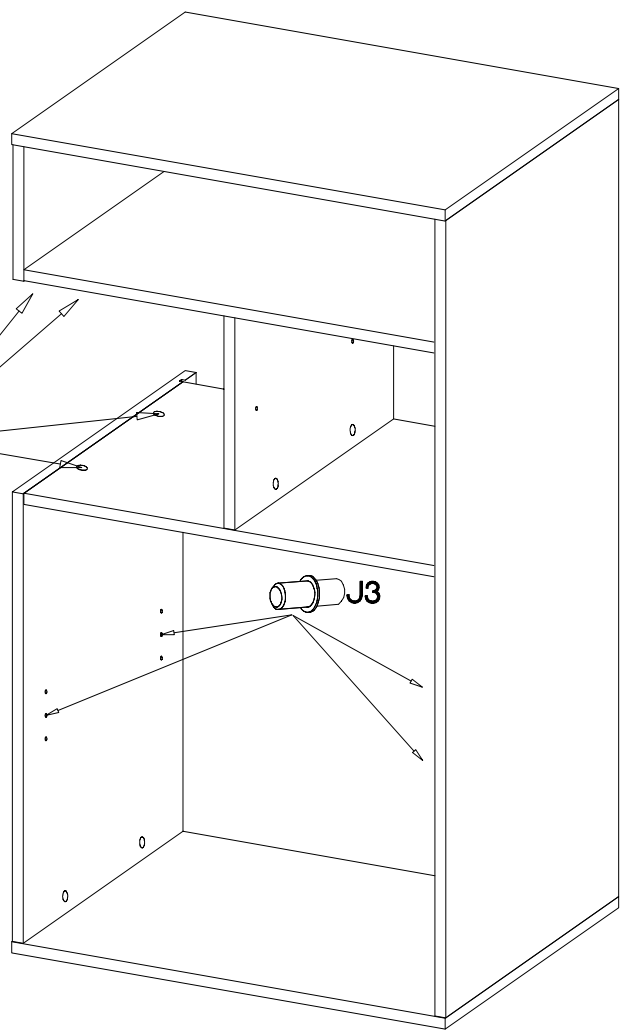
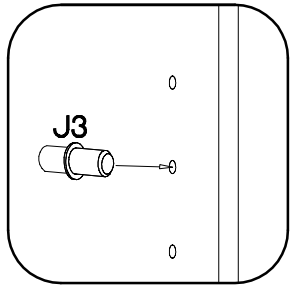
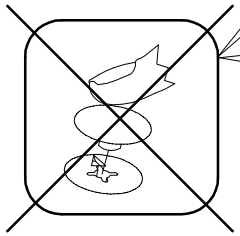
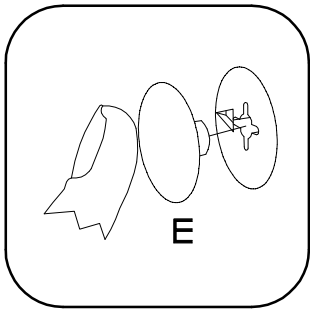
		
L2	L	P7
6	7	8

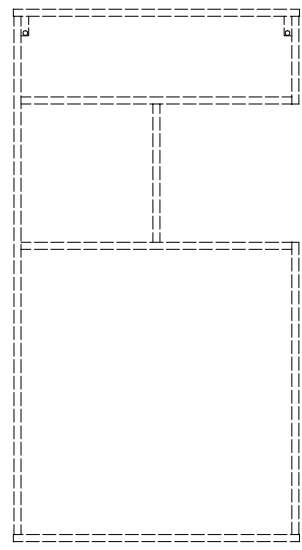
+3.0x20mm

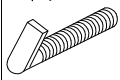



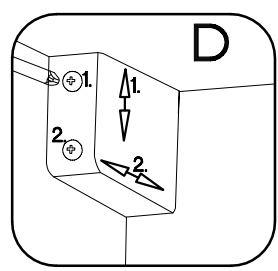
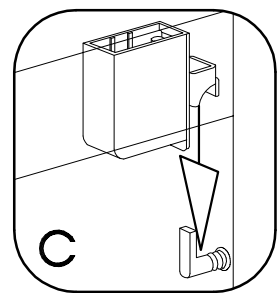
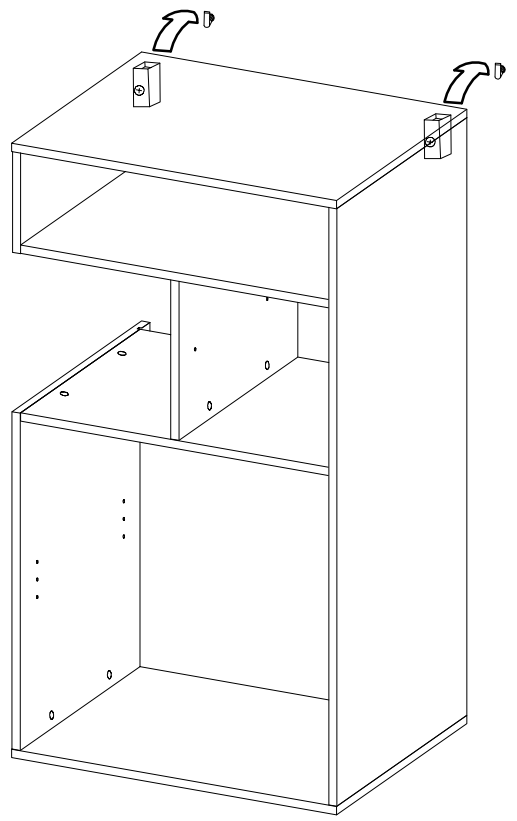
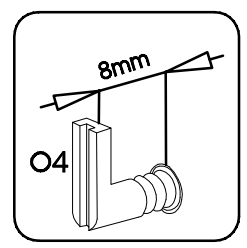
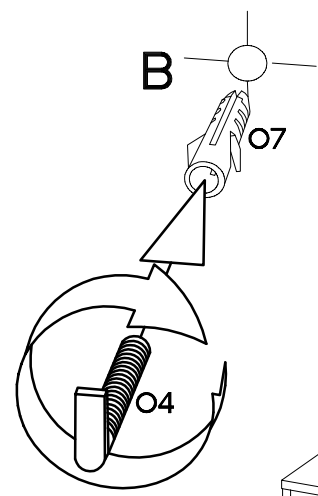
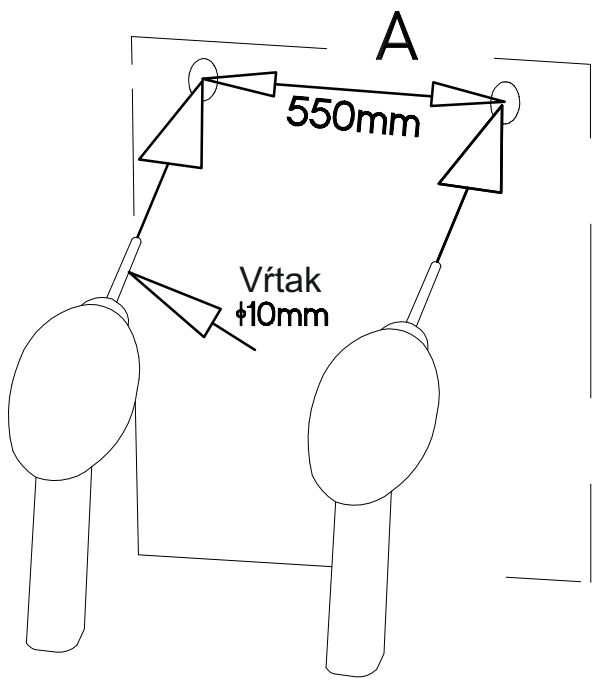
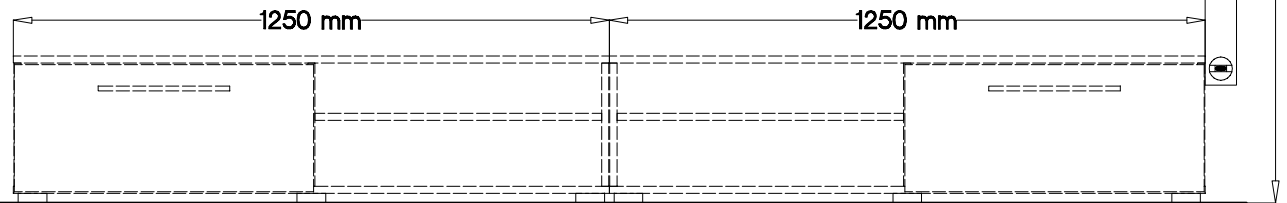
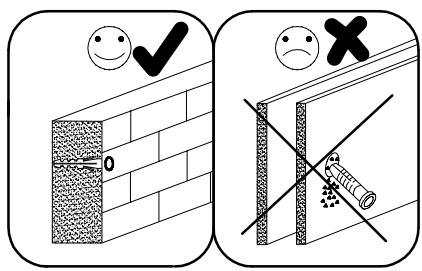
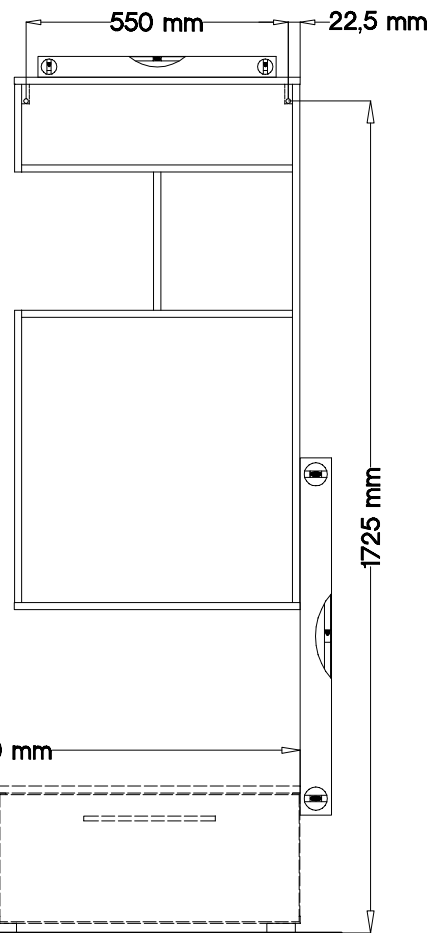
# 30

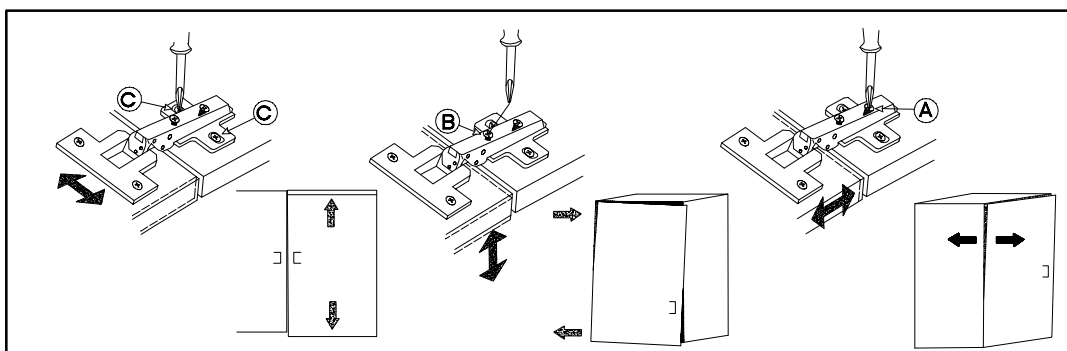
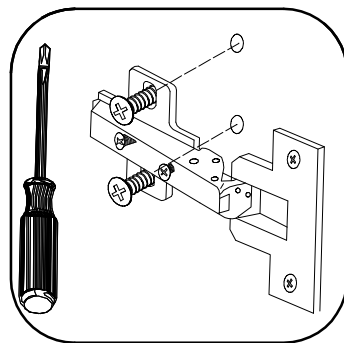
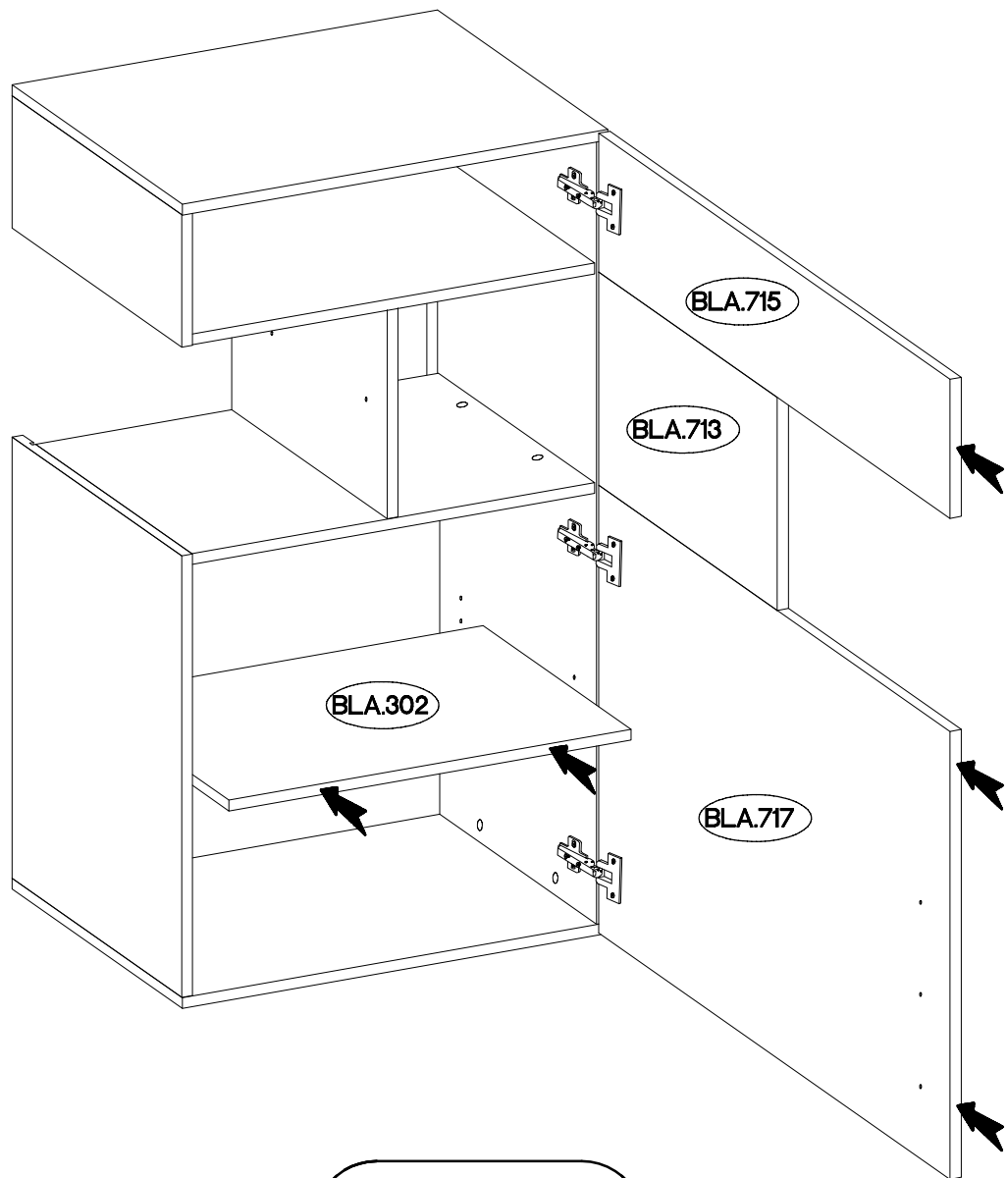
	
E	J3
16	4





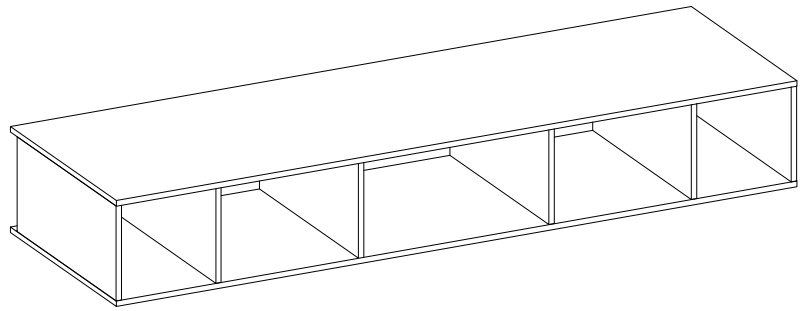
6,5/68mm  O4 2	†10x50mm  O7 2
---	---




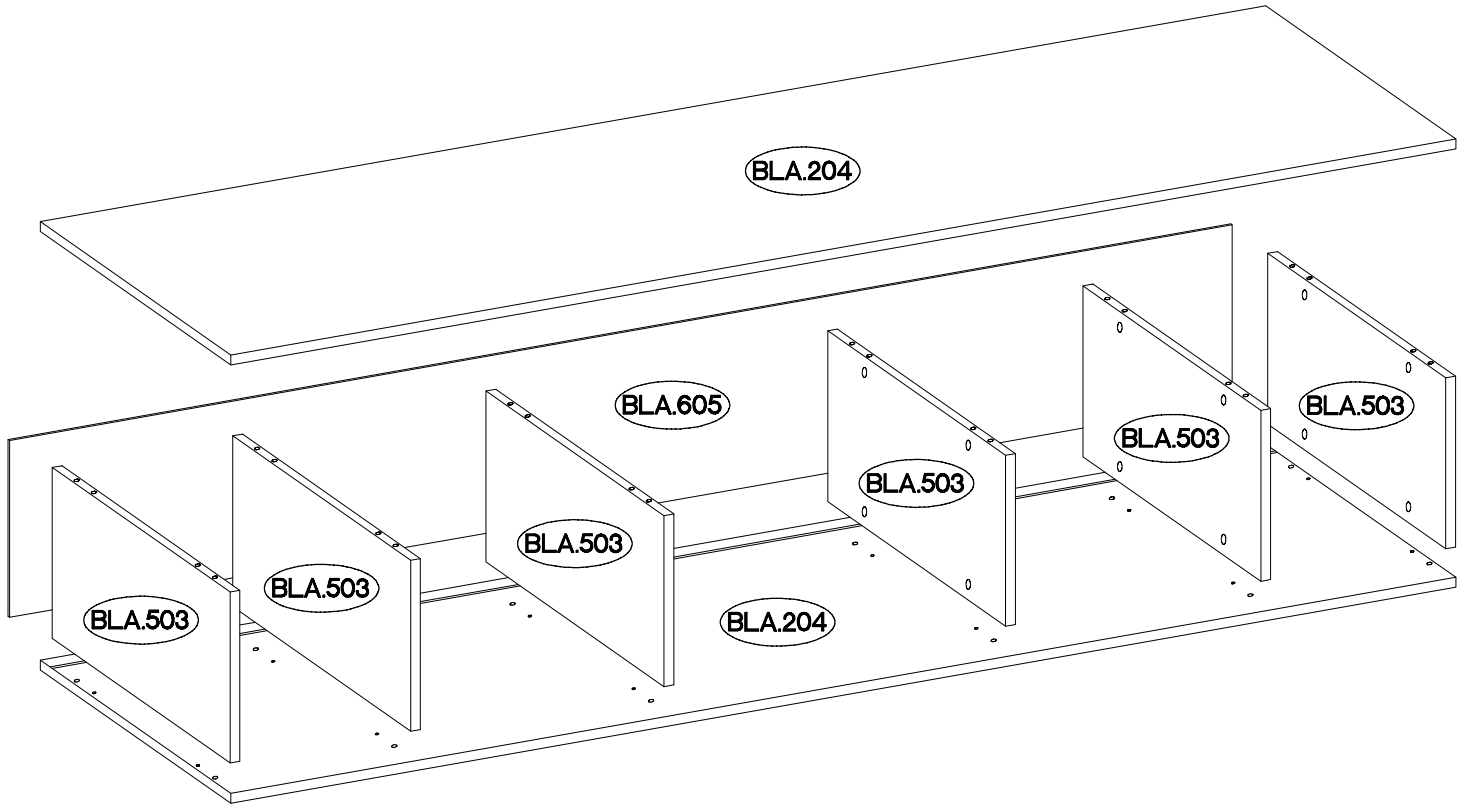


# BETIM




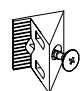



## Typ 481






BLA.204 =  max. 2kg

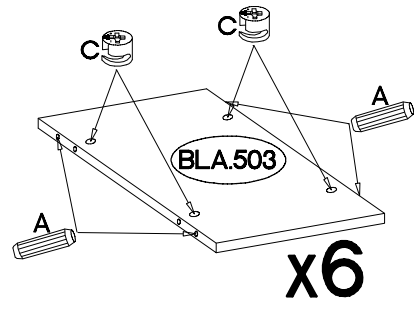
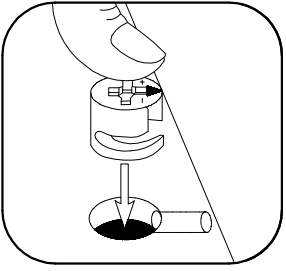
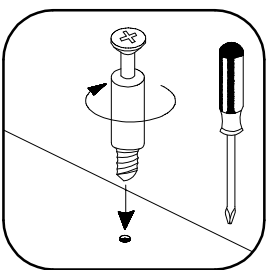
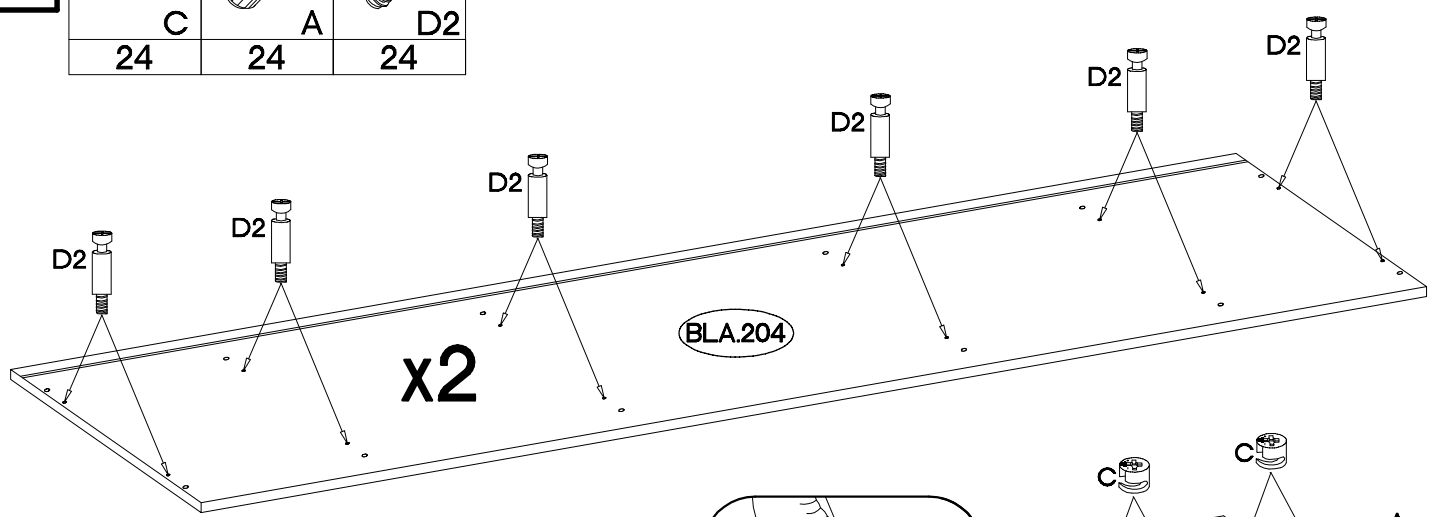


 4B :

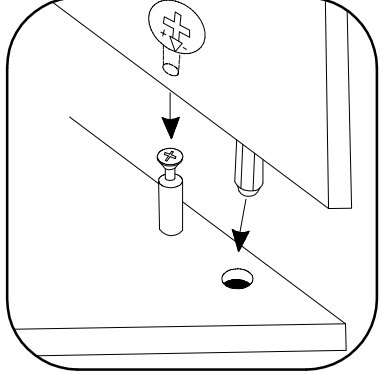
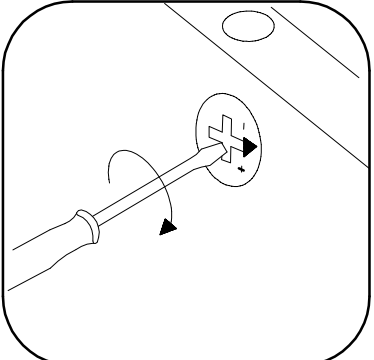
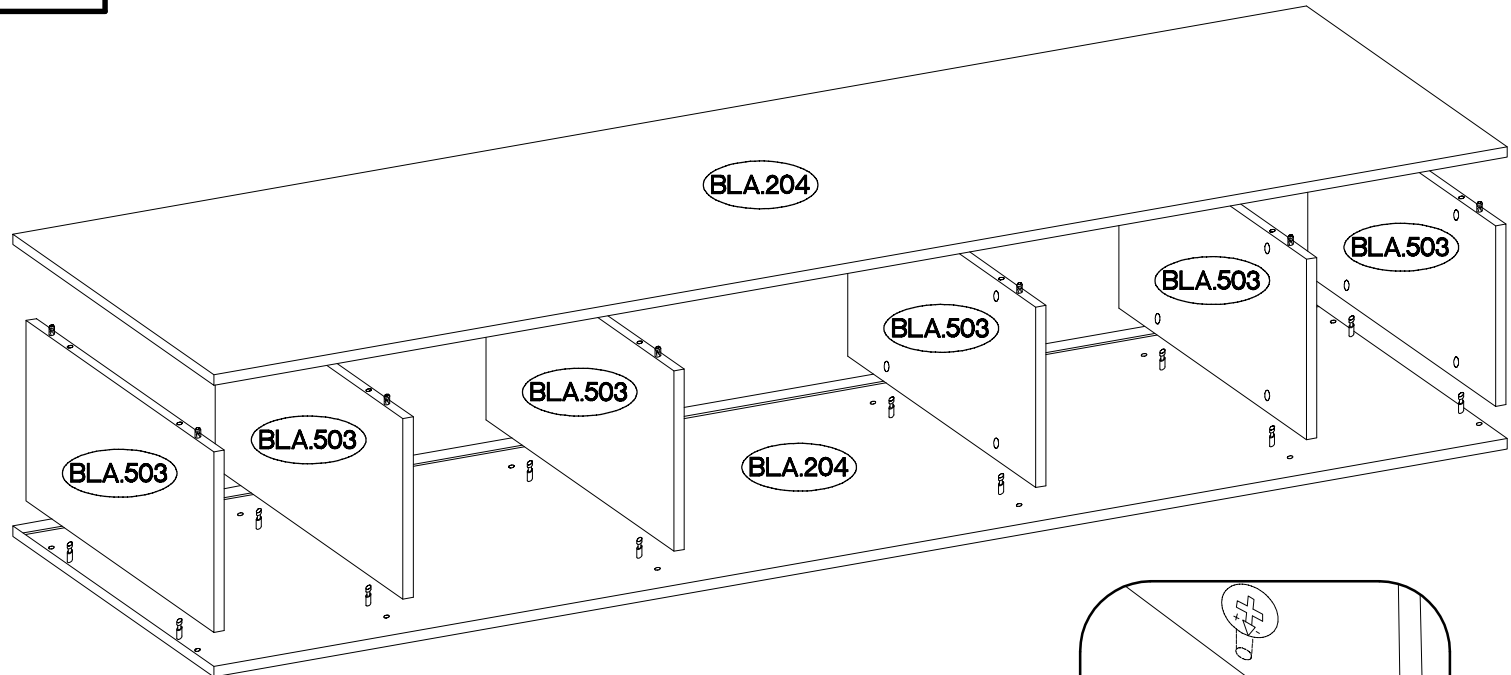
						
∅15/12mm	∅8x30mm	L=20mm		∅4.0x25mm		∅3.0x20mm
C	A	D2	L	R	E	P7
24	24	24	6	4	24	4

34

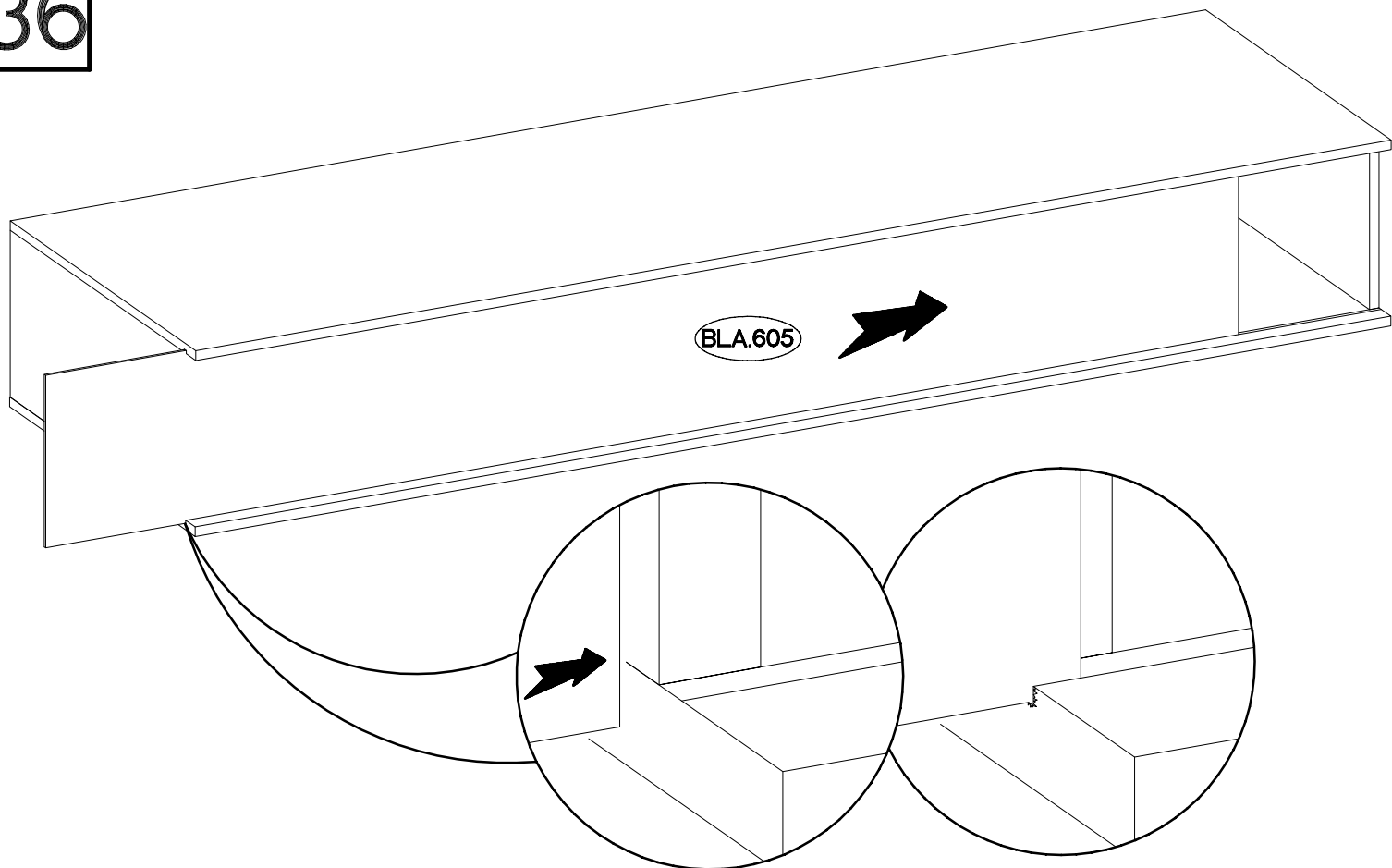
 #15/12mm C 24	 +8x30mm A 24	 L=20mm D2 24
---	--	--



35

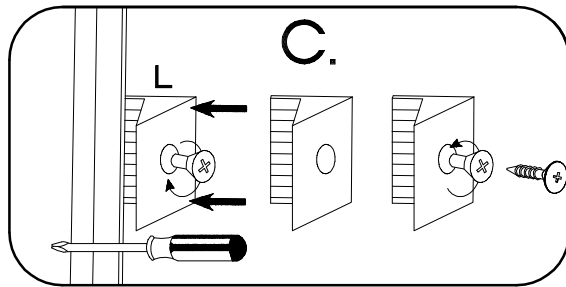
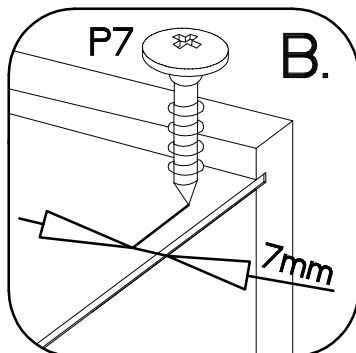
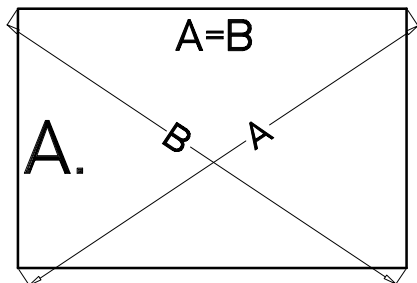
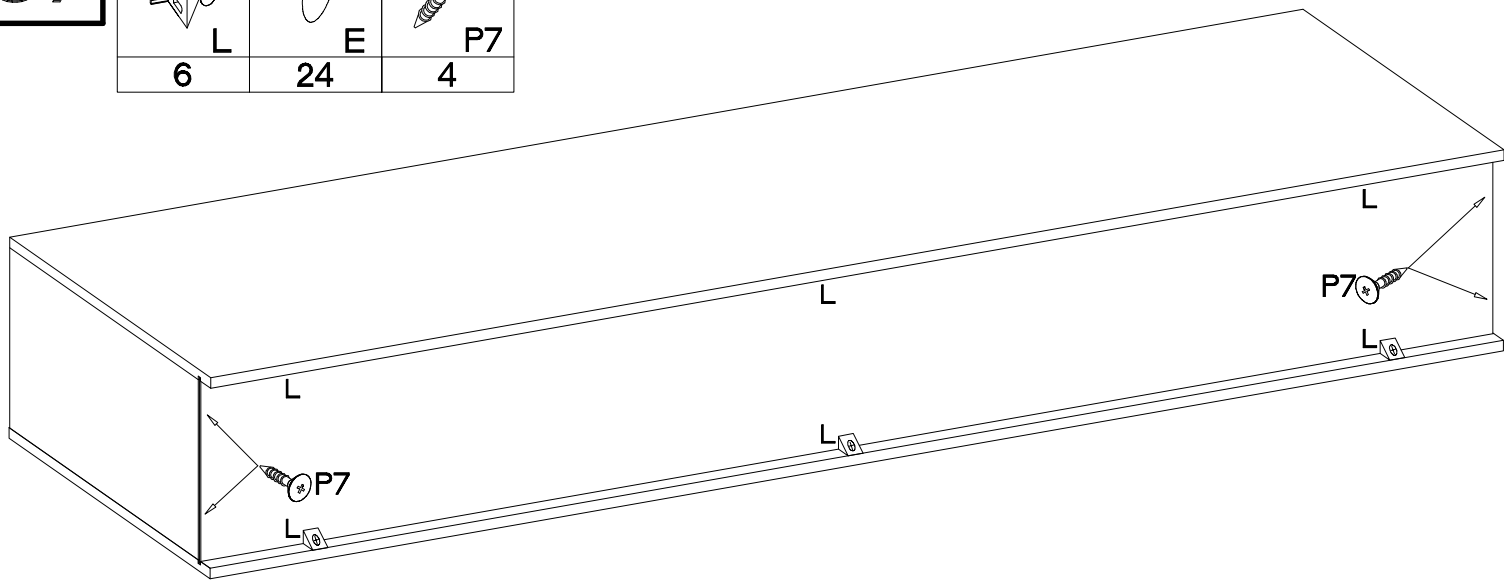


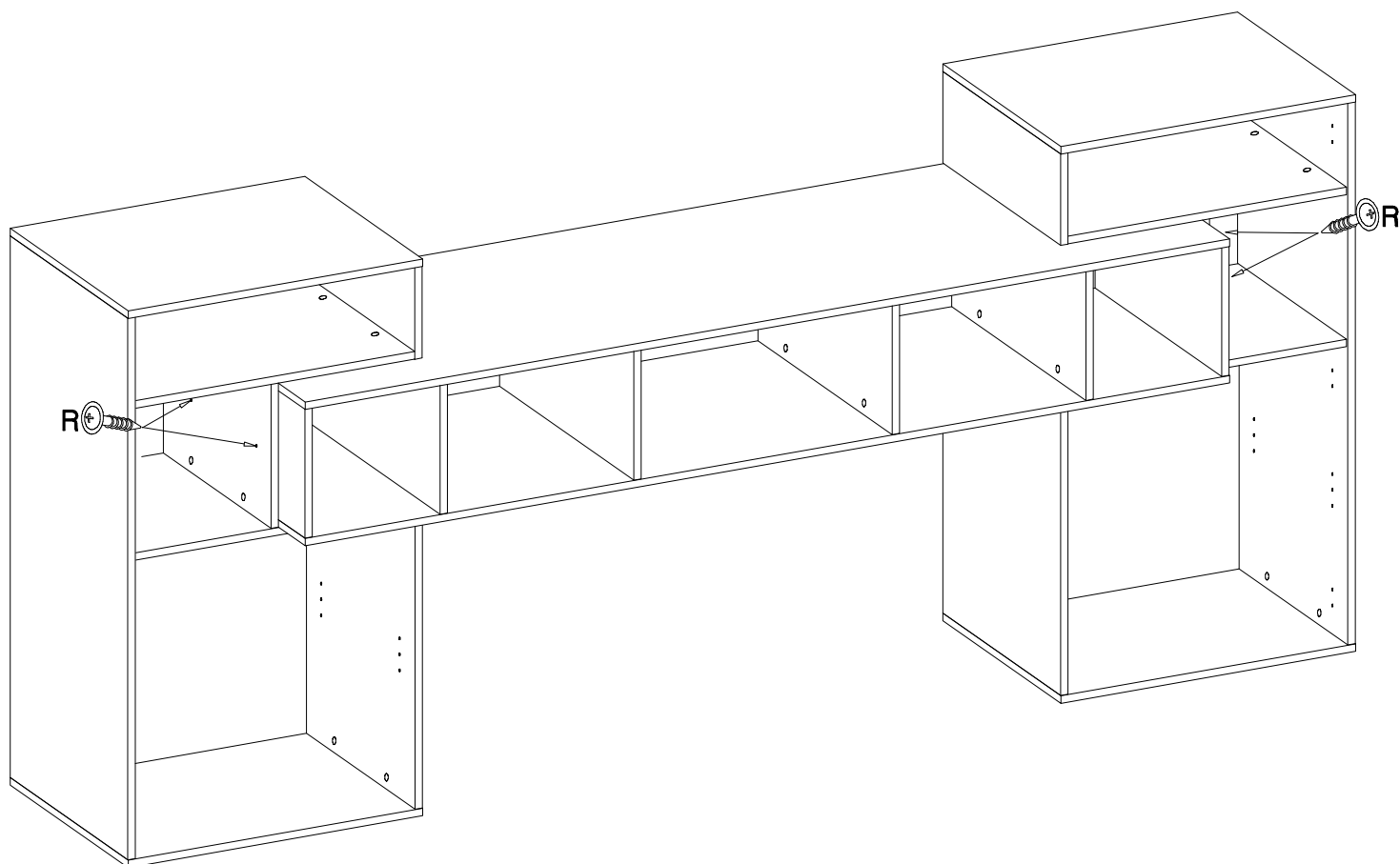
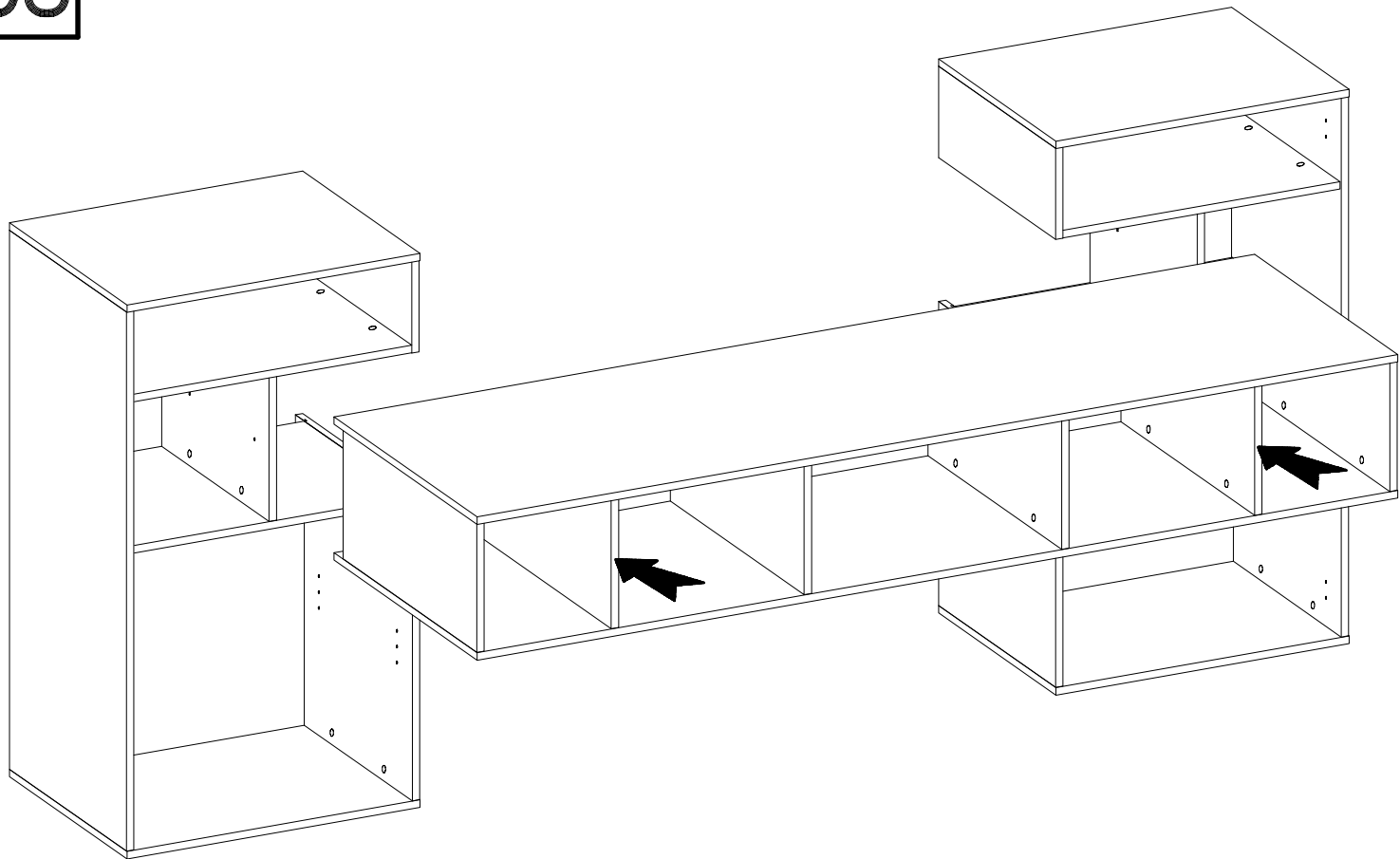
36



37

		$\pm 3.0 \times 20 \text{mm}$ 
L	E	P7
6	24	4





+4.0x25mm



R

4