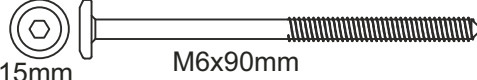

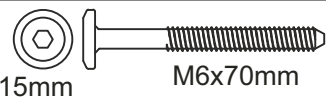
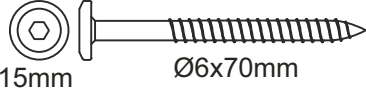
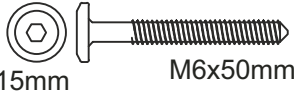
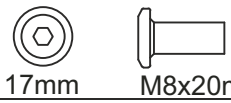


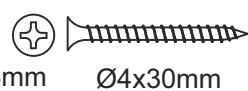
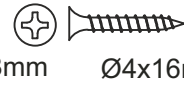
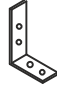
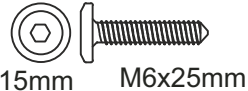




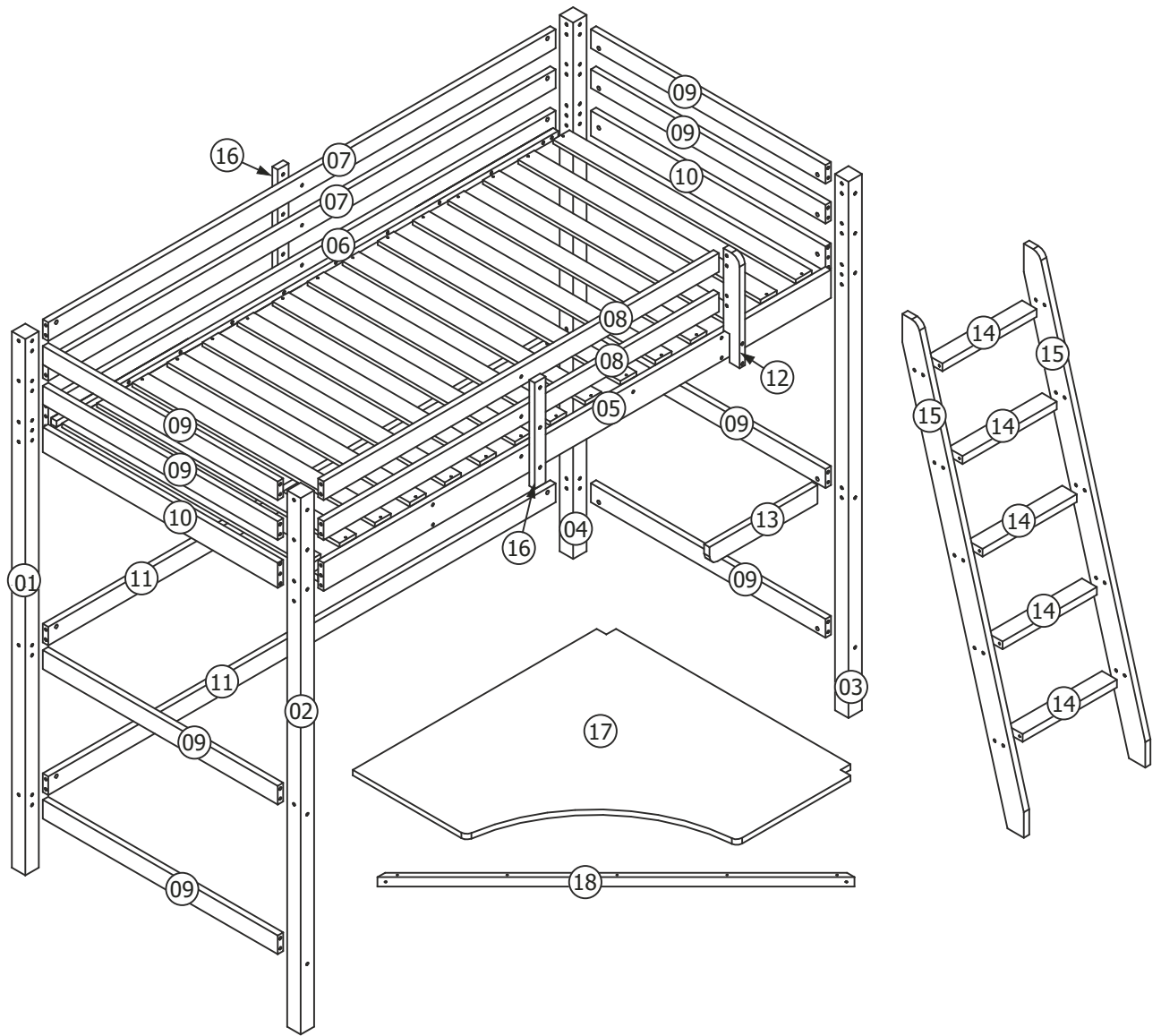
AMARA, 90x200

B1286

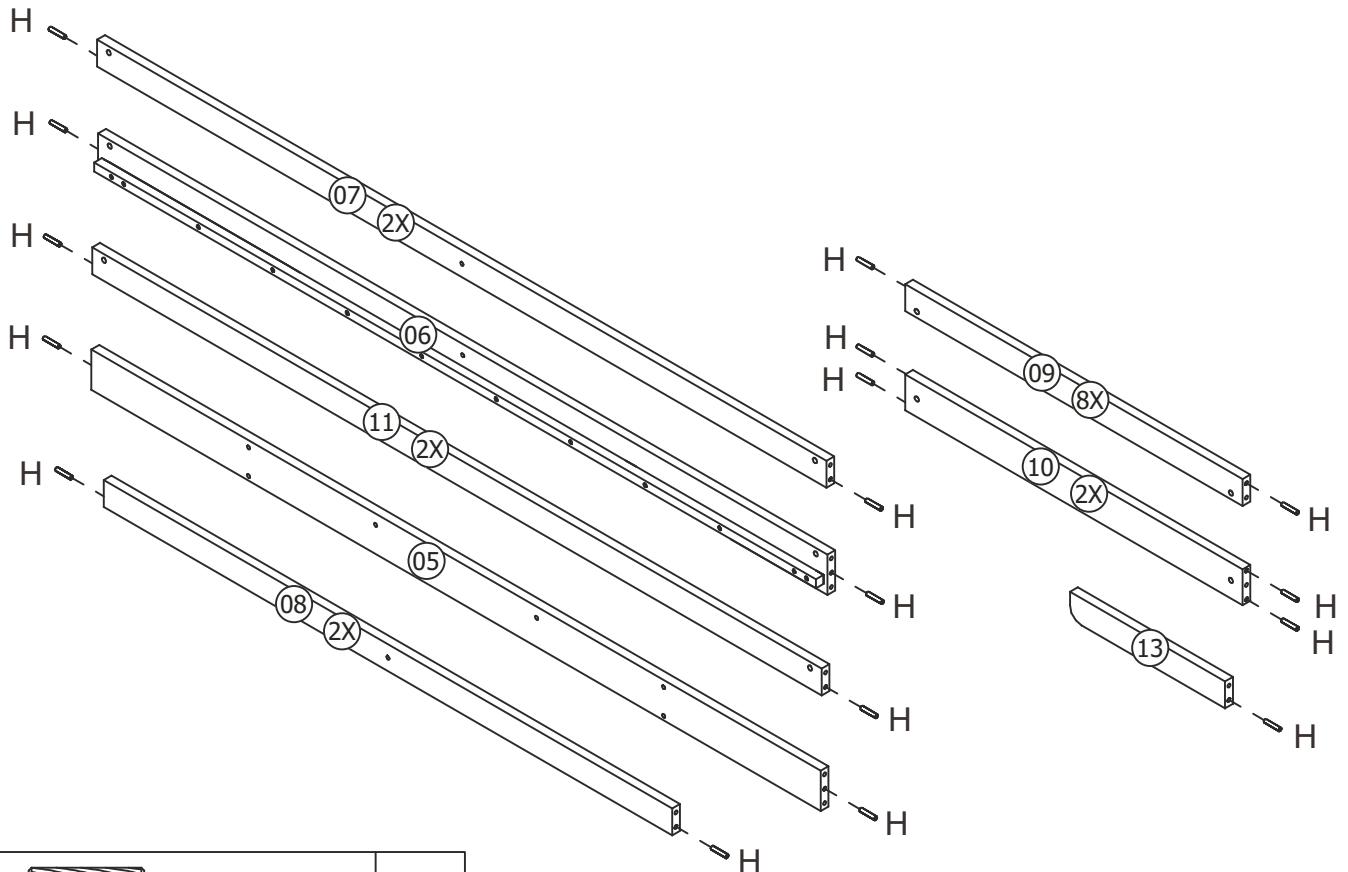


A	 15mm M6x90mm	39
B		41
C	 15mm M6x70mm	02
D	 15mm Ø6x70mm	20
E	 15mm M6x50mm	02
F	 17mm M8x20mm	08
G		02

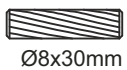
H	 Ø8x30mm	41
I	 8mm Ø4x30mm	47
J	 8mm Ø4x16mm	18
K	 30x30x16mm	04
L	 15mm M6x25mm	06
M		02
N	 Ø8mm	14



01

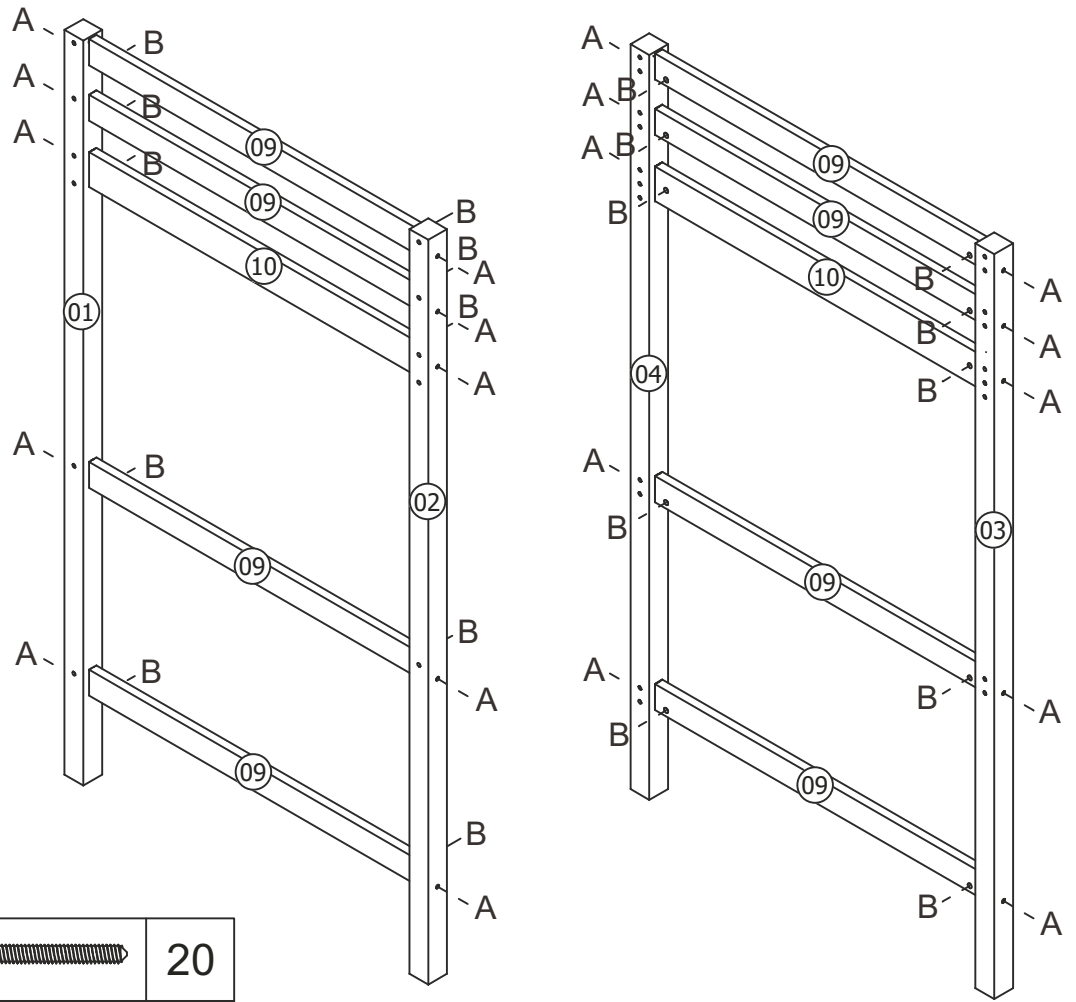




H



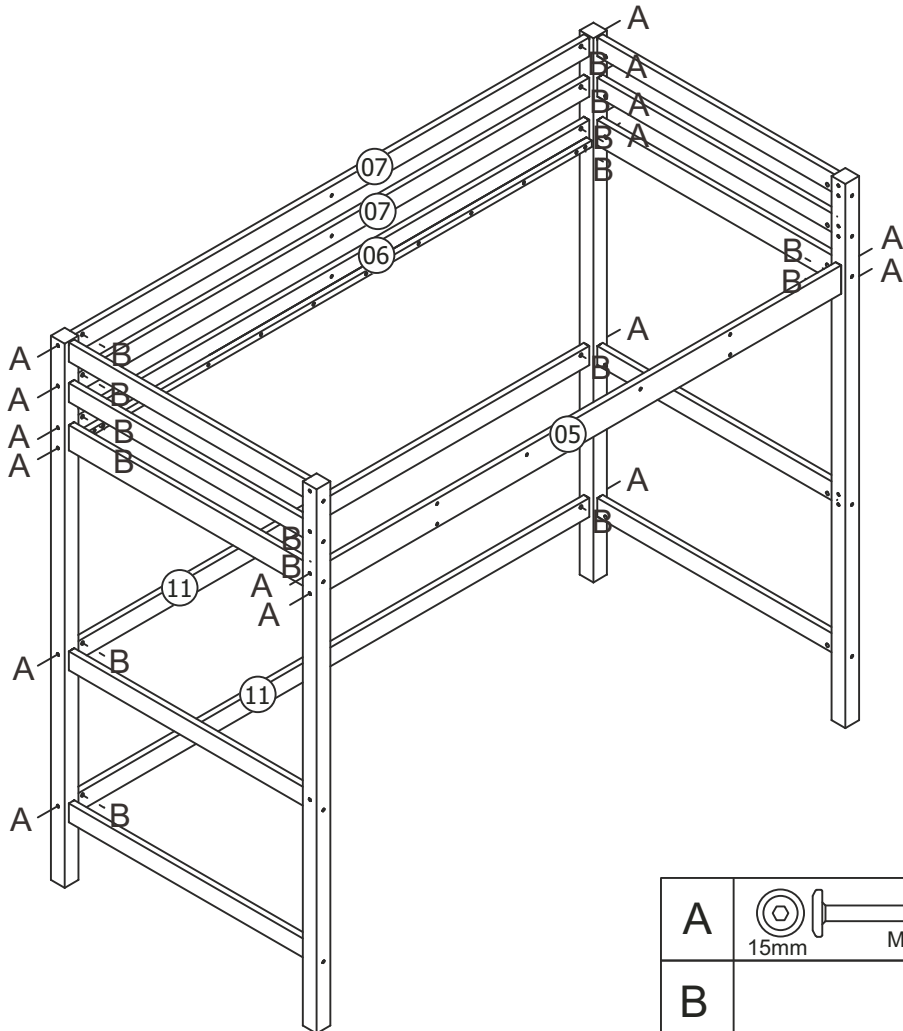
41



02



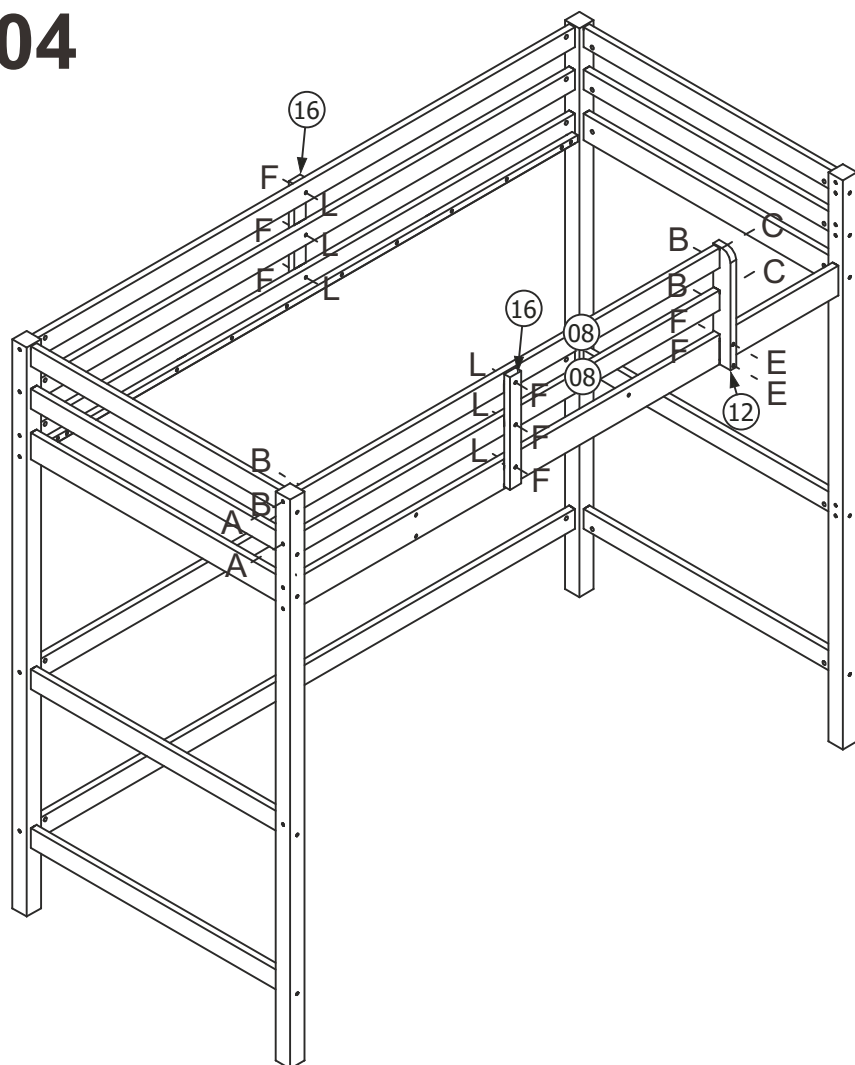
A	 15mm M6x90mm	20
B		20

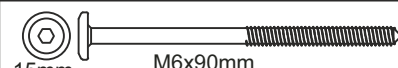

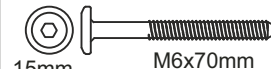
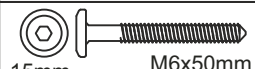
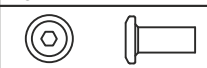
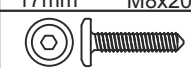
03



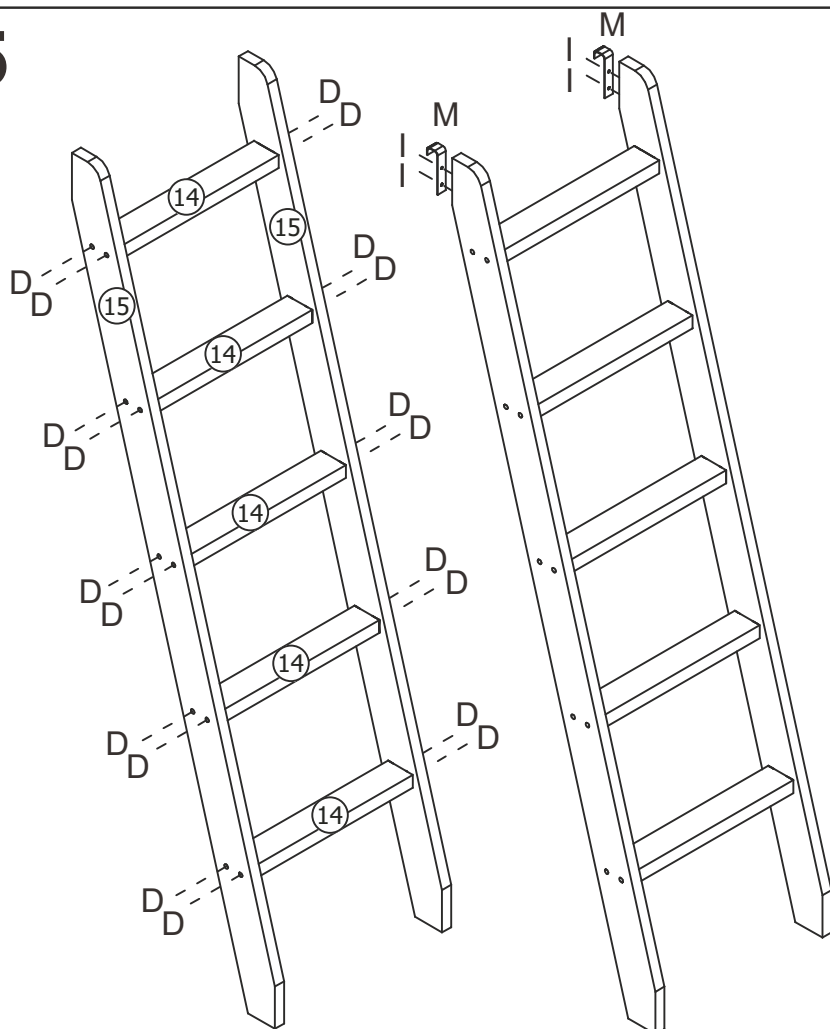
A	 15mm M6x90mm	16
B		16

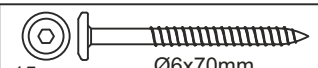
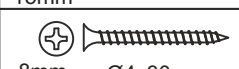

04



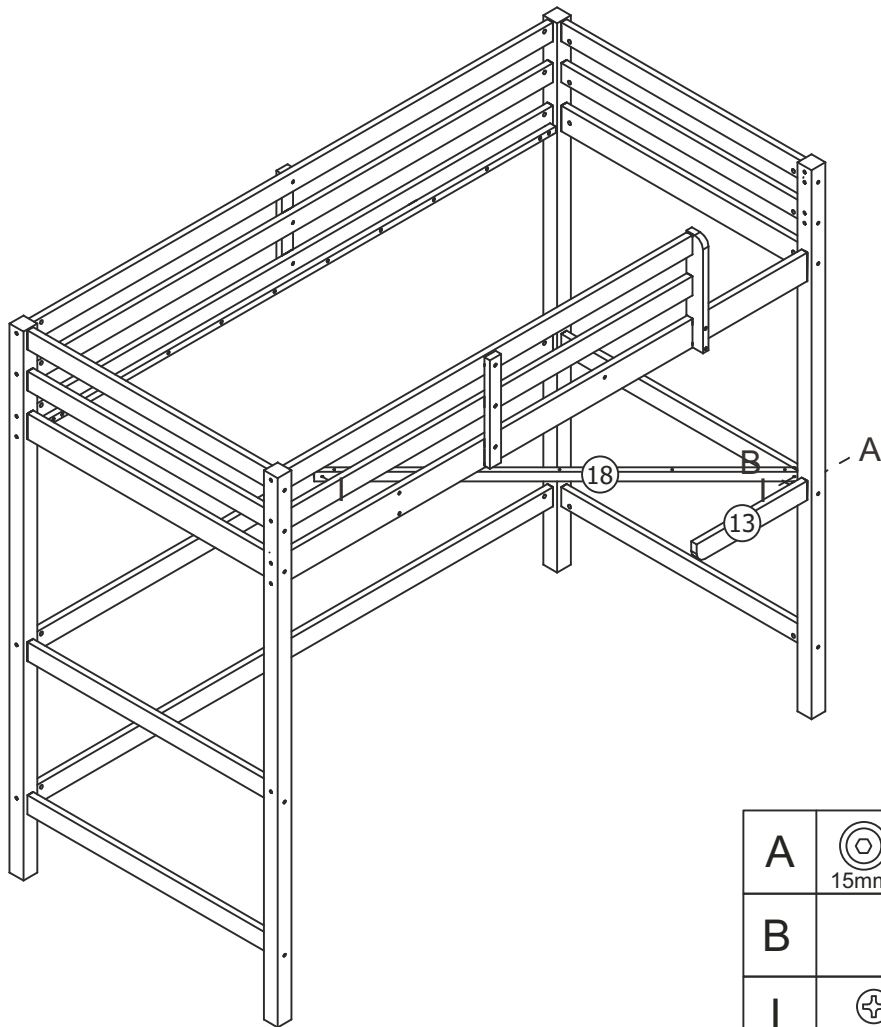
A		02
B		04
C		02
E		02
F		08
L		06




05



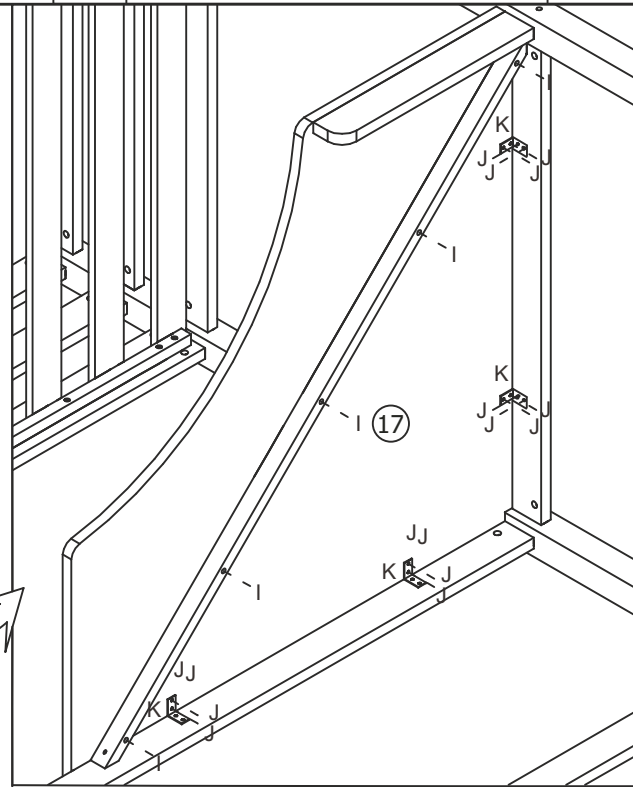
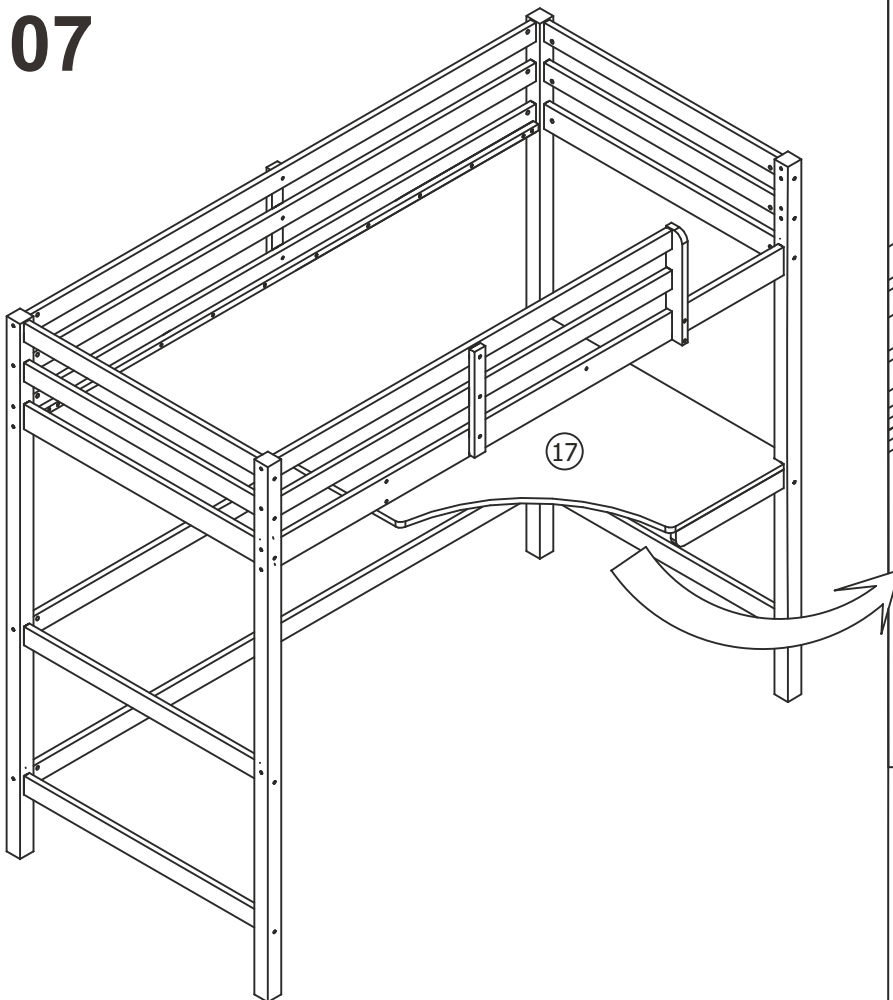
D		20
I		04
M		02




06



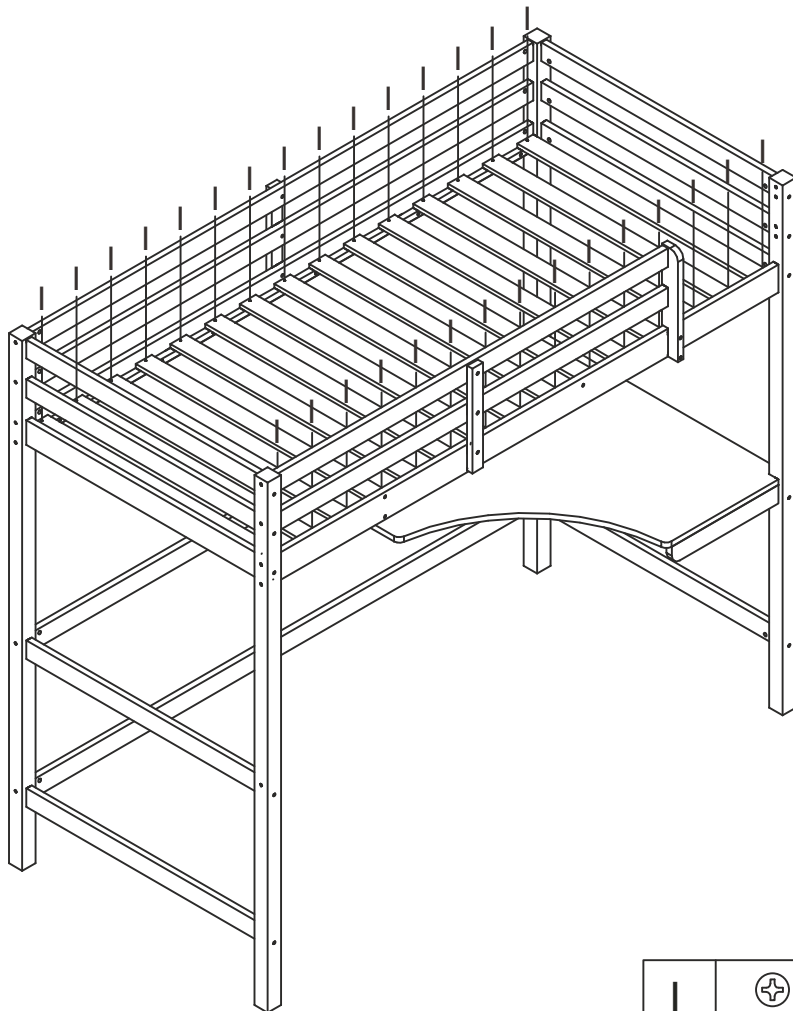
A	 15mm M6x90mm	01
B		01
I	 8mm Ø4x30mm	02


07



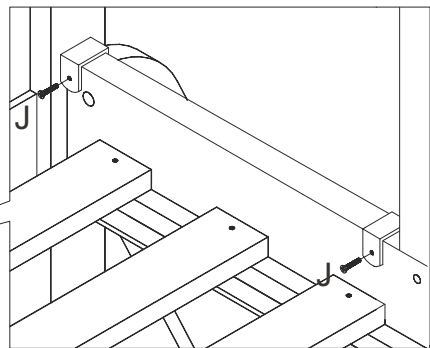
I	 8mm Ø4x30mm	05
J	 8mm Ø4x16mm	16
K	 30x30x16mm	04

08



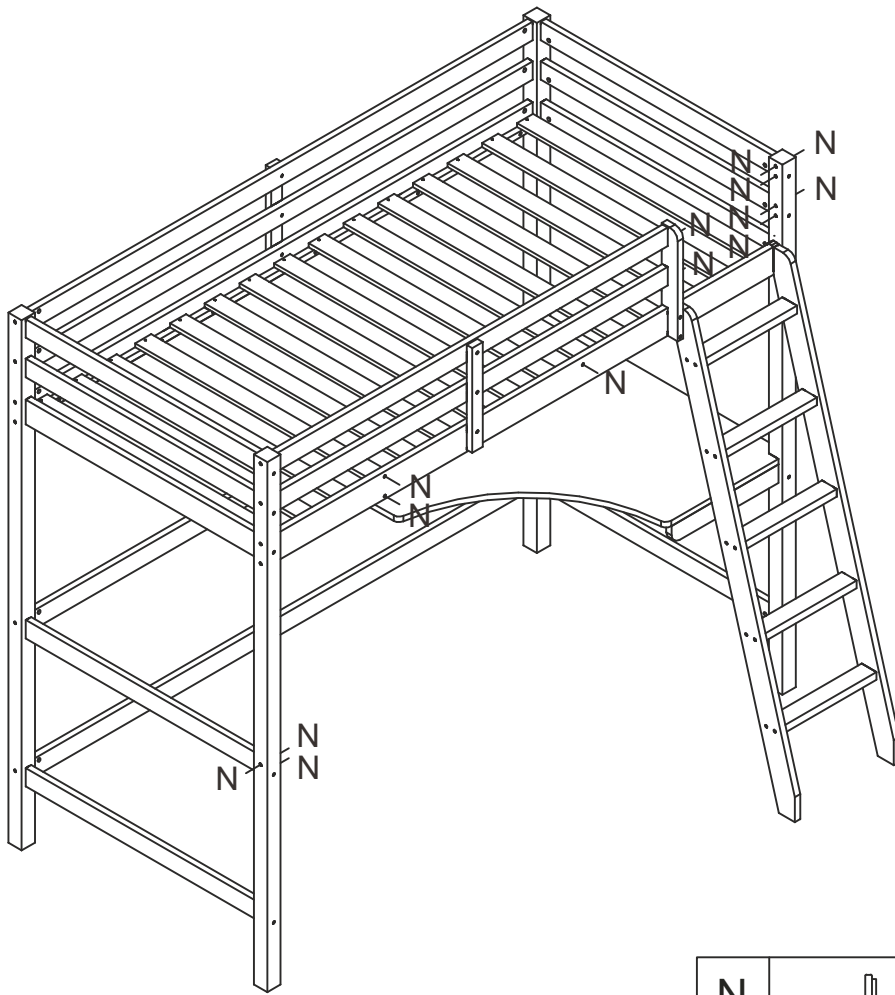
I	 8mm Ø4x30mm	36
---	---------------------------------------------------------------------------------------------------	----

09



J	 8mm Ø4x16mm	02
---	---------------------------------------------------------------------------------------------------	----

10



N			Ø8mm	14
---	---------------------------------------------------------------------------------------	---------------------------------------------------------------------------------------	------	----

