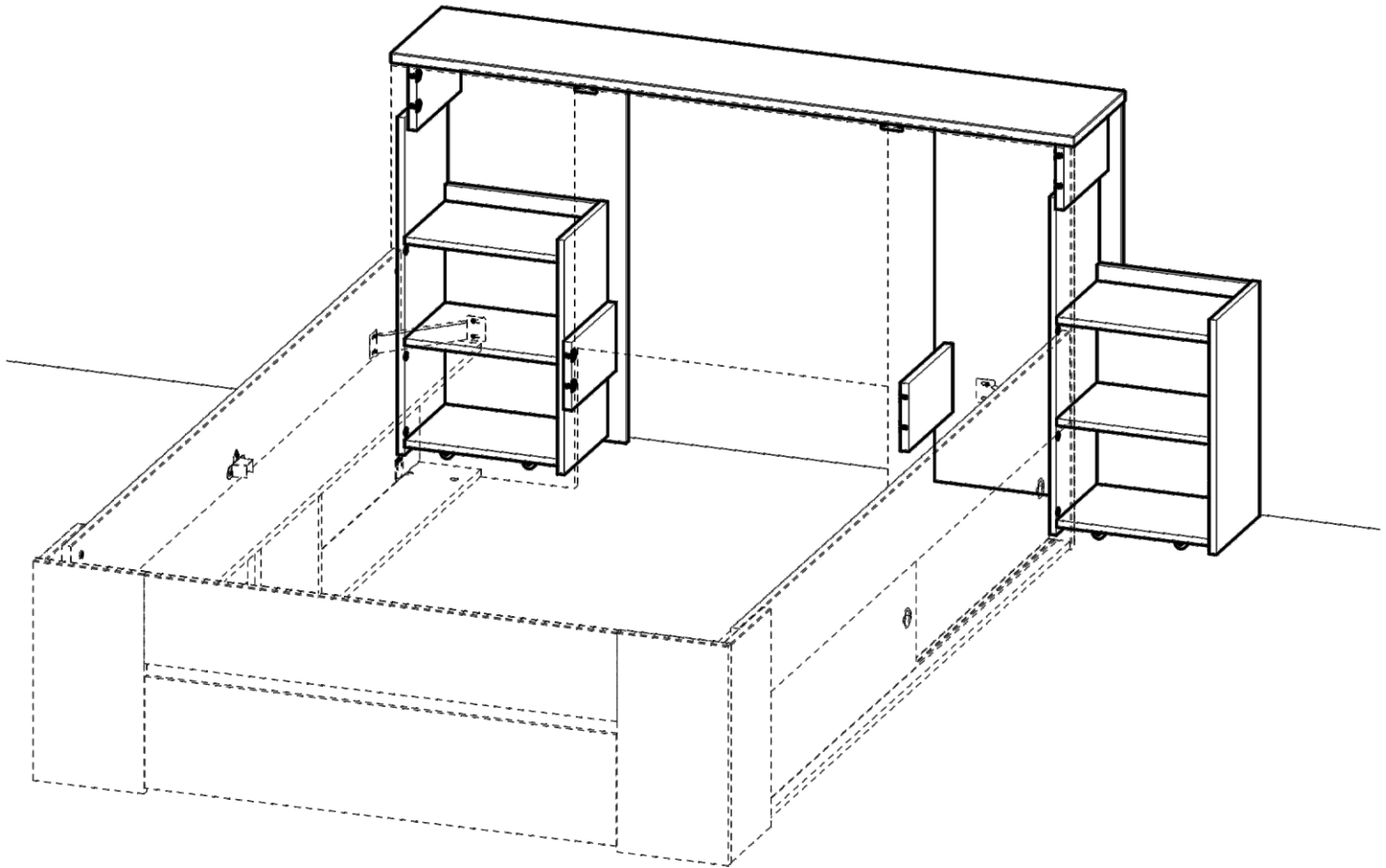
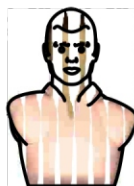


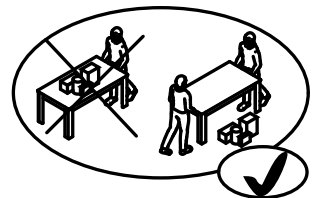
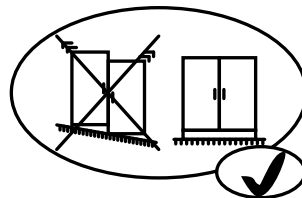
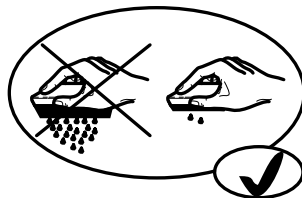
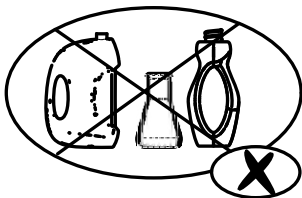
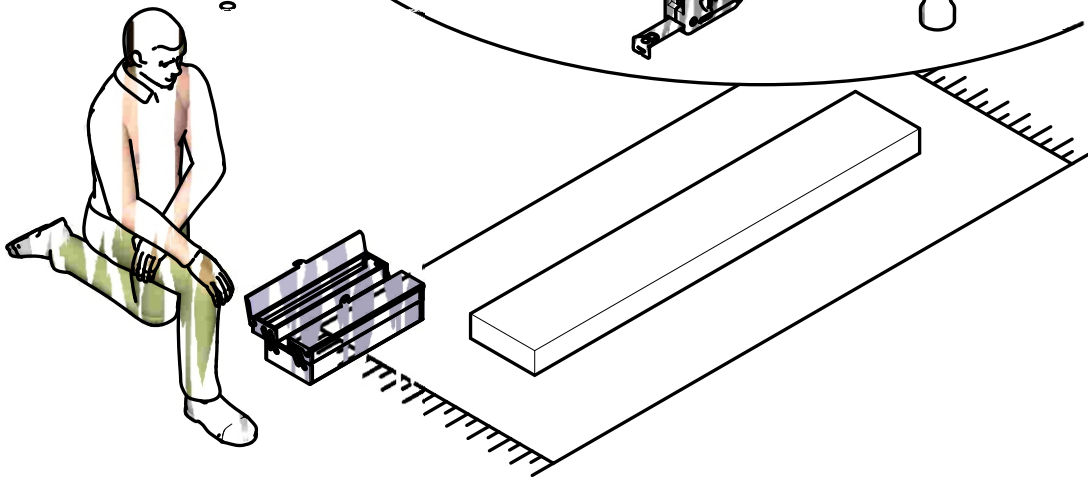
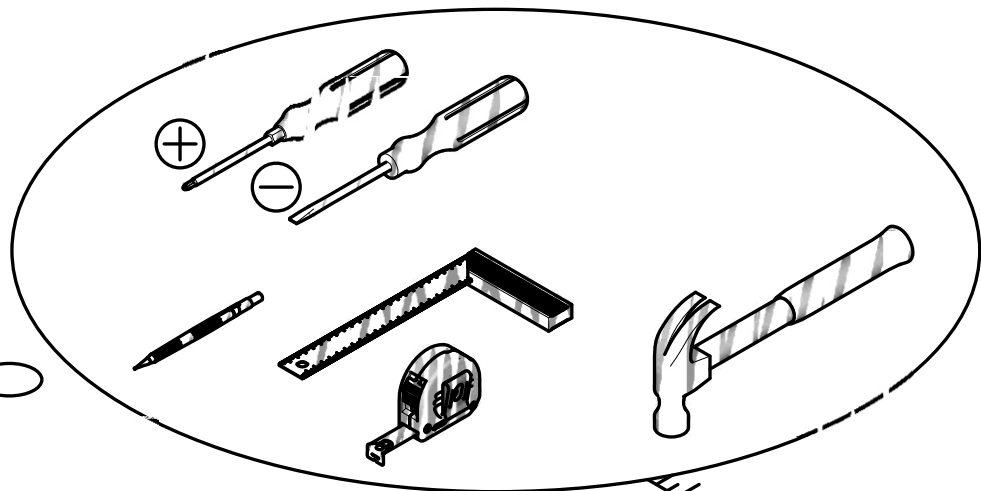
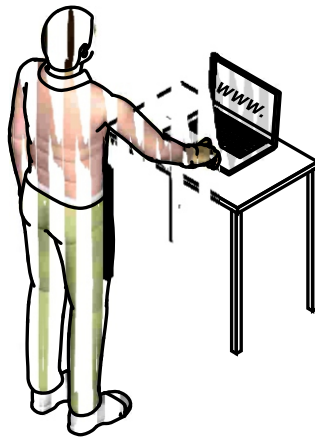
# SIRIUS



2h00.

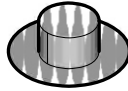



x2

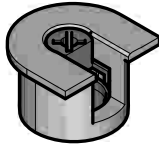





**A** x28 

**I** x12  Ø8mm  
Ø5/16"

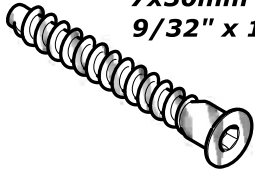
**B** x28  Ø15mm  
Ø19/32"


**J** x8 

**C** x8 

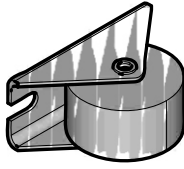
**K** x8  6,3x13mm  
1/4" x 1/2"

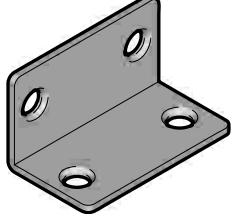
**D** x1 

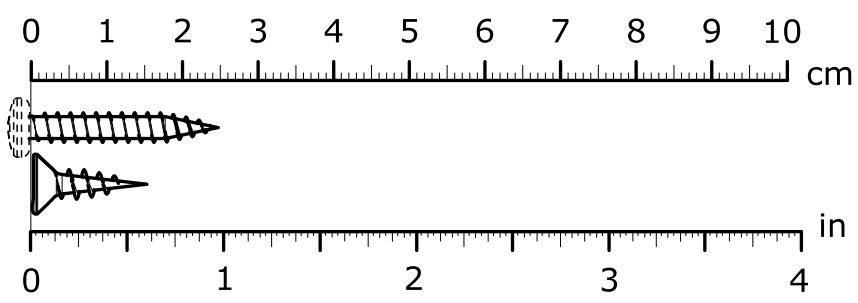
**L** x8  7x50mm  
9/32" x 1 31/32"

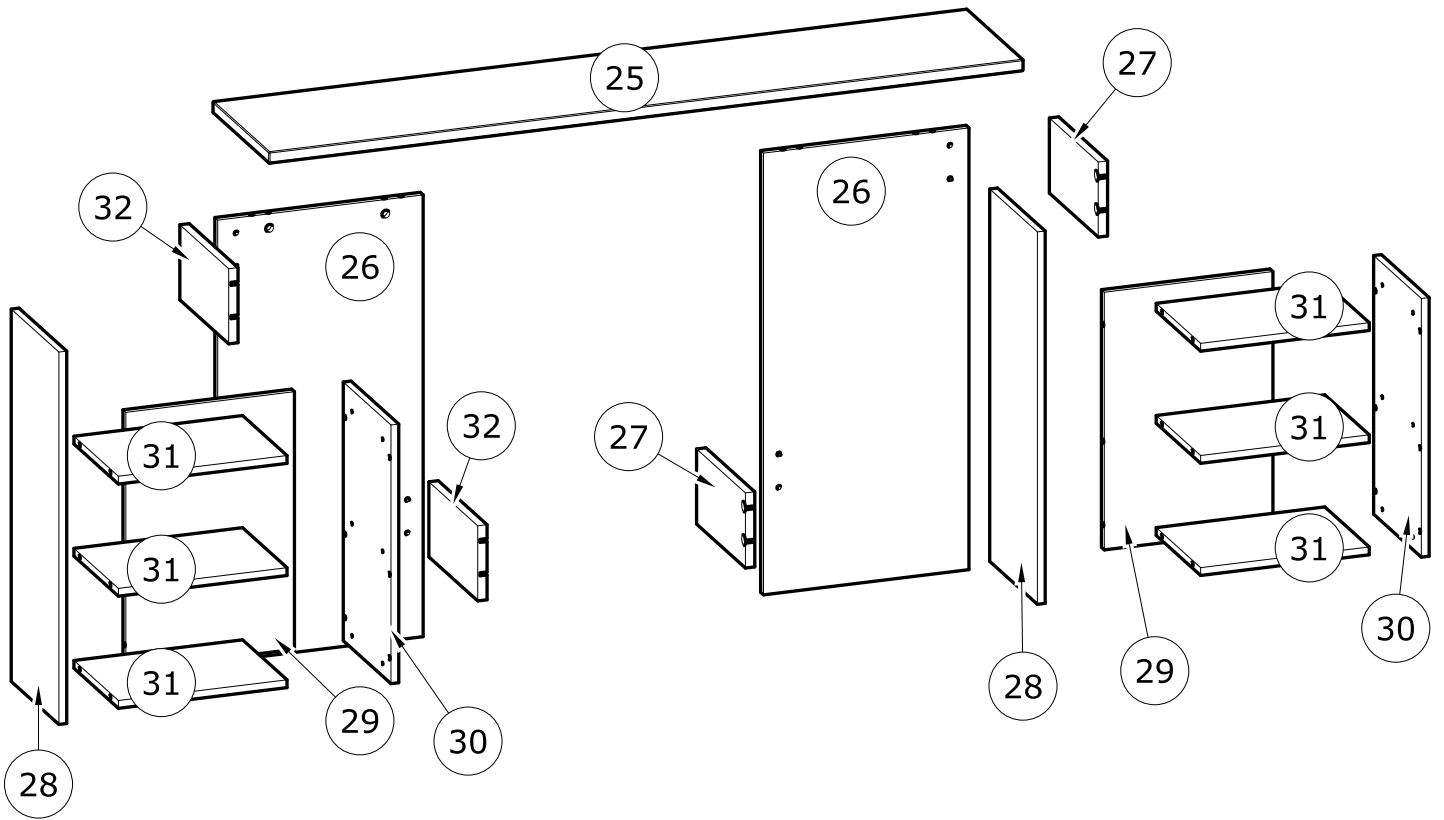
**E** x16  8x30mm  
5/16" x 1 3/16"

**F** x16  4x13mm  
5/32" x 1/2"

**G** x8 

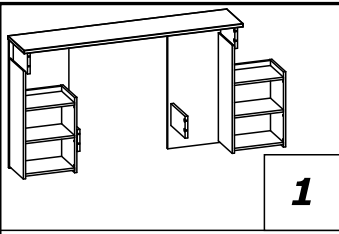
**H** x2 


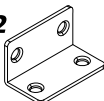



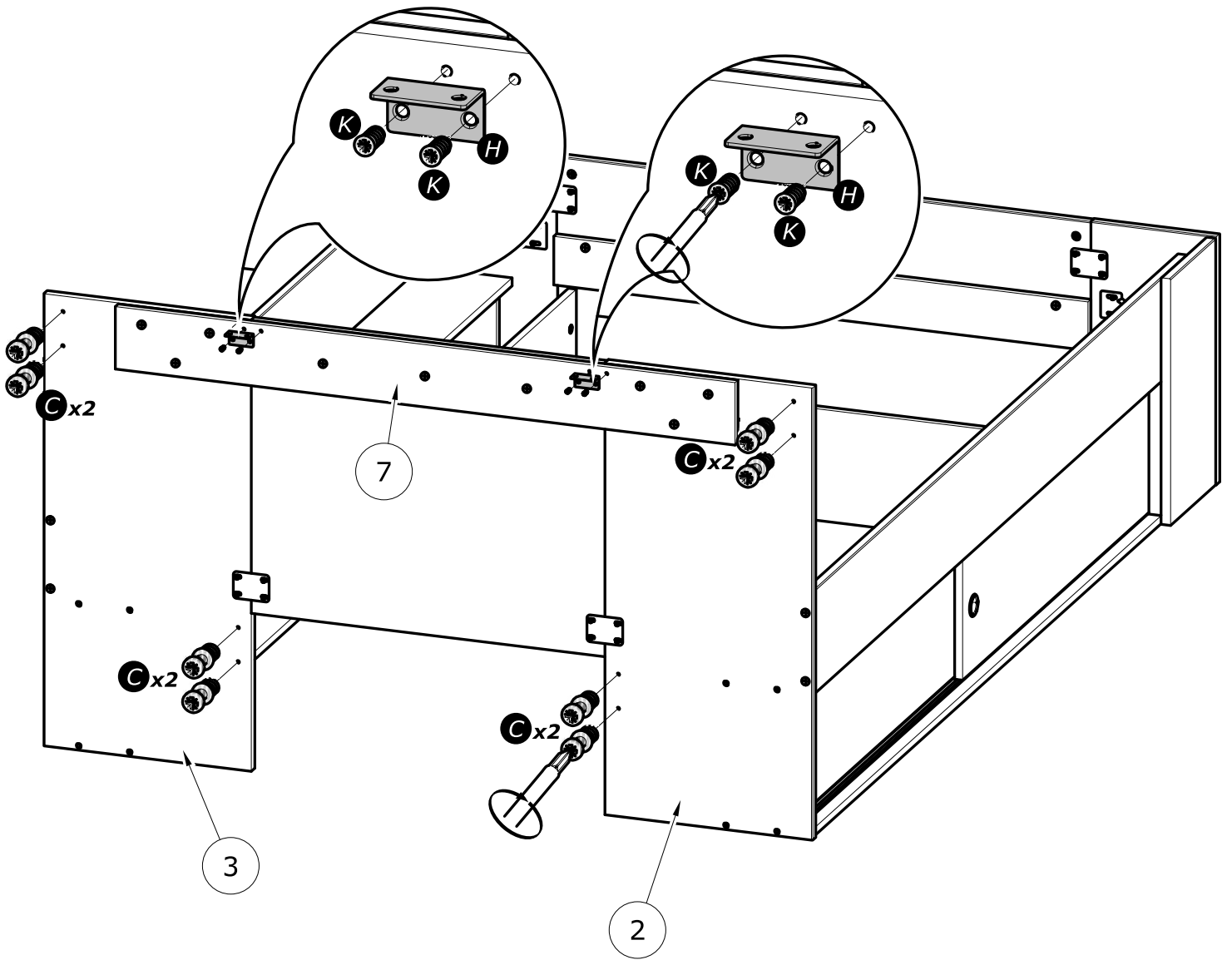


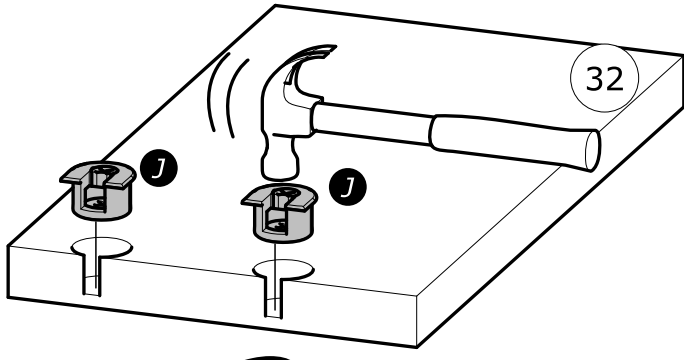
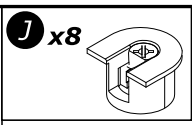
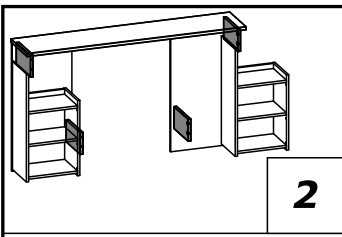
Č.	MM			ks
25	1 454	x	294	1
26	847	x	396	2
27	255	x	144	2
28	714	x	249	2

Č.	MM			ks
29	325	x	494	2
30	496	x	249	2
31	325	x	232	6
32	255	x	144	2

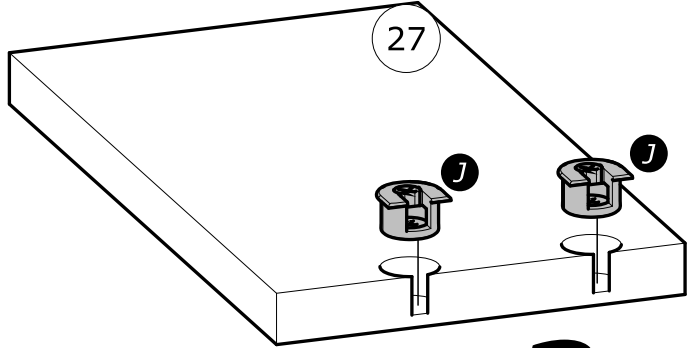


<b>C</b> x8 	<b>H</b> x2 	<b>K</b> x4  6,3x13mm 1/4" x 1/2"
--	---	---

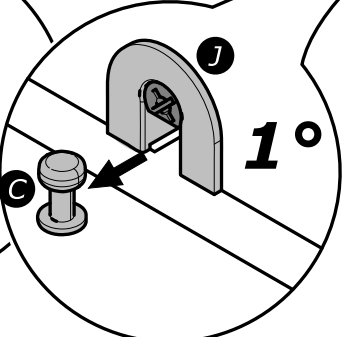
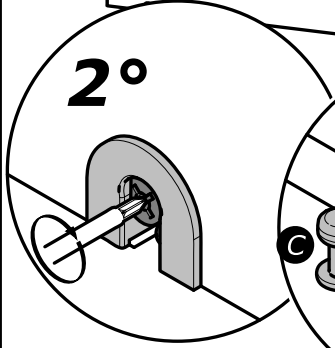
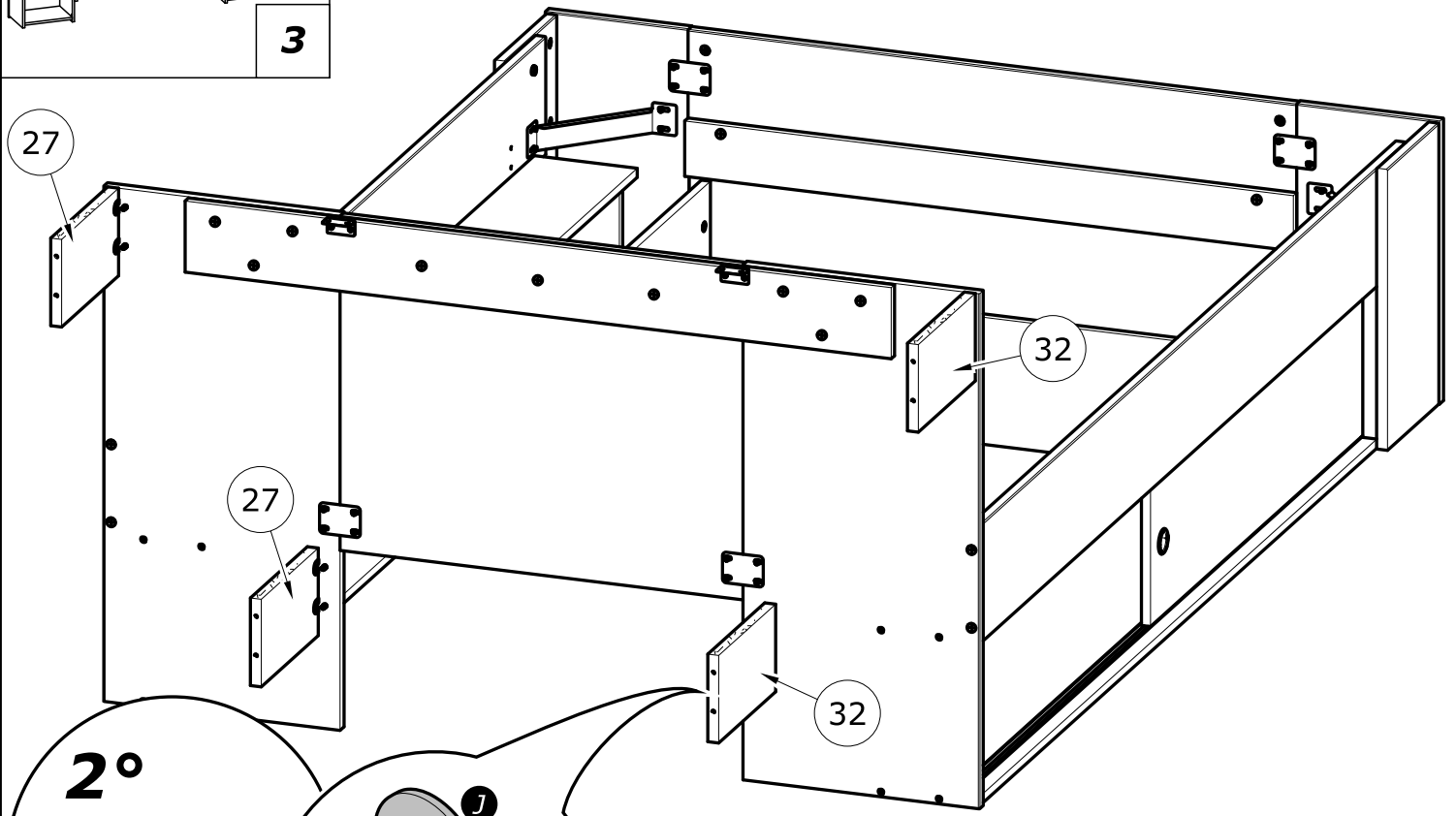
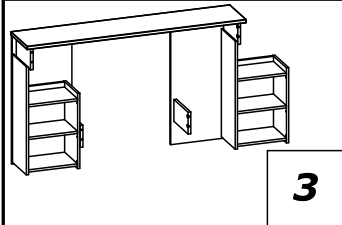


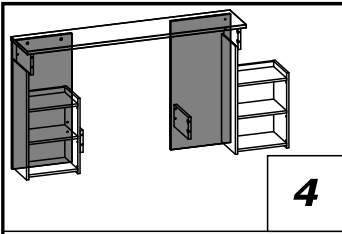


**x2**



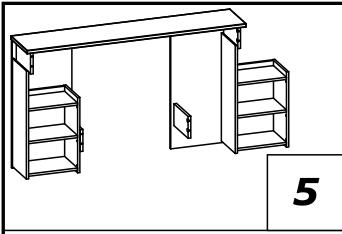
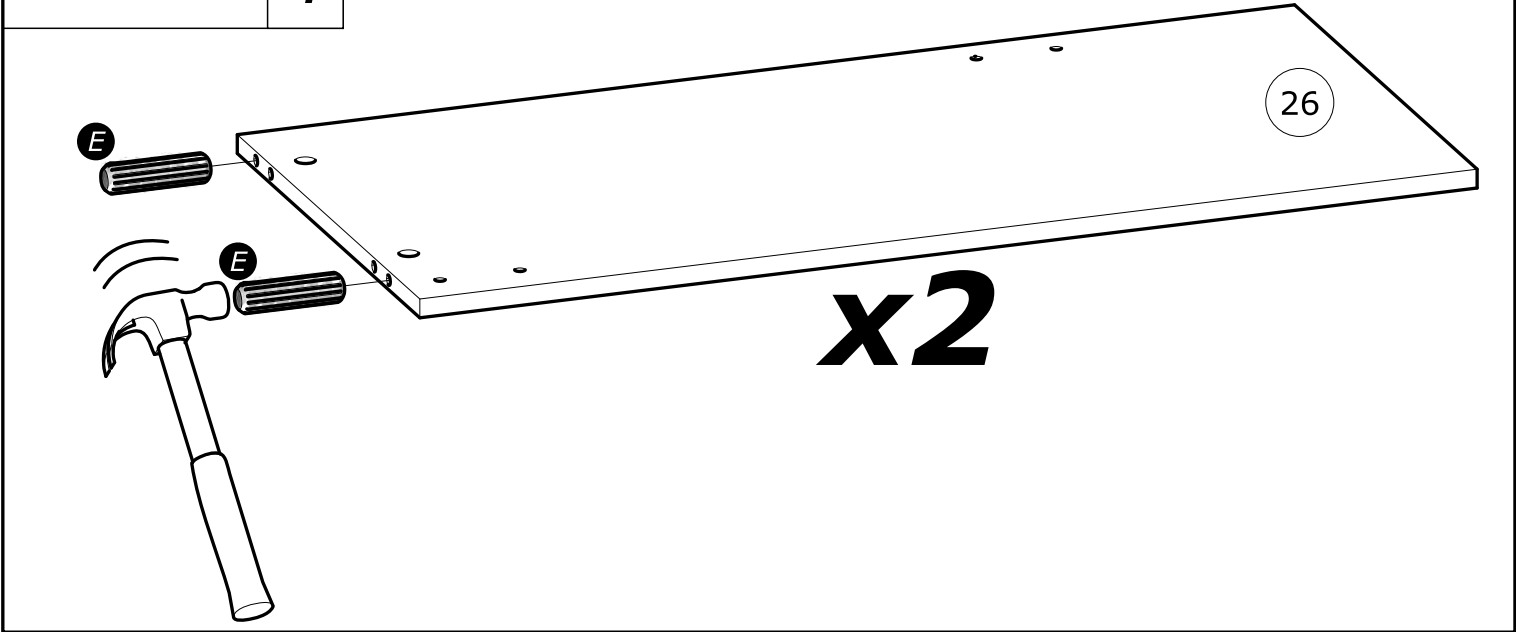
**x2**





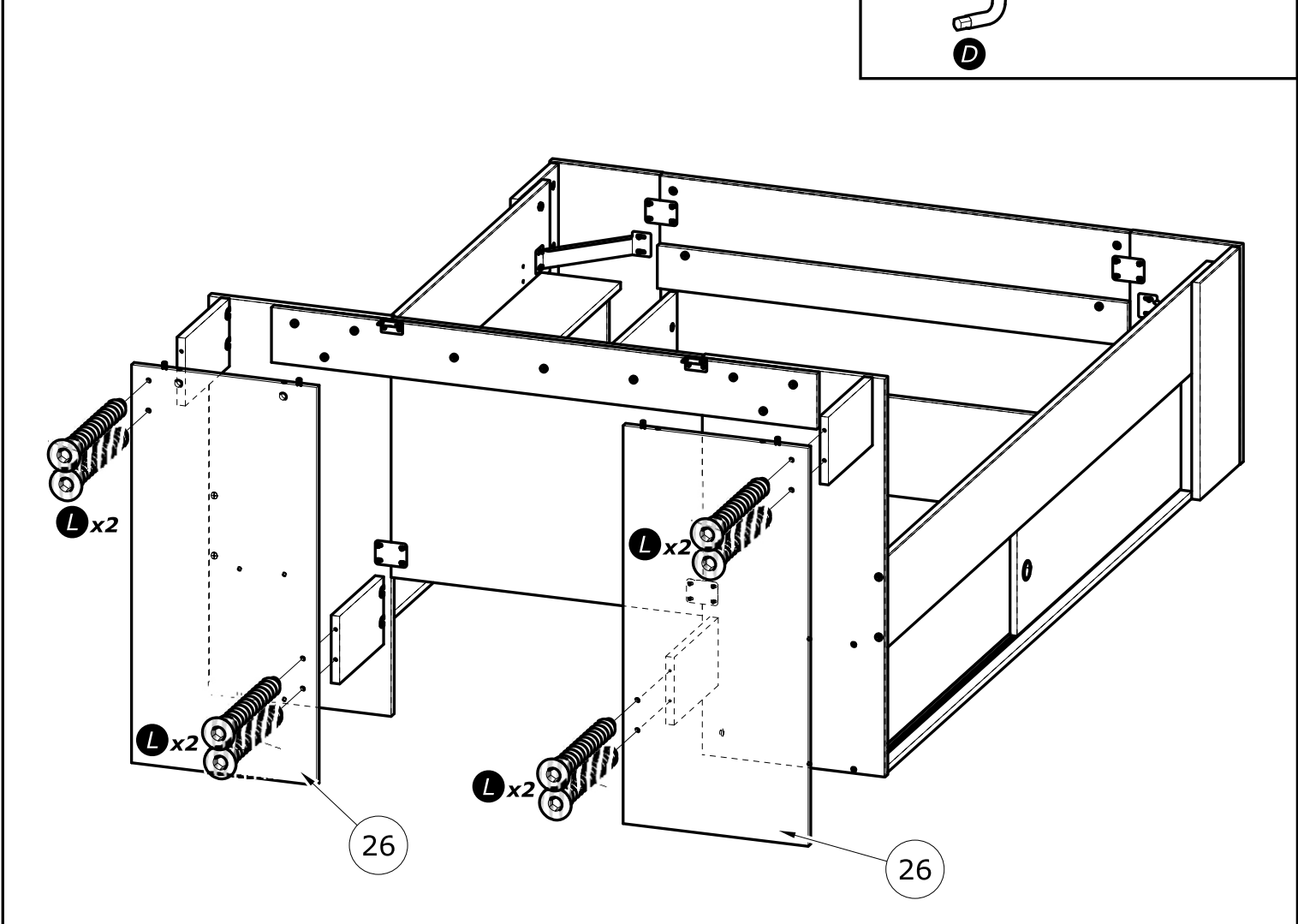
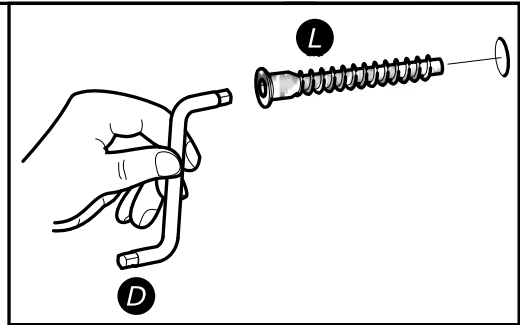
**E** x4  
8x30mm  
5/16" x 1 3/16"

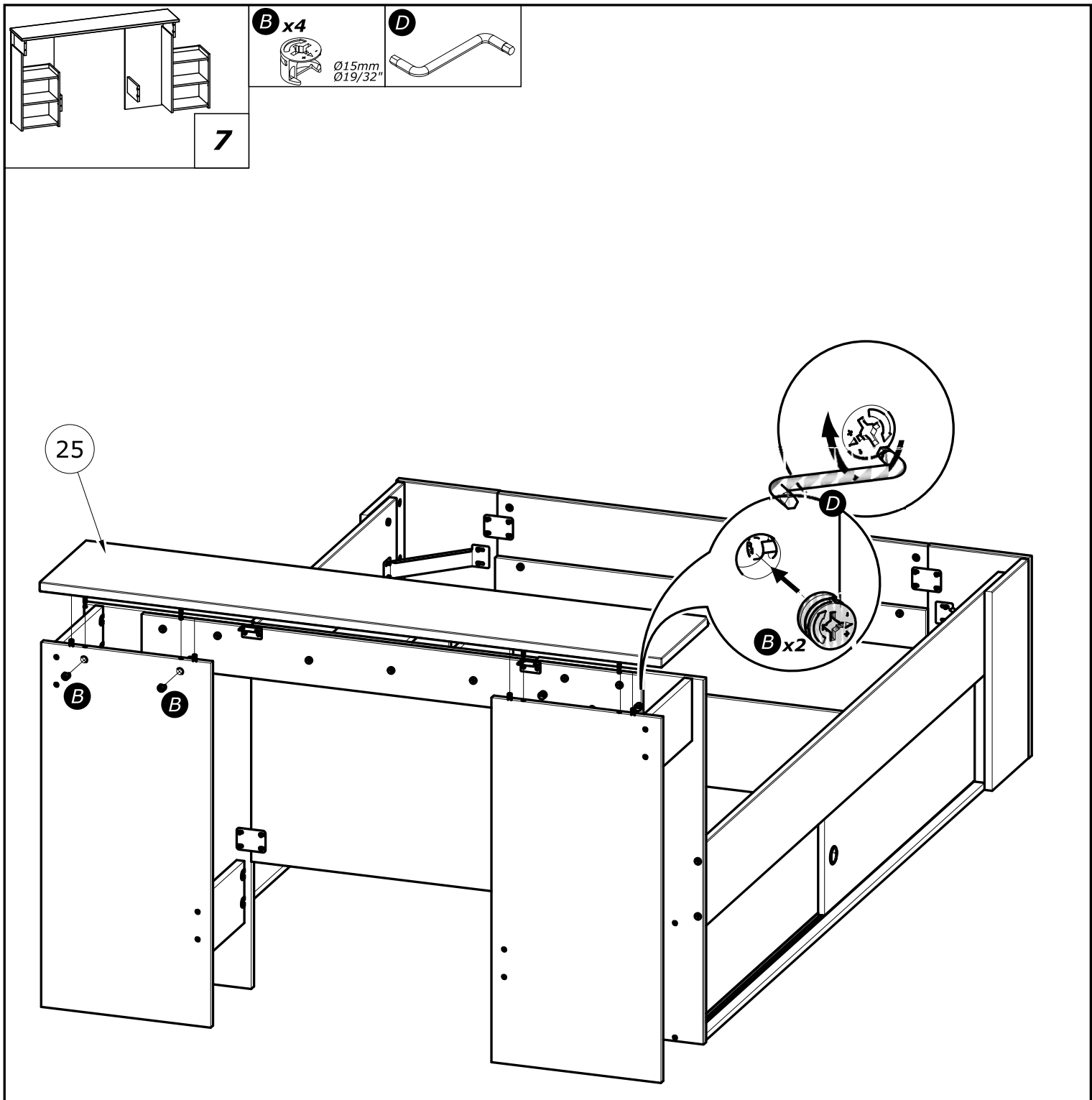
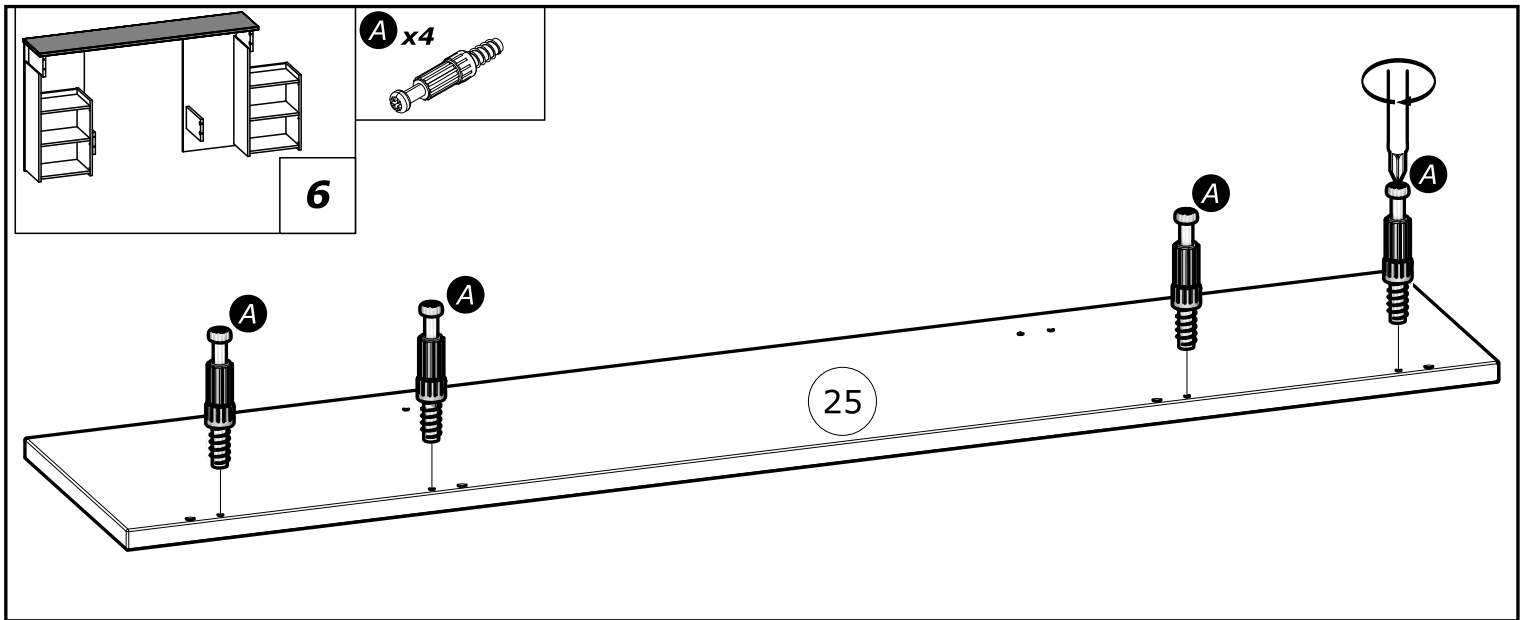
**4**



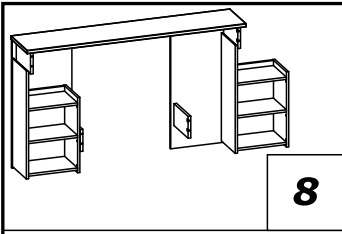
**D** **L** x8  
7x50mm  
9/32" x 1 31/32"

**5**

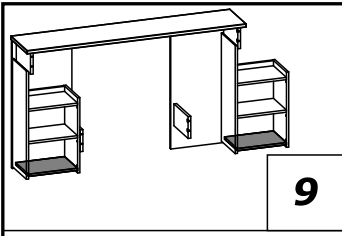
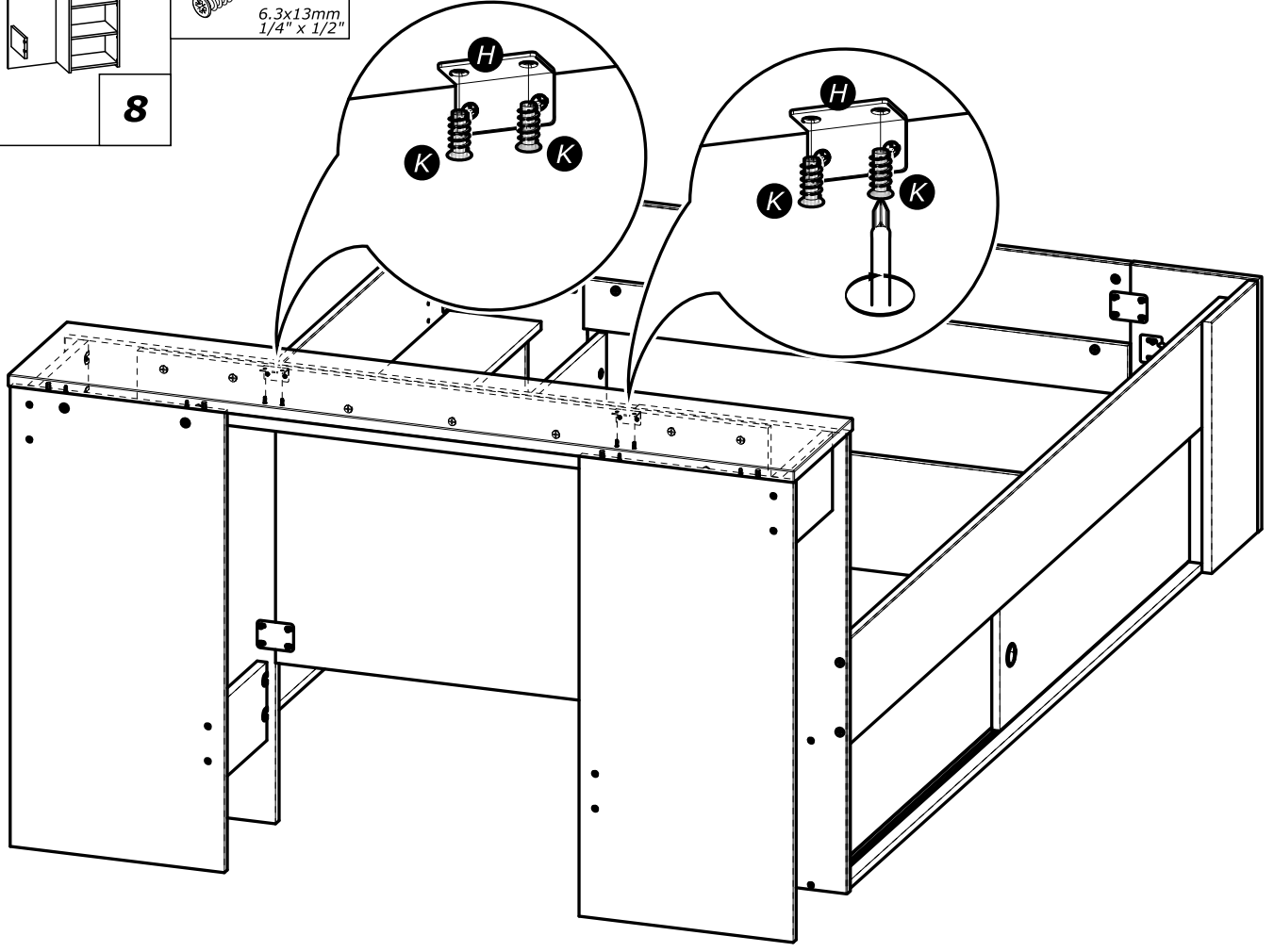






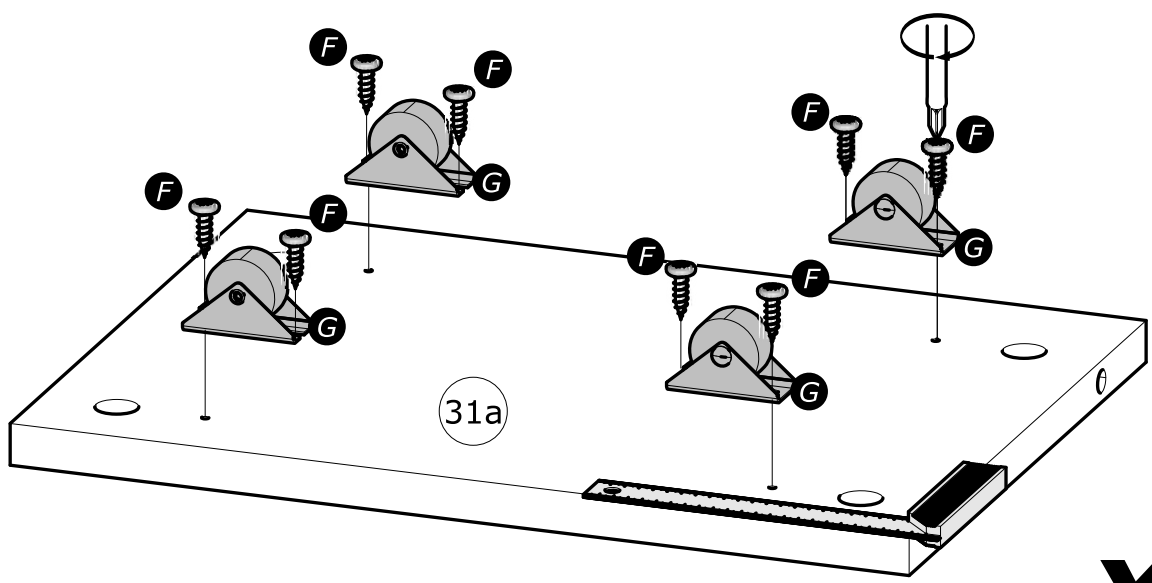


**K x4**  
6.3x13mm  
1/4" x 1/2"

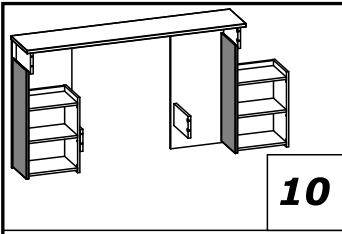


**F x16**  
4x13mm  
5/32" x 1/2"

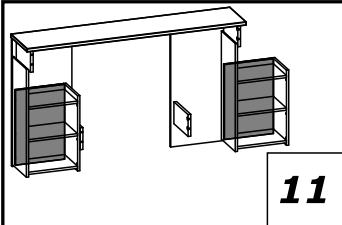
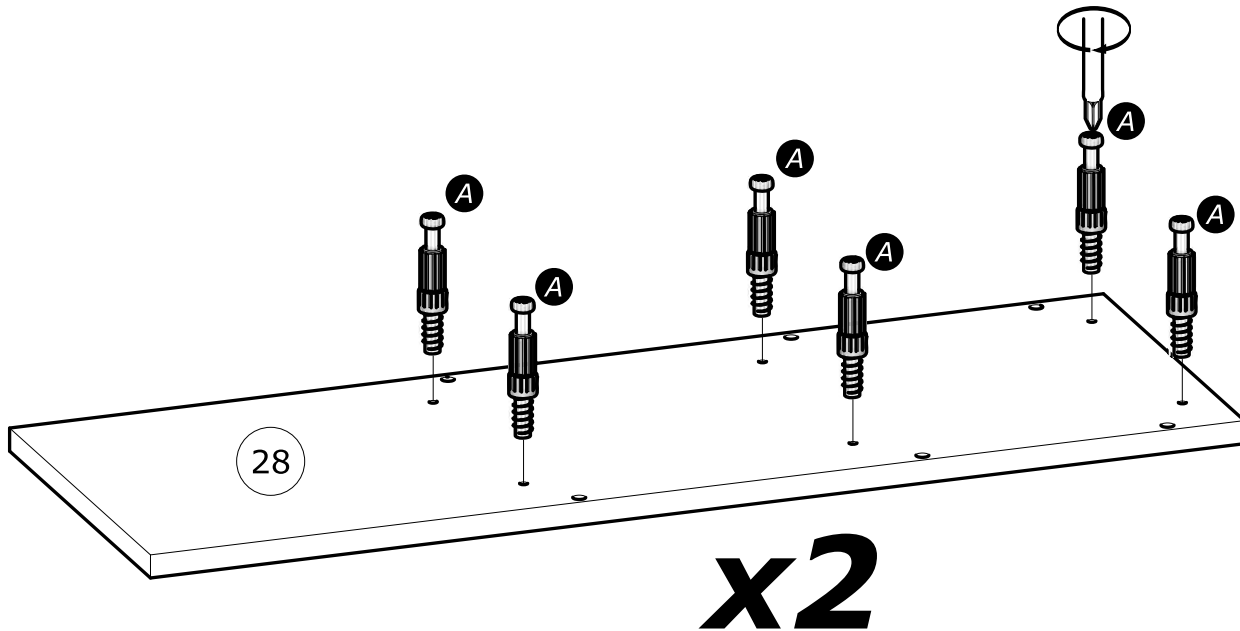
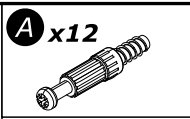
**G x8**



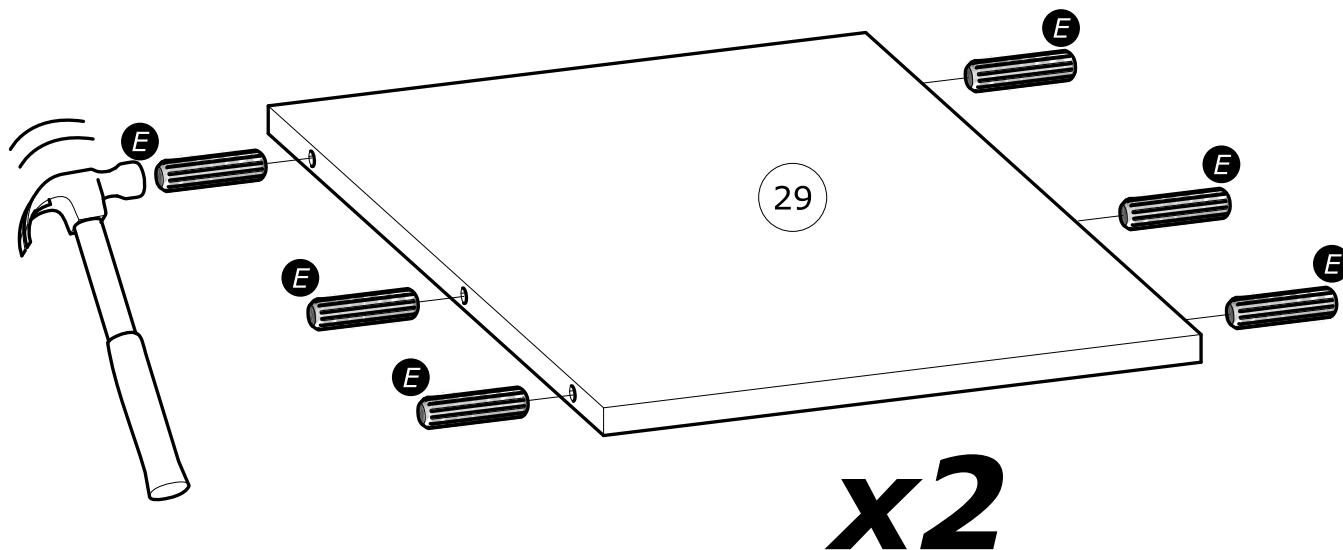
**x2**

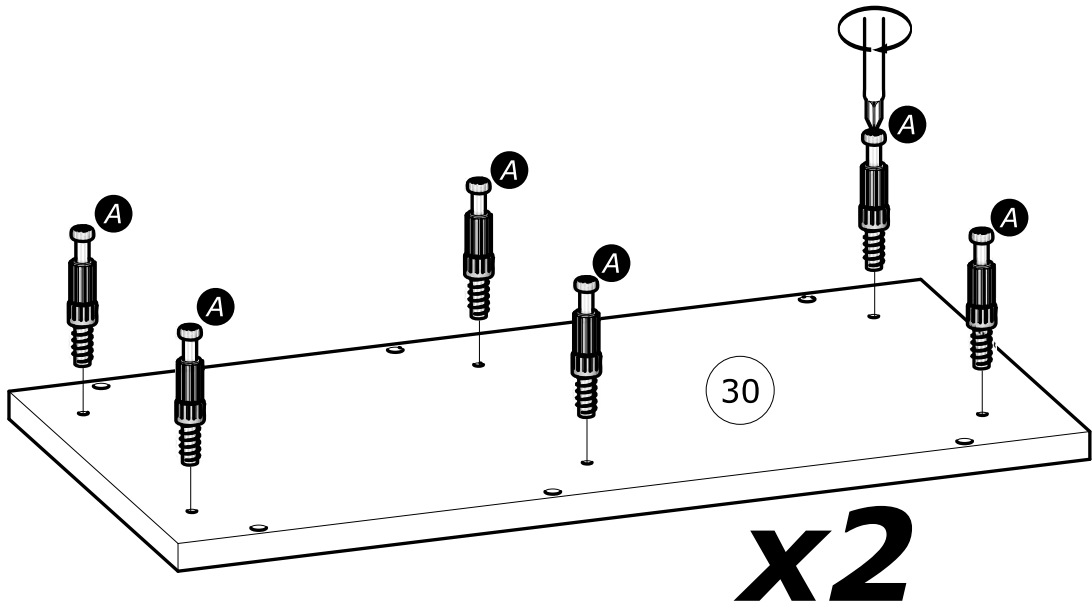
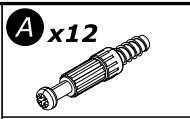
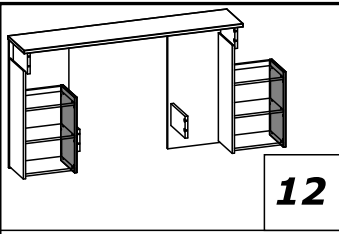


10

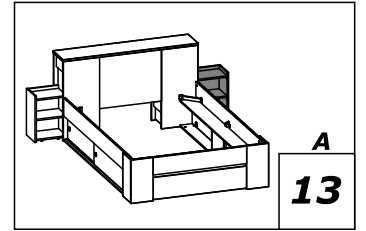
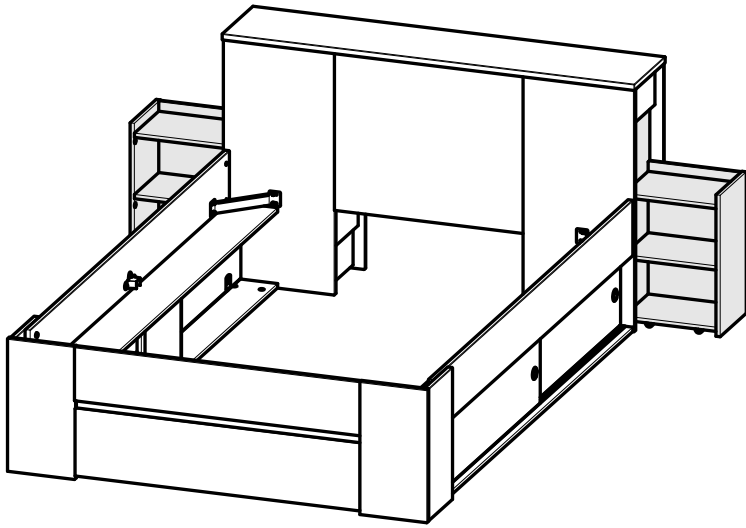


11

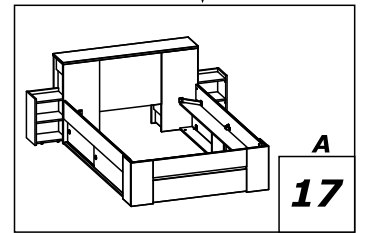
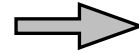




# A

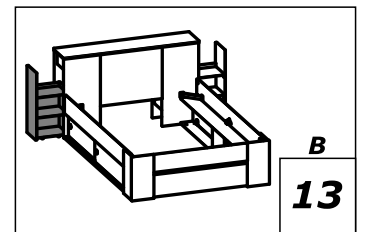
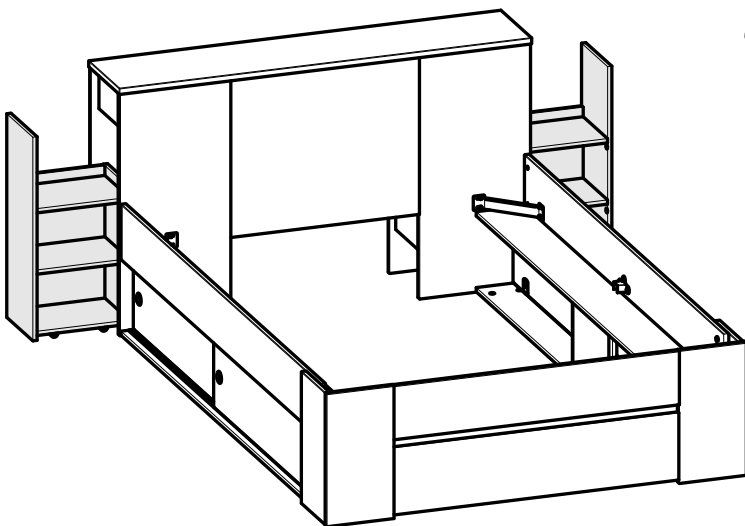


A  
**13**

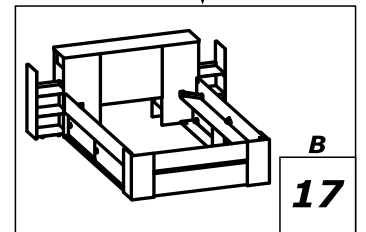
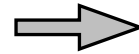


A  
**17**

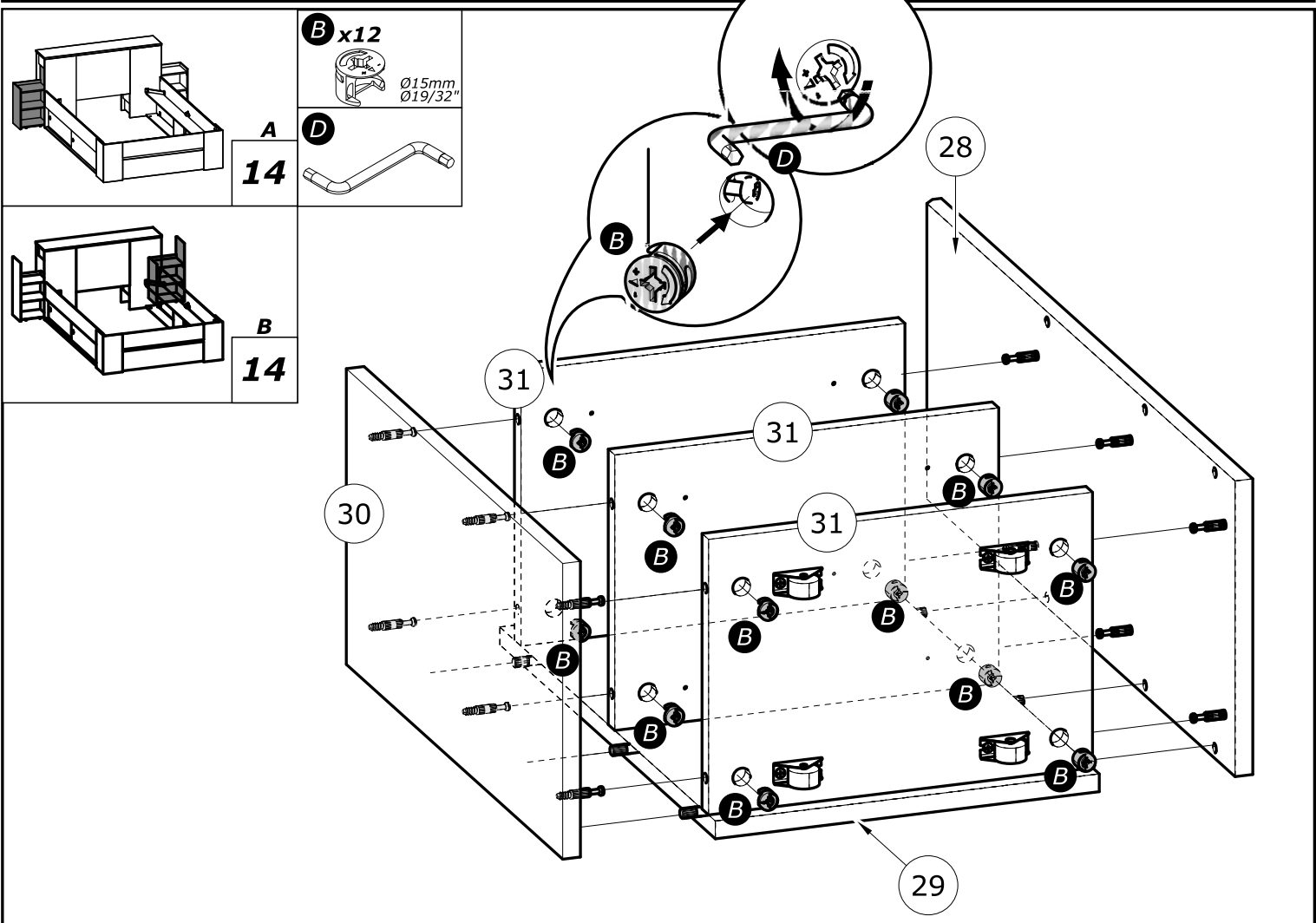
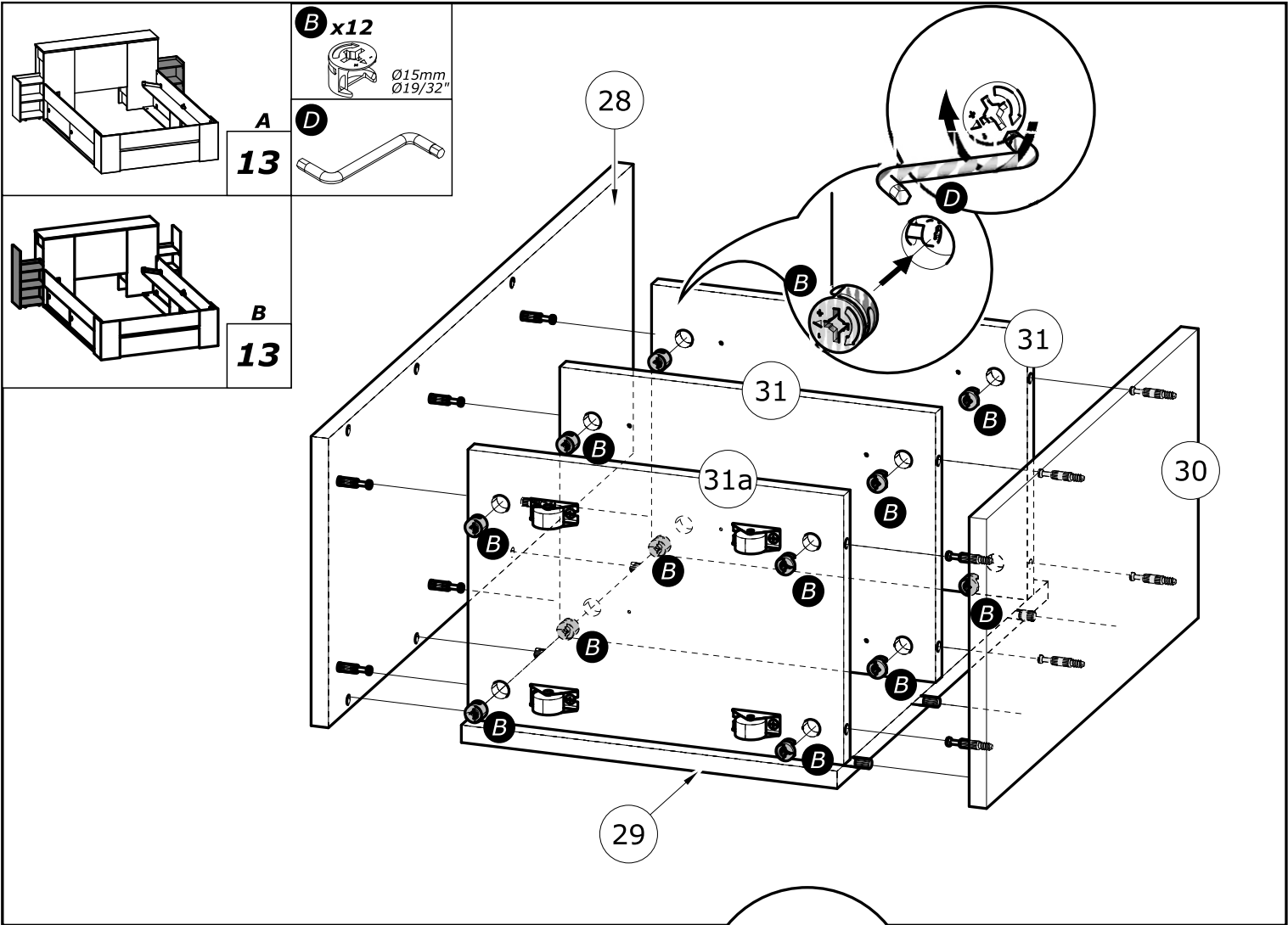
# B

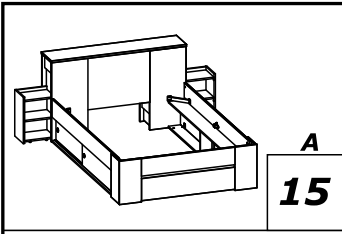


B  
**13**

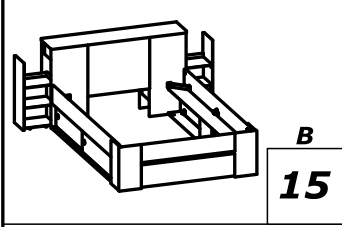
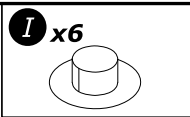


B  
**17**

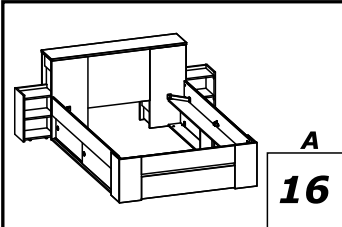
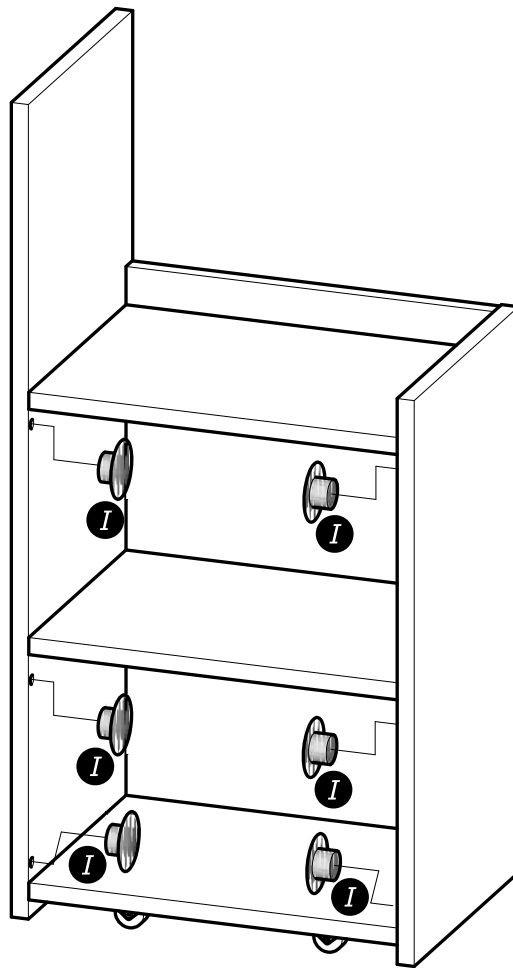




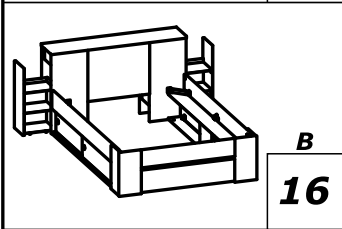
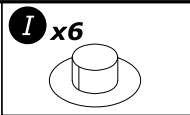
15



15



16



16

