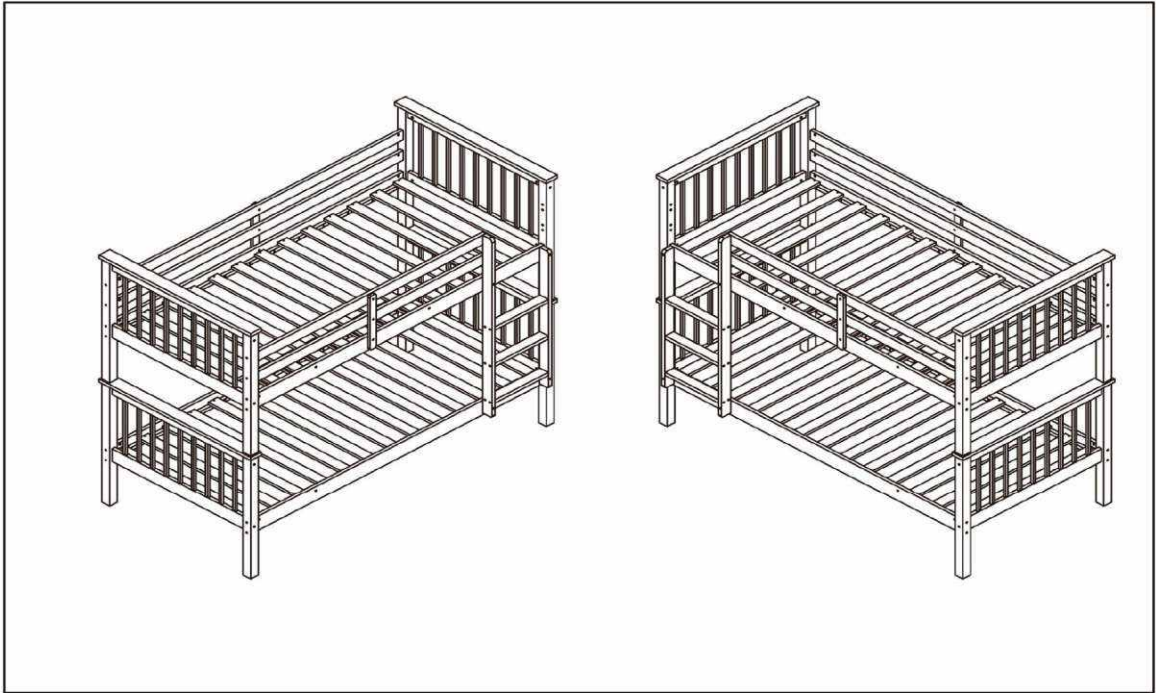
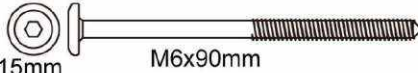

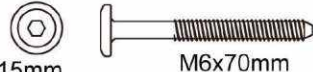
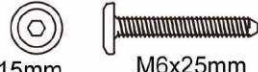
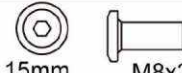
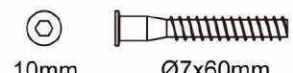









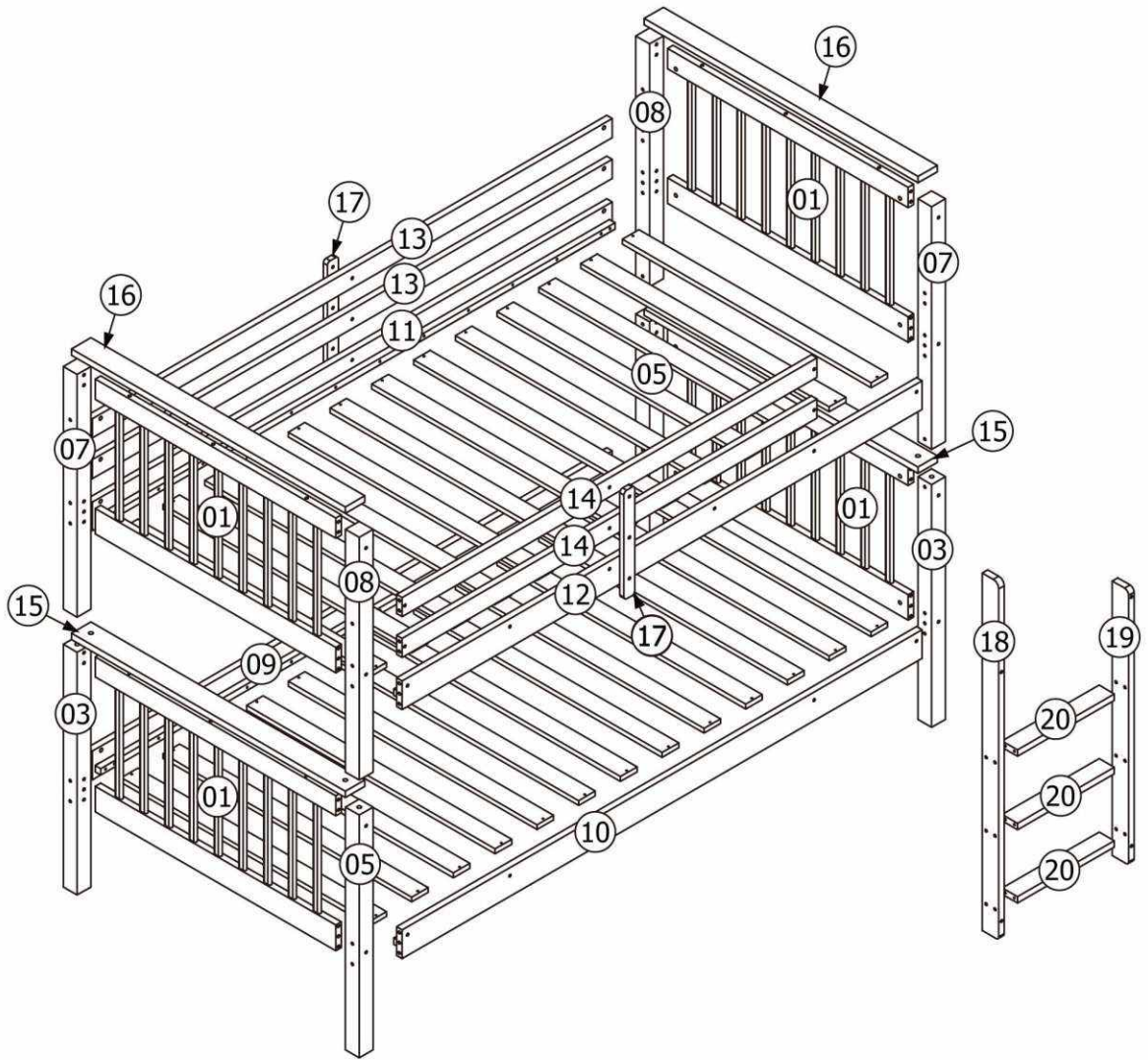
ROWAN, 90x200

B1230

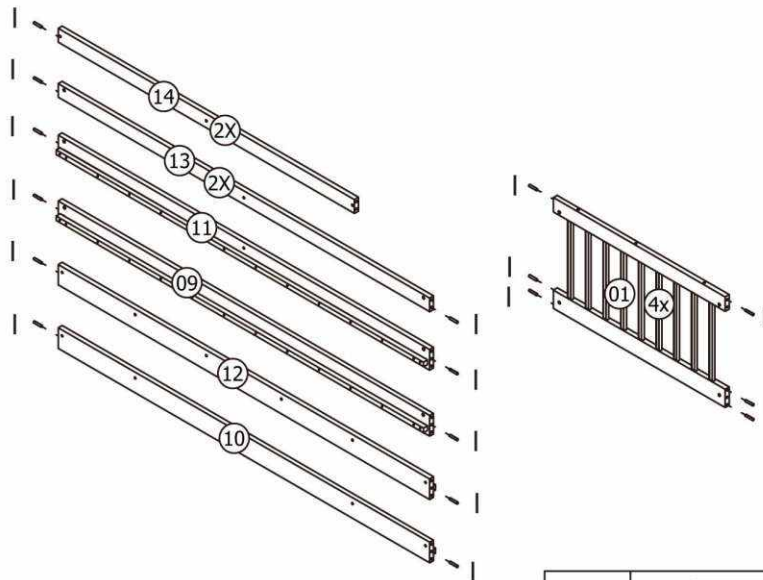



A	 15mm M6x90mm	38
B		38
C	 15mm M6x70mm	04
D	 15mm M6x25mm	06
E	 15mm M8x20mm	10
F	 10mm Ø7x60mm	14
M	 12mm M6x70mm	12

G		02
H	 Ø12x80mm	04
I	 Ø8x30mm	38
J	 8mm Ø4x30mm	68
K	 Ø8mm	19
L	 Ø10.5mm	02

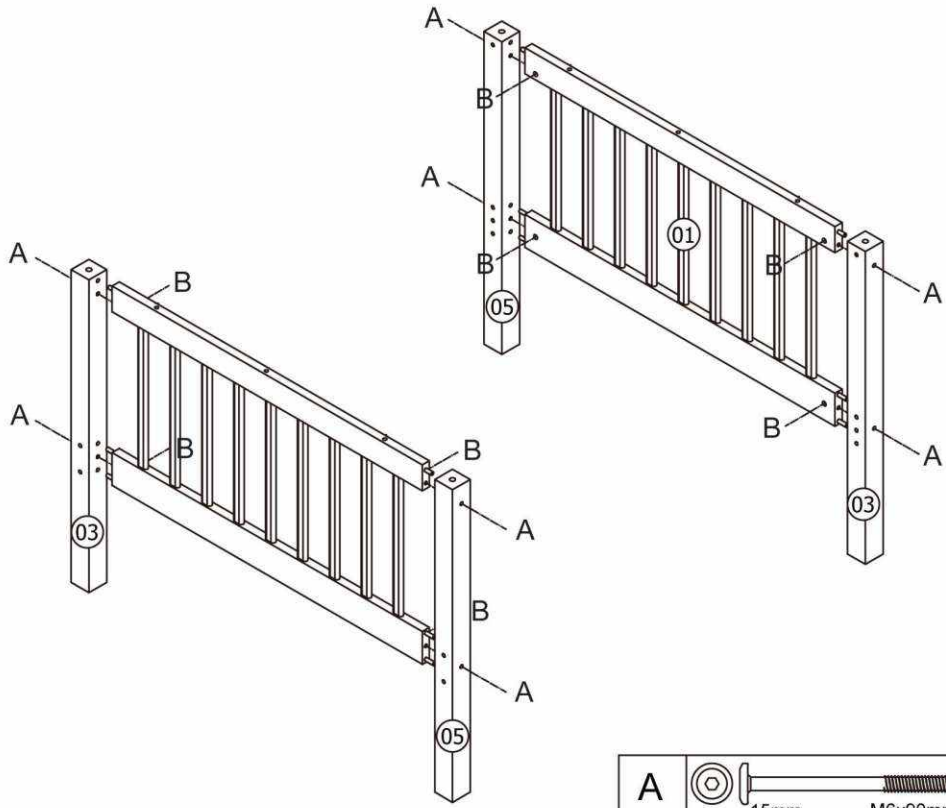




01



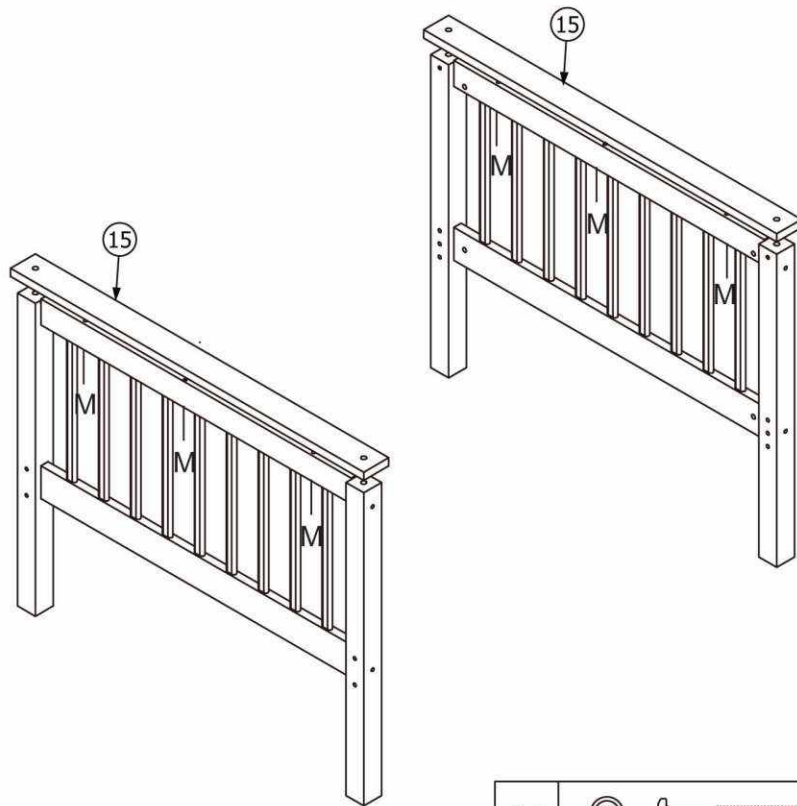
	 Ø8x30mm	38
--	--	-----------


02



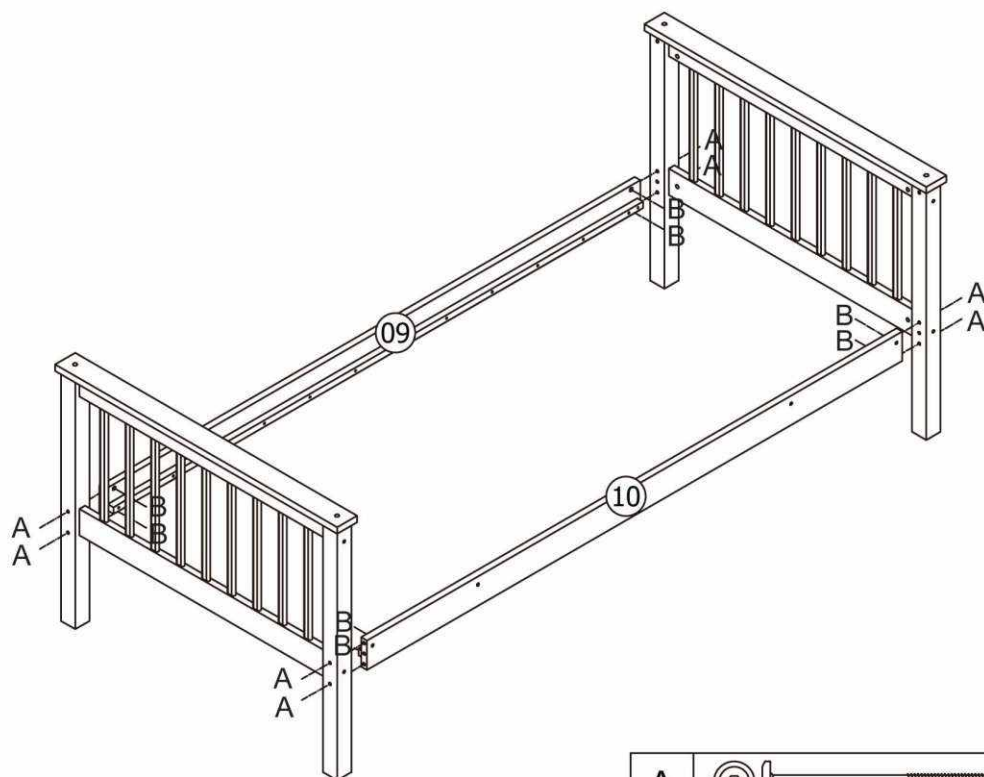
A	 15mm M6x90mm	08
B		08



03



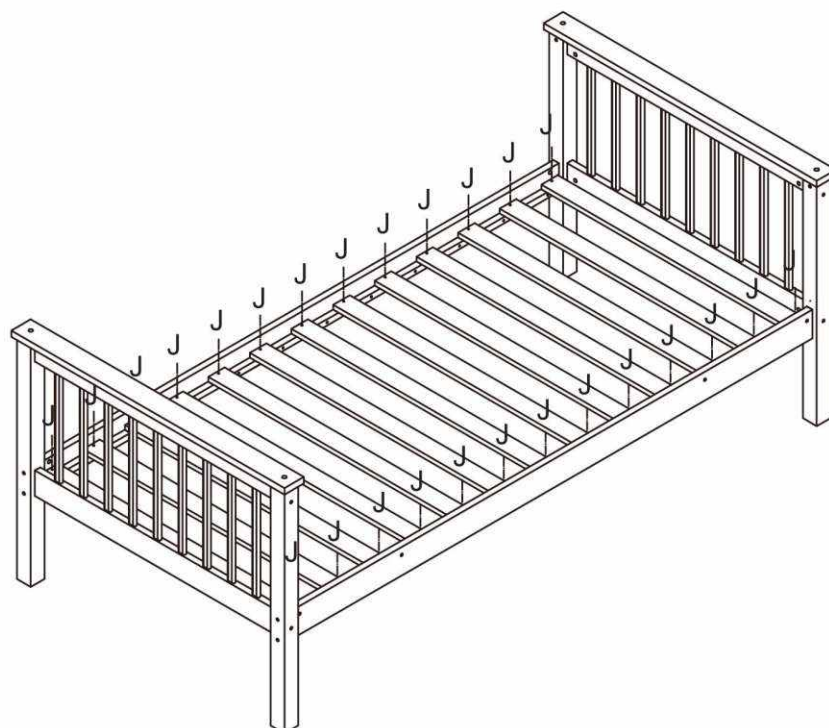
M	 12mm M6x70mm	06
---	--	----


04



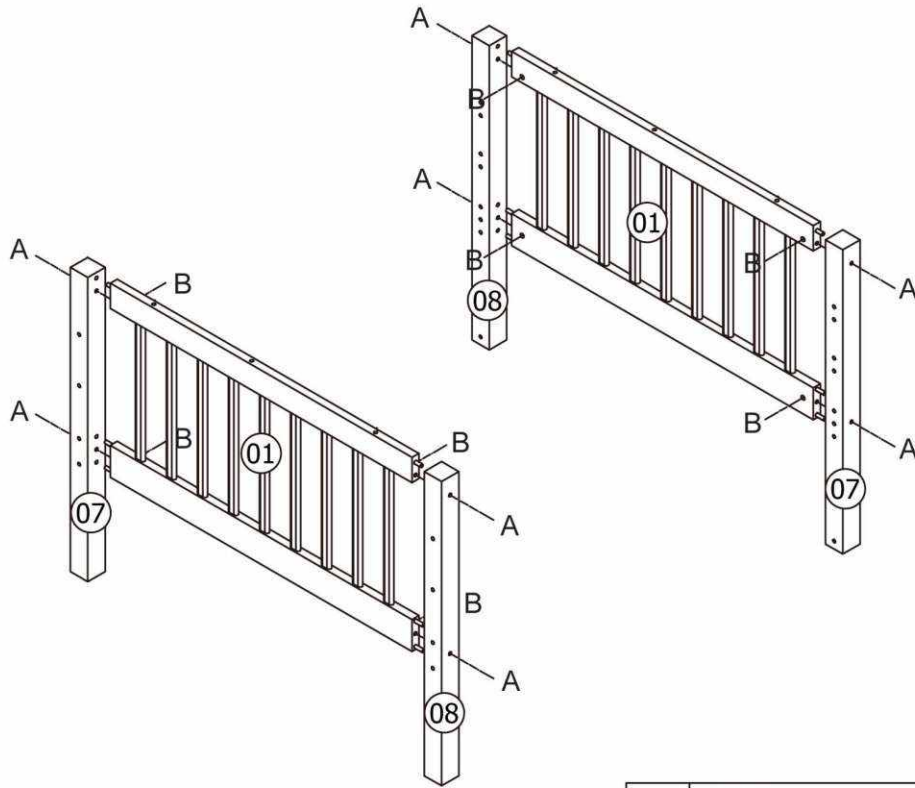
A	 M6x90mm	08
B		08



05



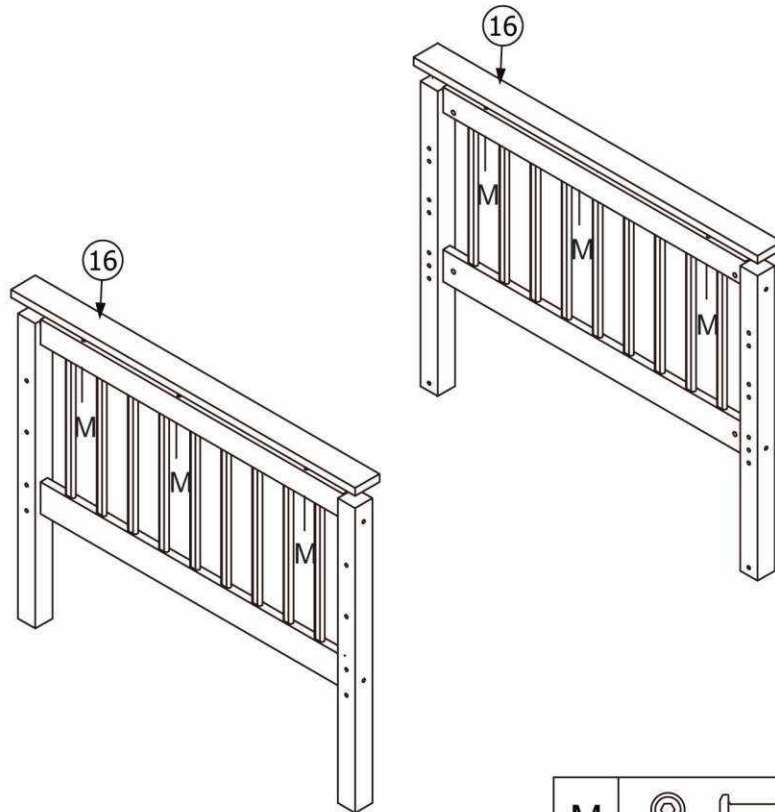
J	 8mm Ø4x30mm	36
---	---	----


06



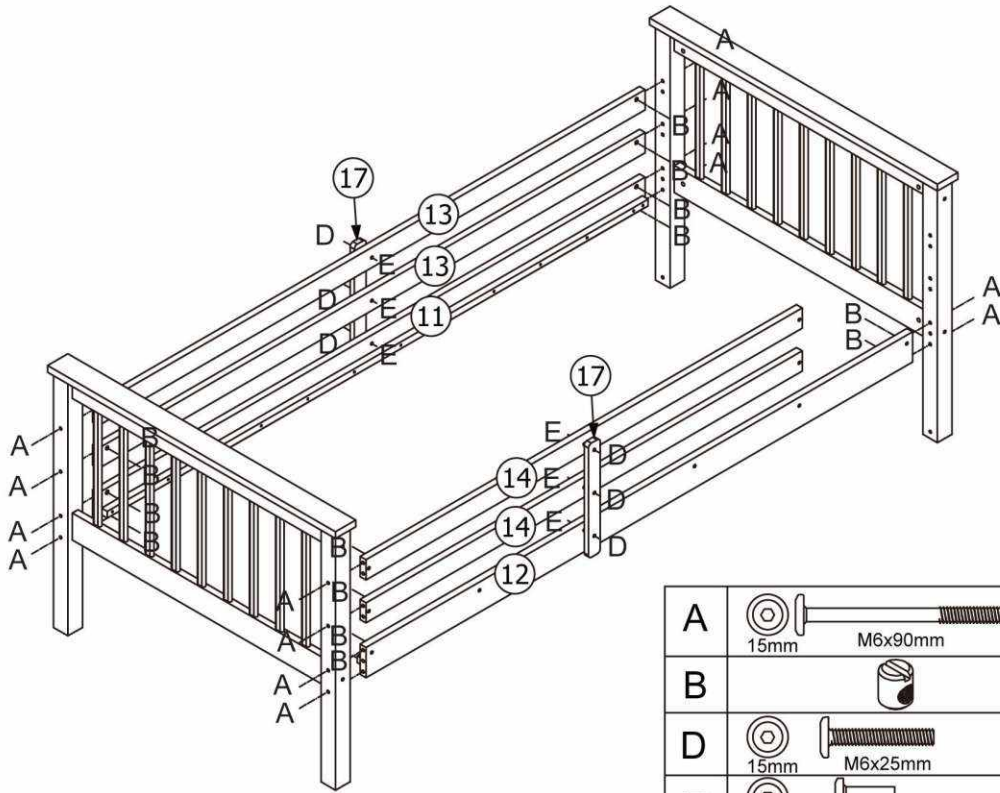
A	 M6x90mm	08
B		08





07



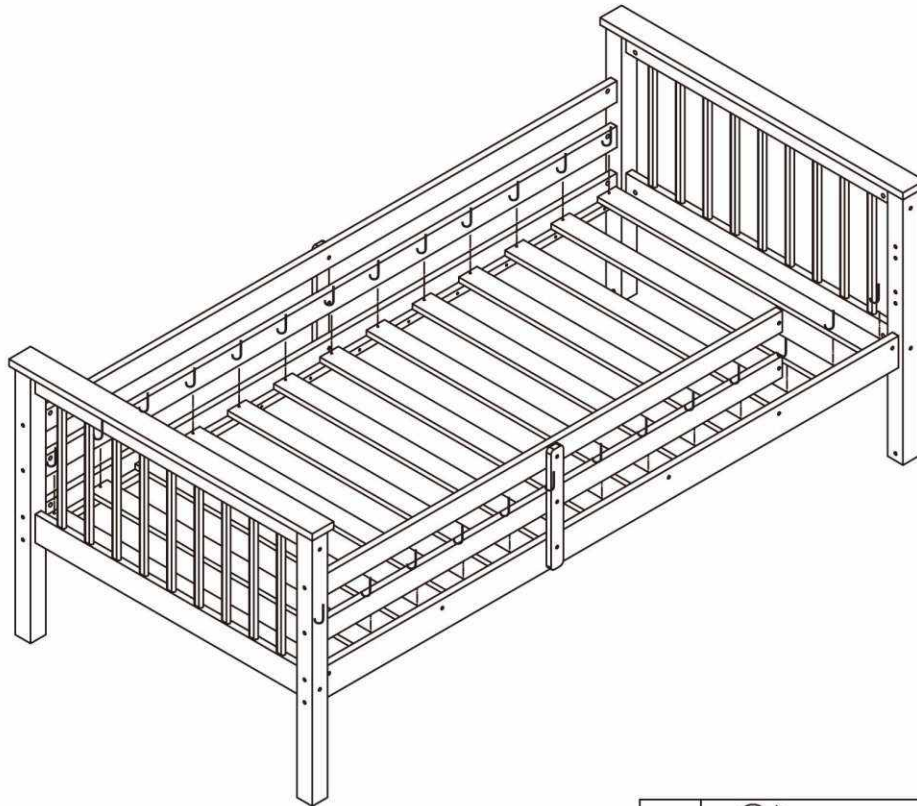
M	 12mm M6x70mm	06
---	--	----

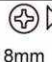
08



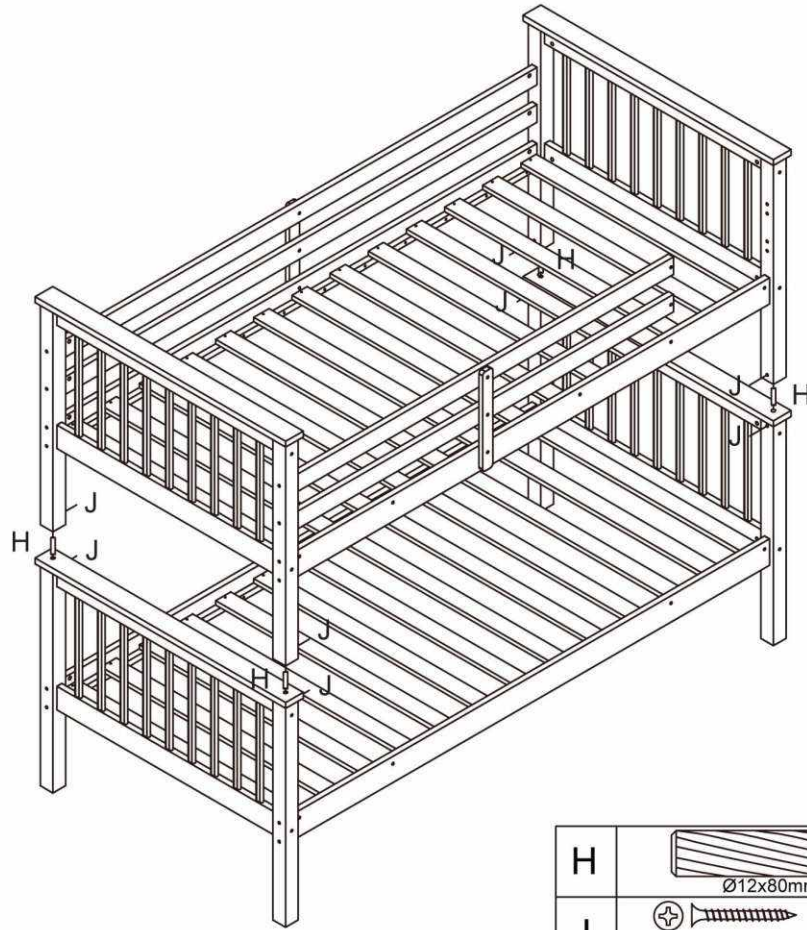
A	 15mm	M6x90mm	14
B			14
D	 15mm	M6x25mm	06
E	 15mm	M8x20mm	06


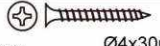
09



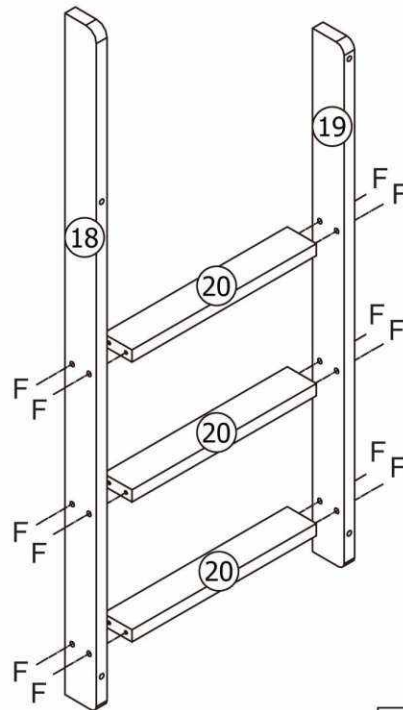
J	 8mm	Ø4x30mm	36
---	---	---------	----

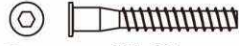
10



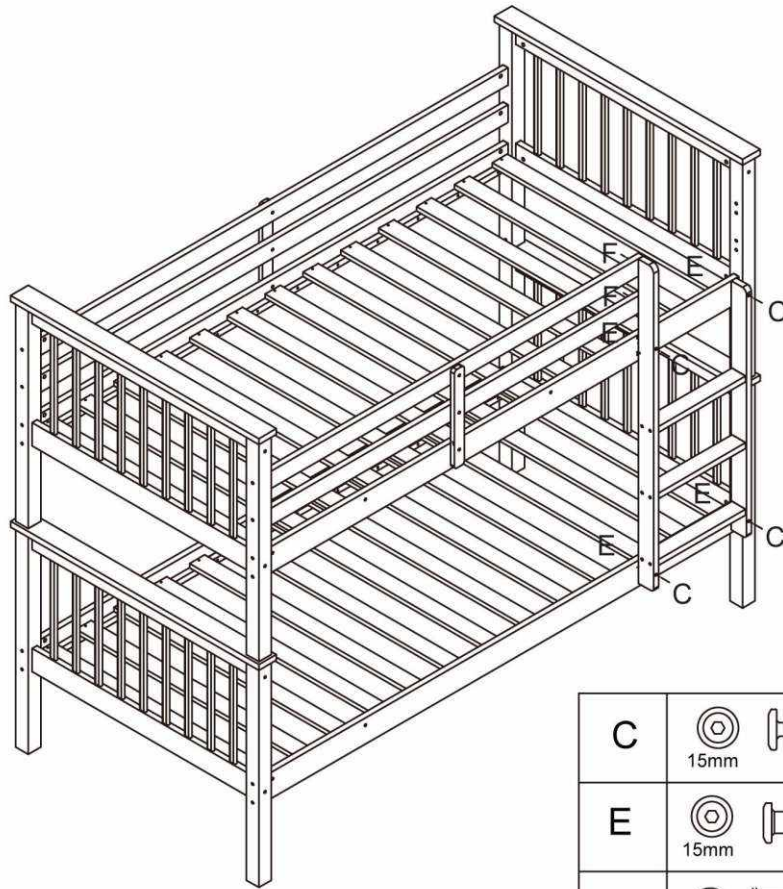
H	 Ø12x80mm	04
J	 8mm Ø4x30mm	08




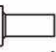

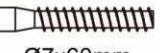
11



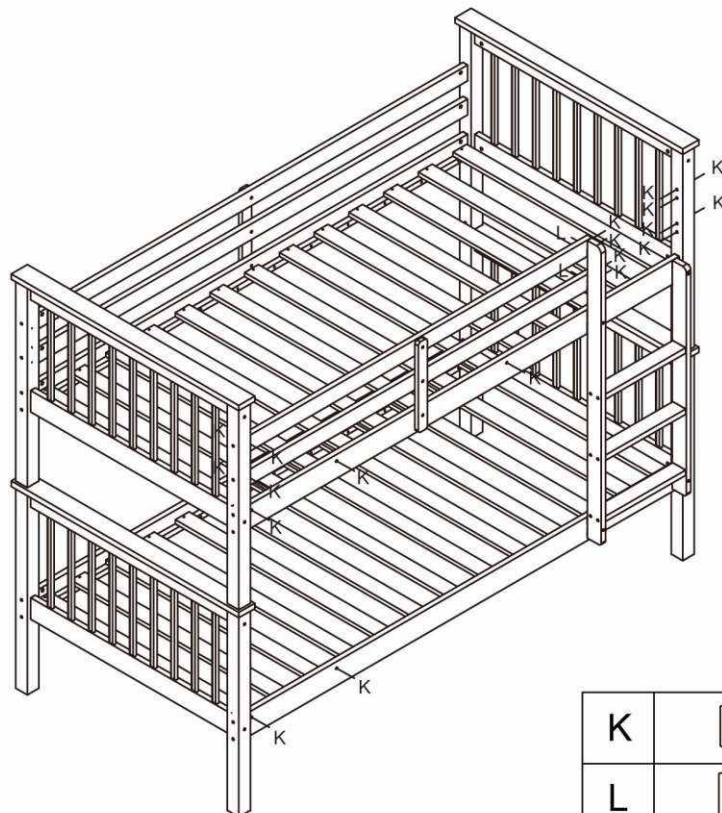
F	 10mm Ø7x60mm	12
---	---	----





12



C			04
E			04
F			02

13



K			Ø8mm	19
L			Ø10.5mm	02