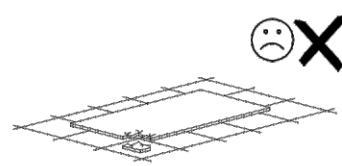
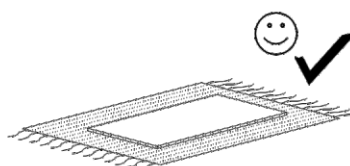
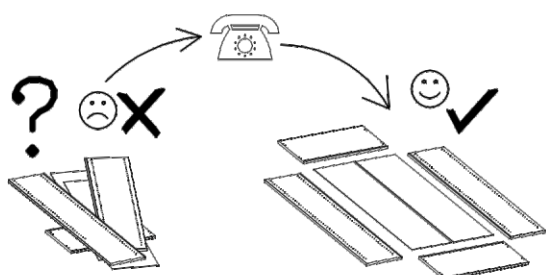
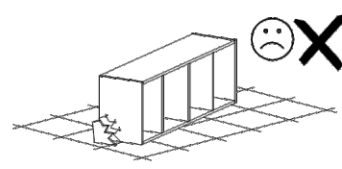
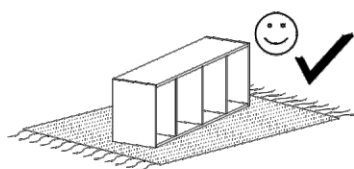
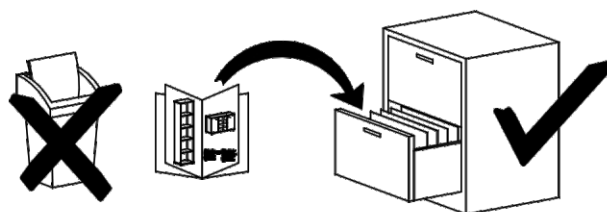
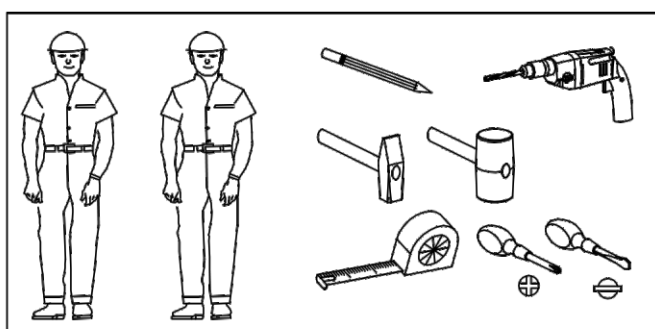
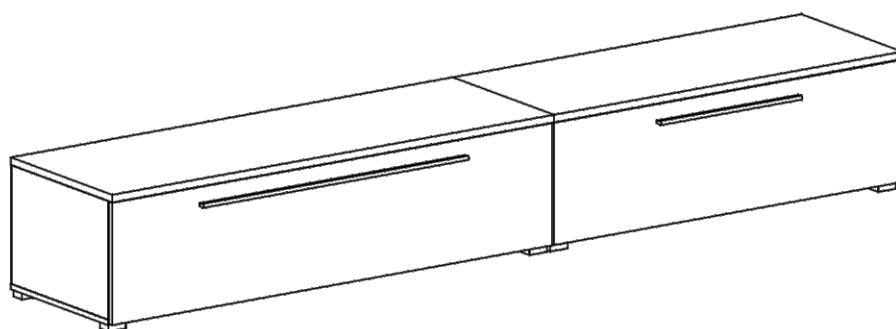
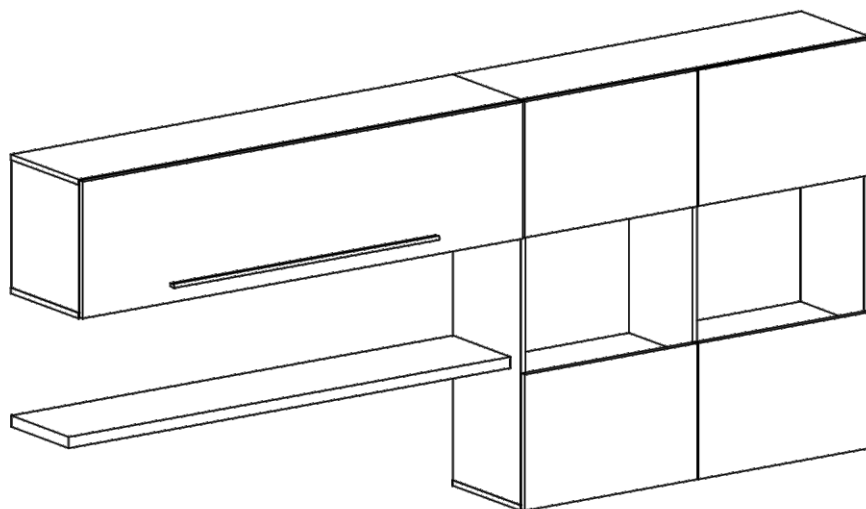
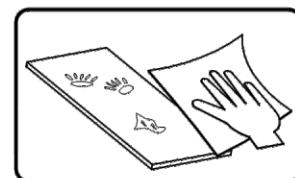
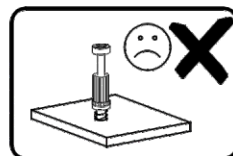
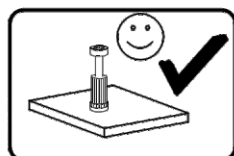
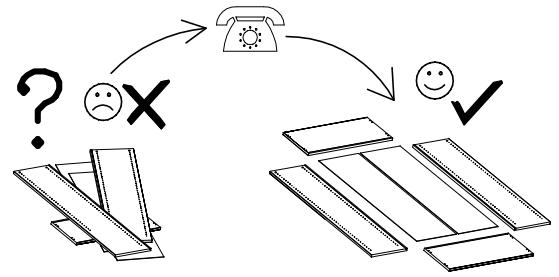
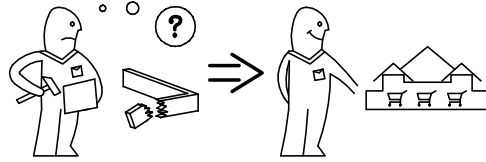
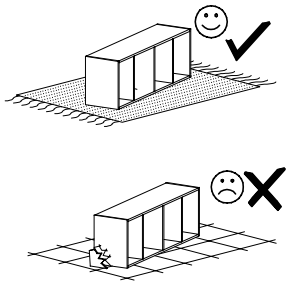


SOFI

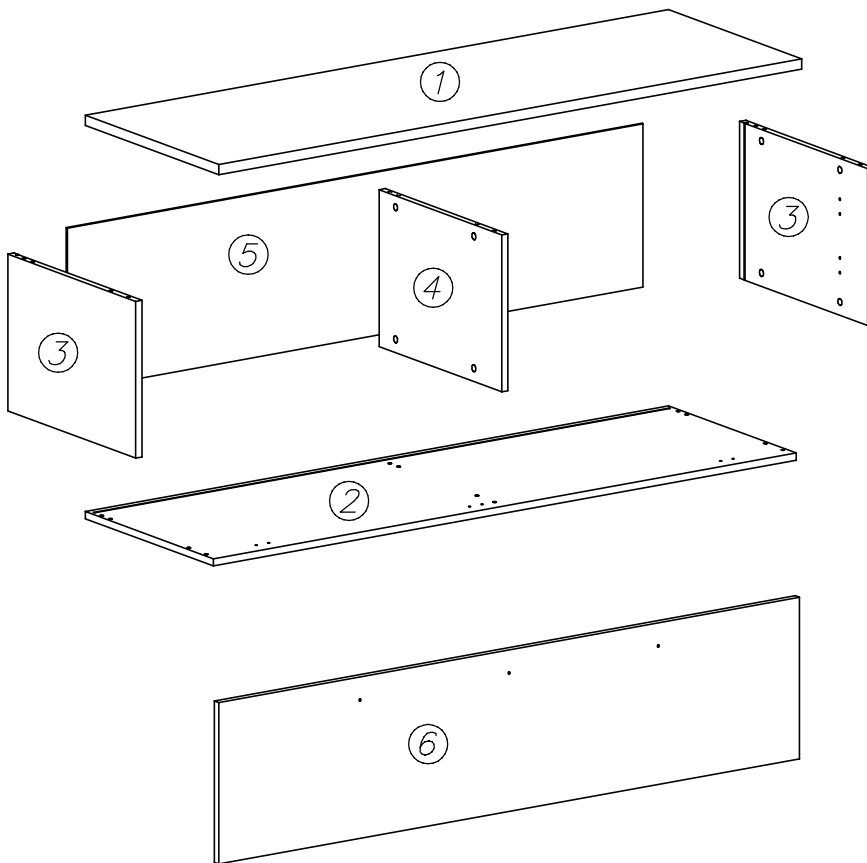


3,5h

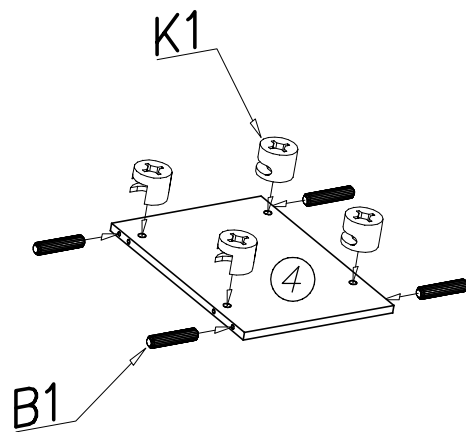
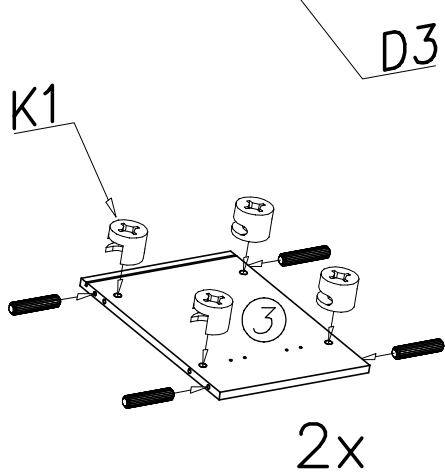
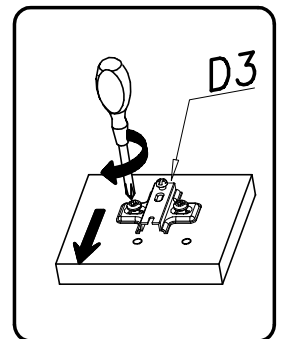
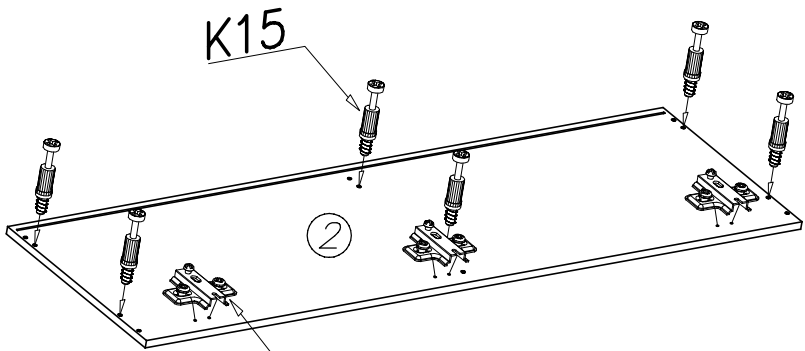
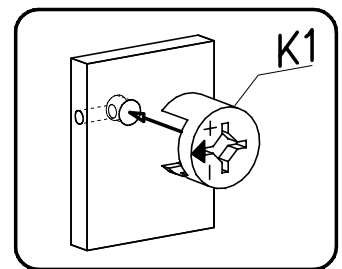
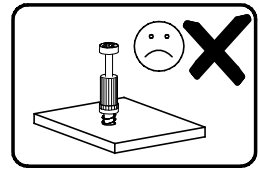
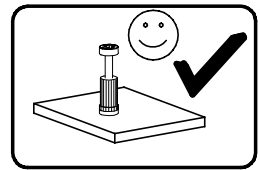
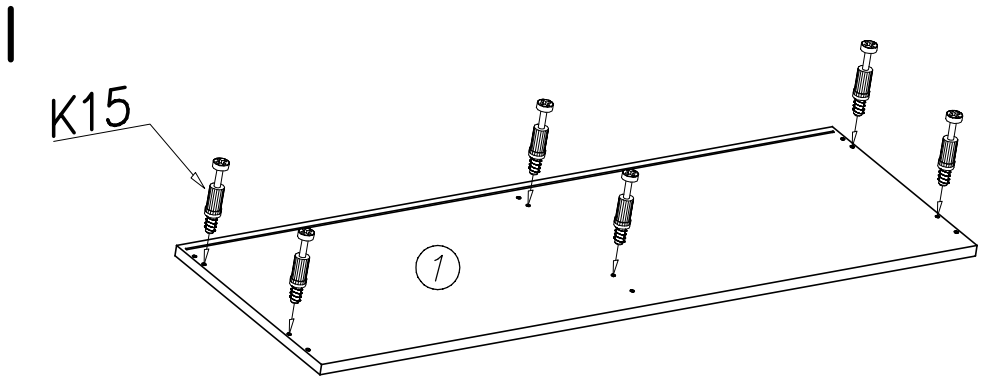
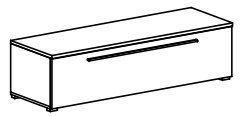




nr	L[mm]	B[mm]	T[mm]	Menge	Colli
1	1500	490	22	1	1/5
2	1500	470	16	1	1/5
3	338	470	16	2	1/5
4	338	450	16	1	1/5
5	1479	350	3	1	1/5
6	1494	348	16	1	1/5

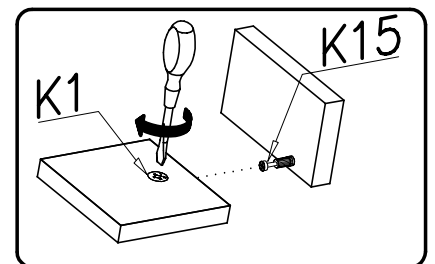
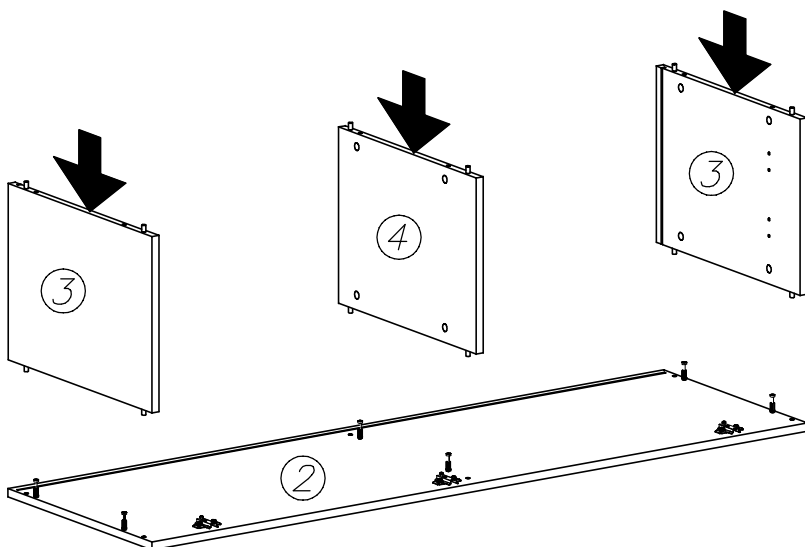


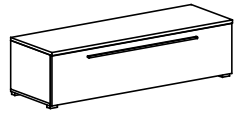
P15 x...(5)	G12 4x25 x...(10)	L6 x...(2)	E74 900mm x...(1)
K1 ø15x12 x...(12)	G8 4x30 x...(3)	C3 Z35PR x...(3)	I1 x...(10)
K15 x...(12)	B1 ø8x35 x...(12)	D3 PZ35PR x...(3)	G21 3x16 x...(9)
			G36 3,5x13 x...(9)



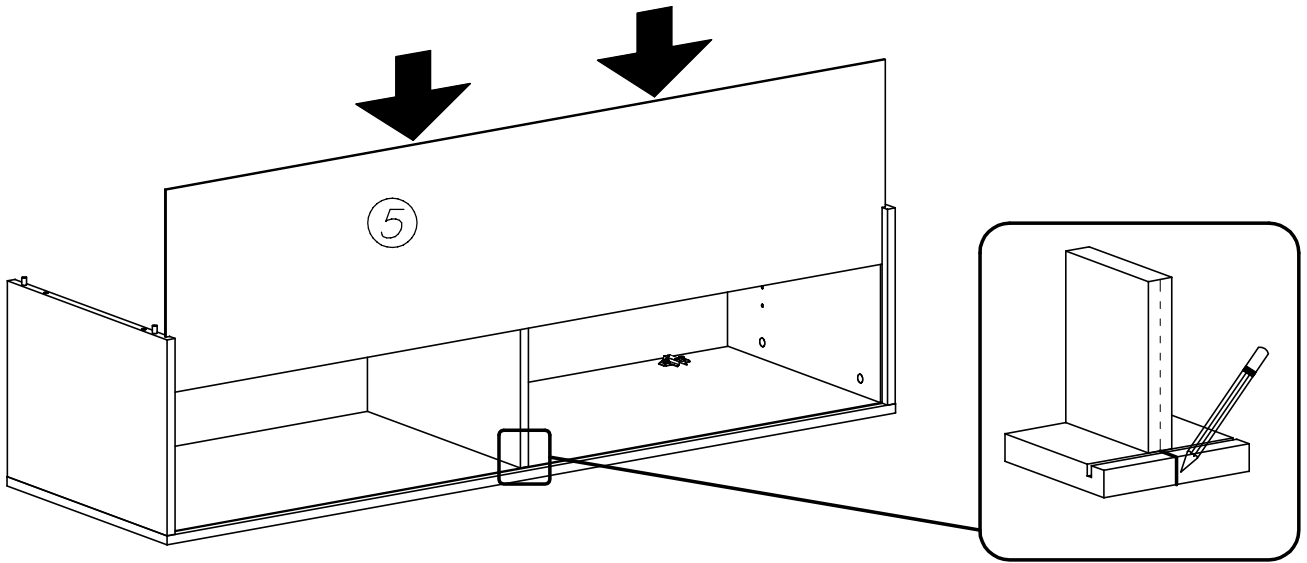
2x

II

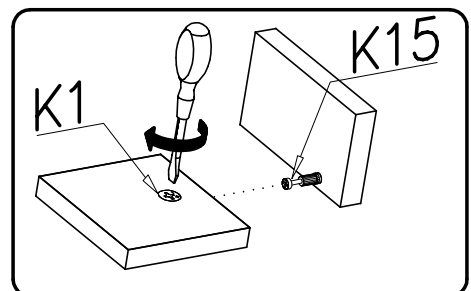
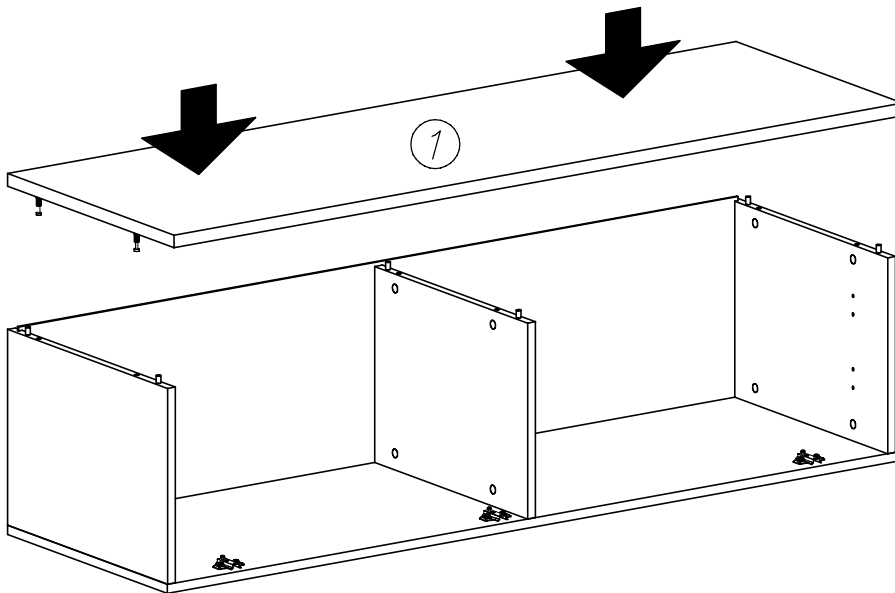


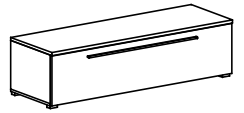


III

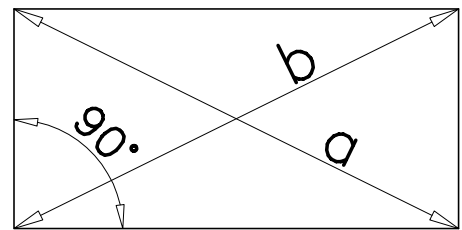
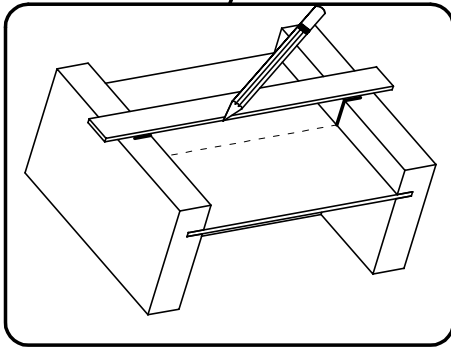
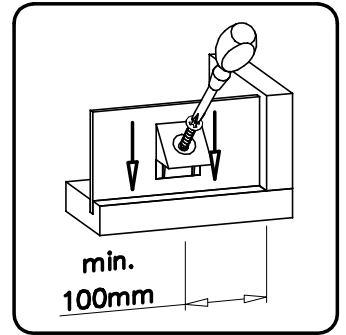
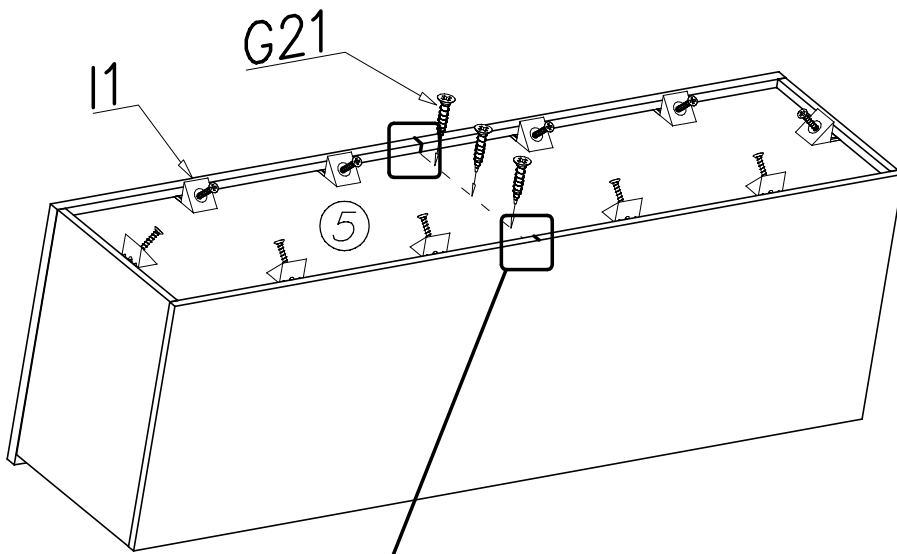


IV



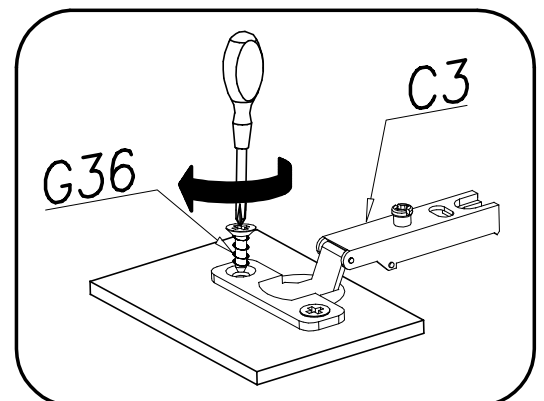
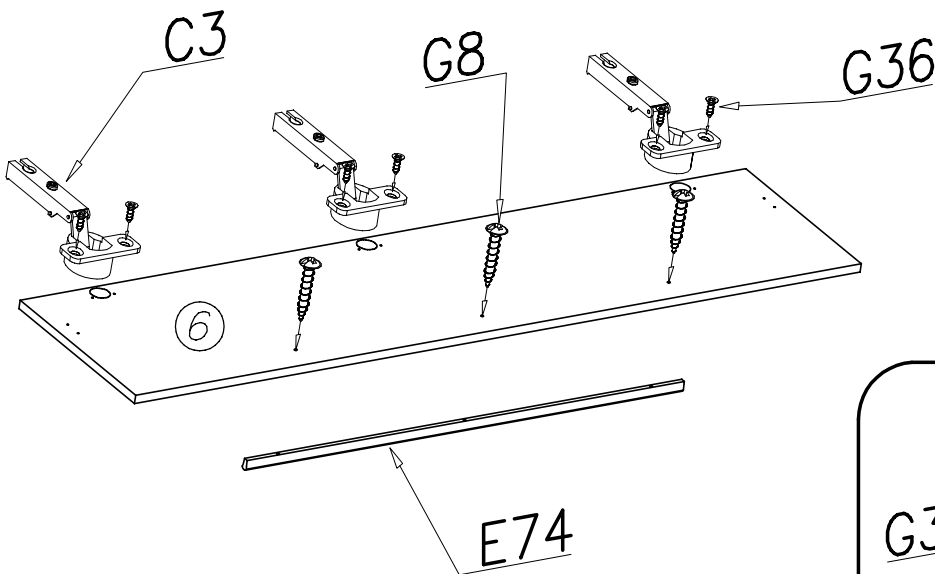


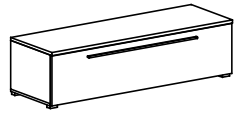
V



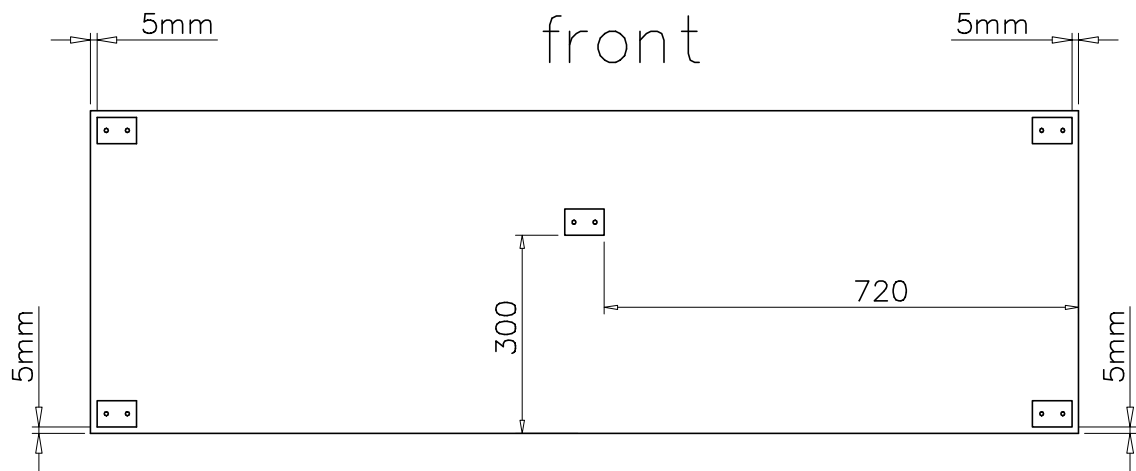
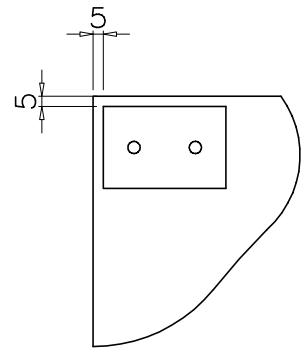
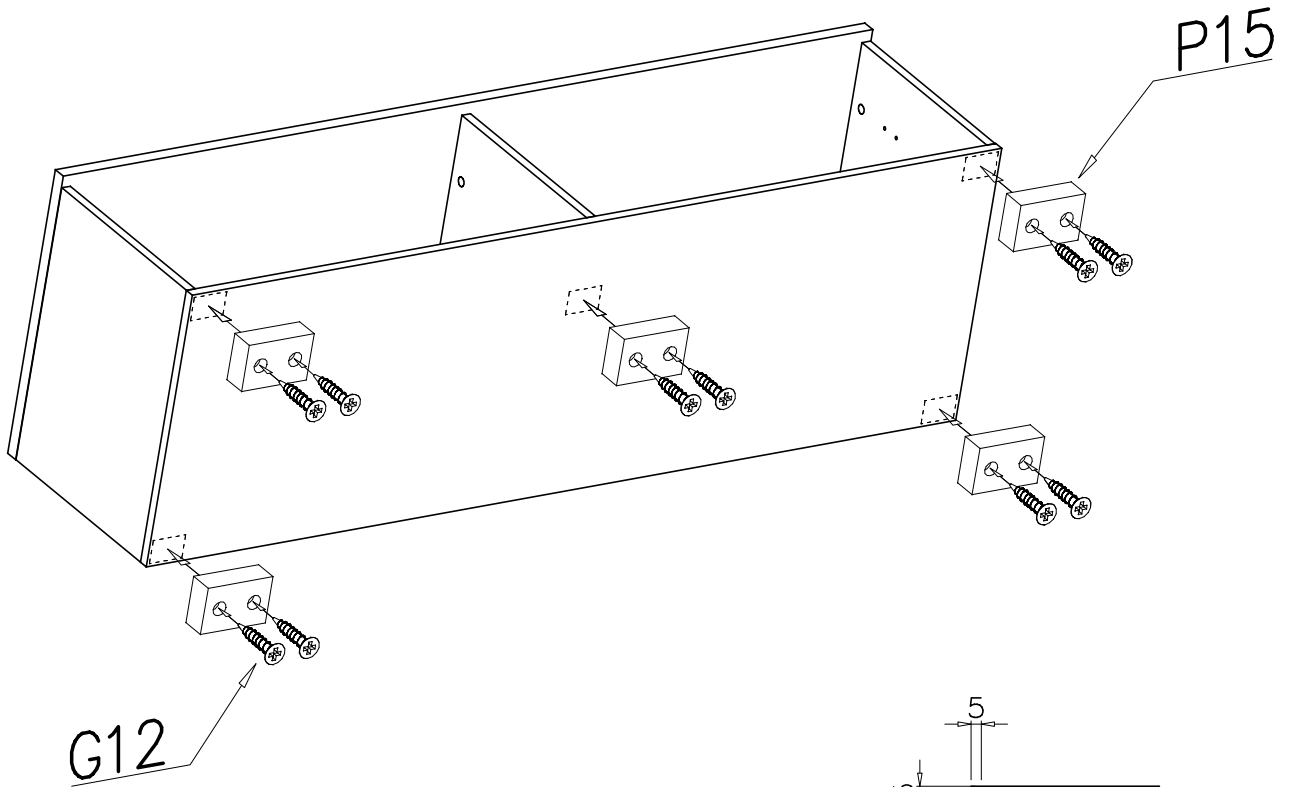
$$a = b$$

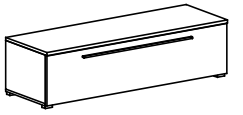
VI



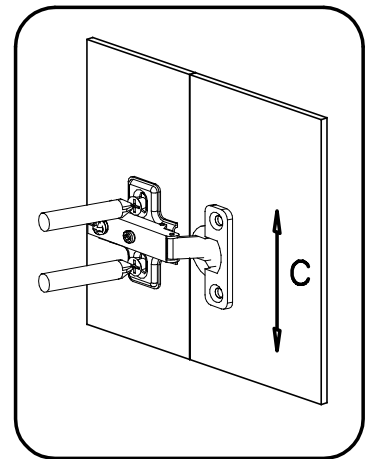
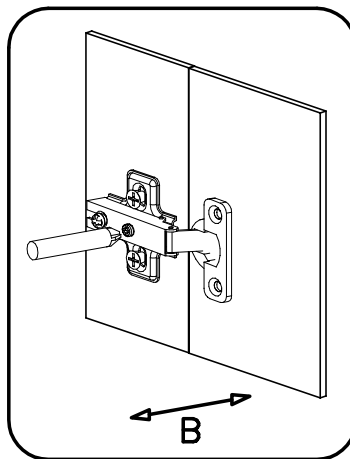
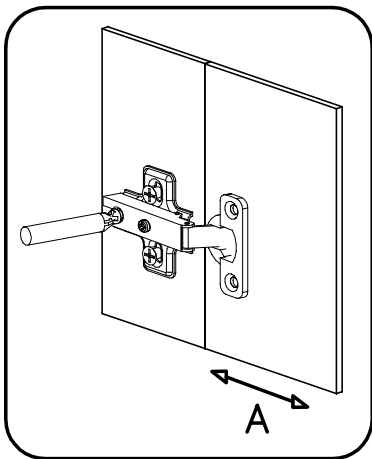
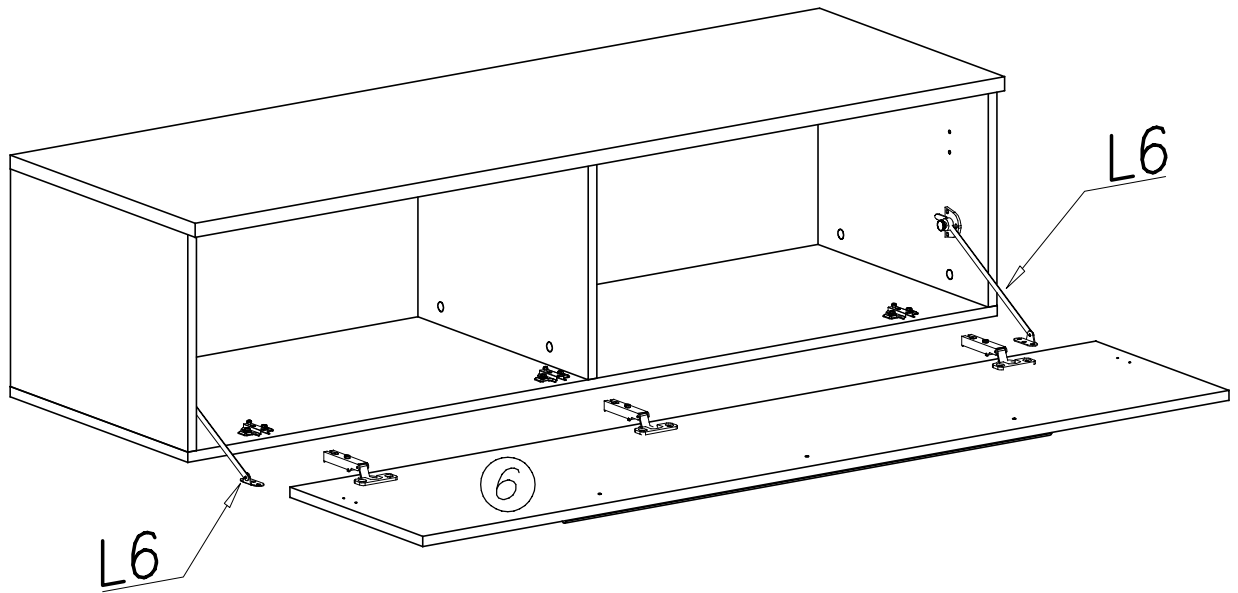
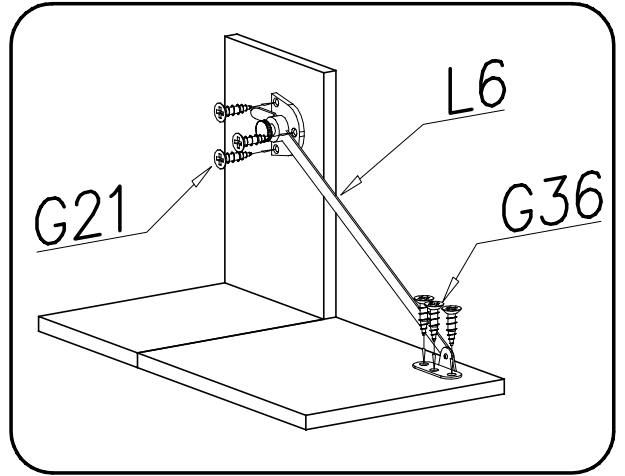
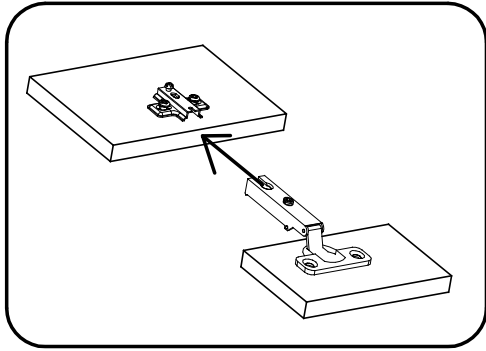


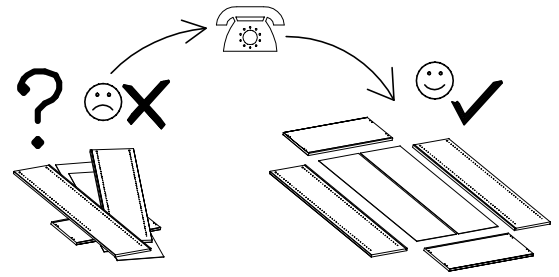
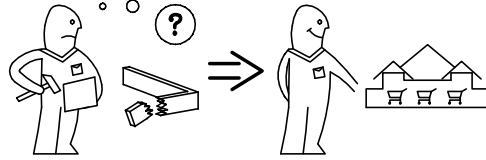
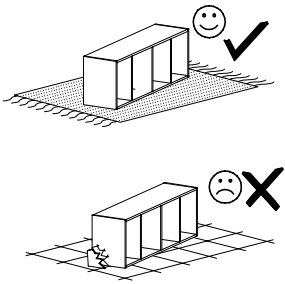
VII



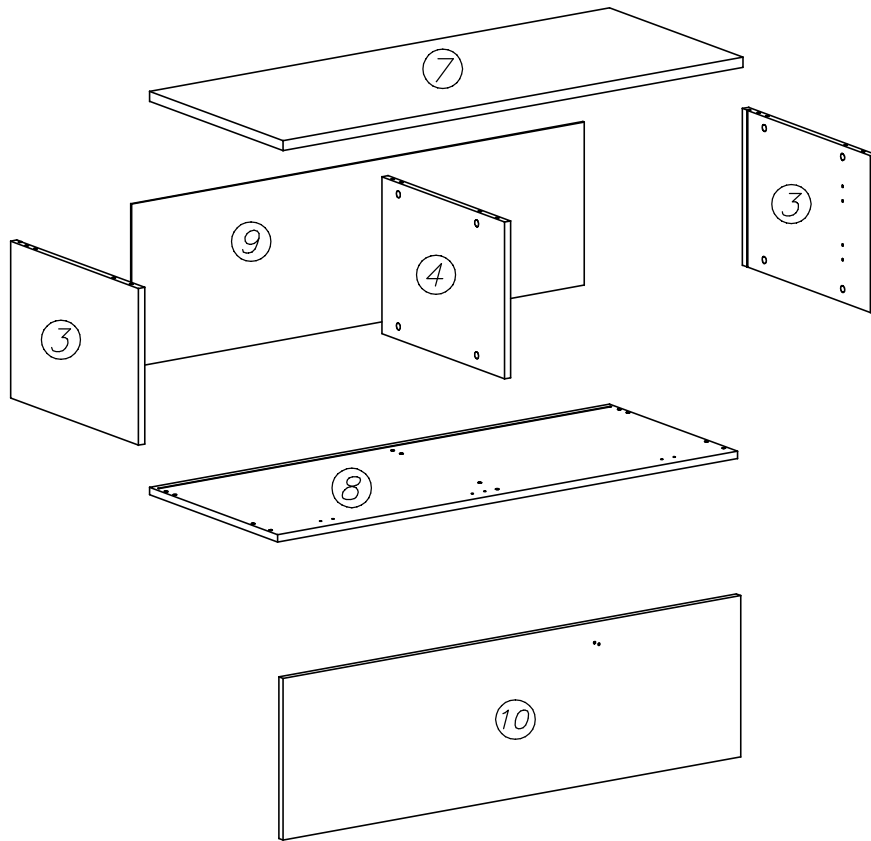


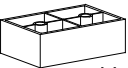
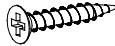
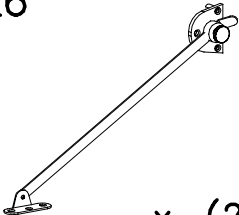

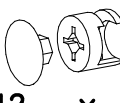
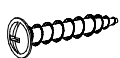
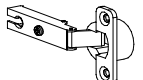
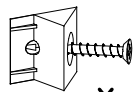

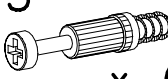

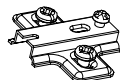
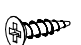
VIII

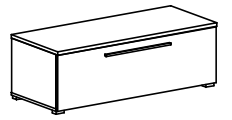




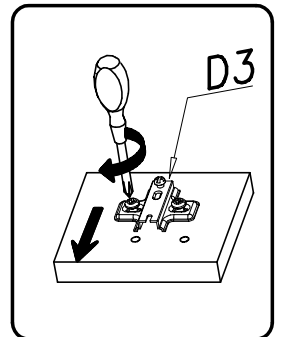
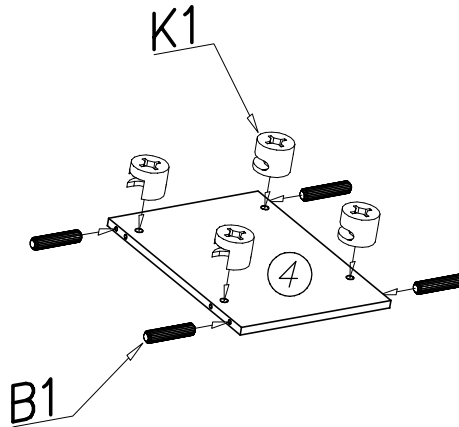
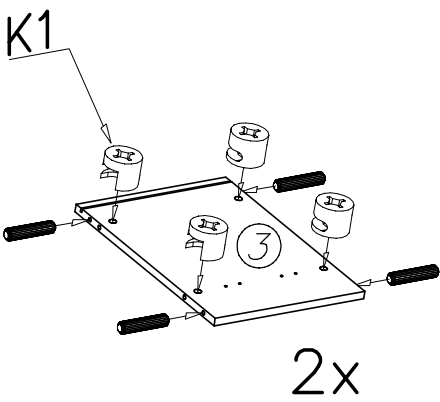
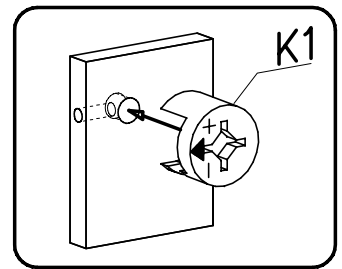
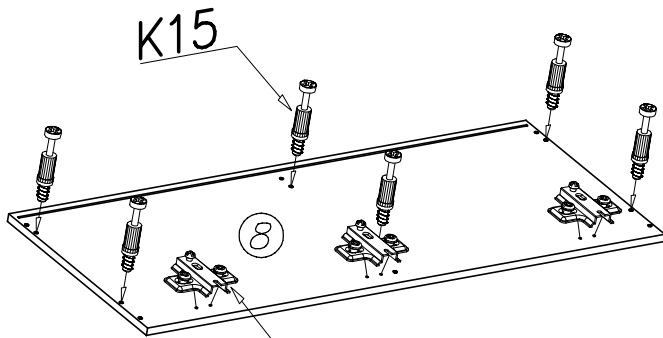
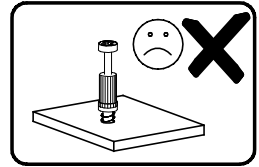
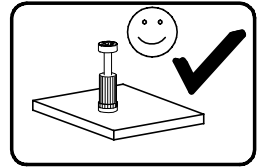
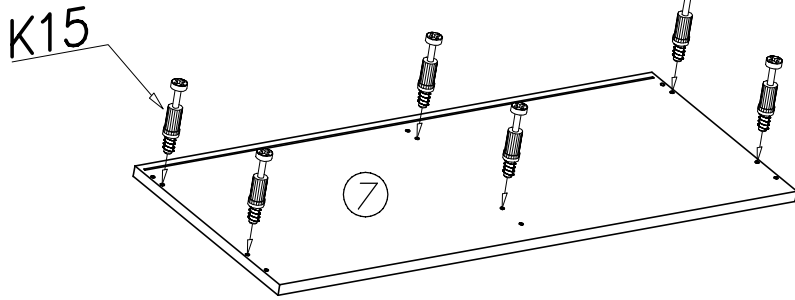
nr	L[mm]	B[mm]	T[mm]	Menge	Colli
7	1183	490	22	1	2/5
8	1183	470	16	1	2/5
3	338	470	16	2	2/5
4	338	450	16	1	2/5
9	1162	350	3	1	2/5
10	1177	348	16	1	2/5



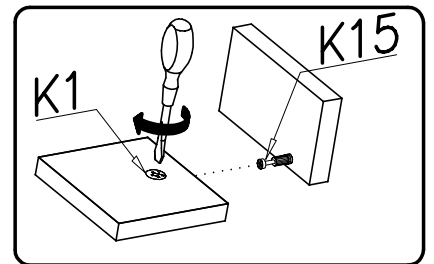
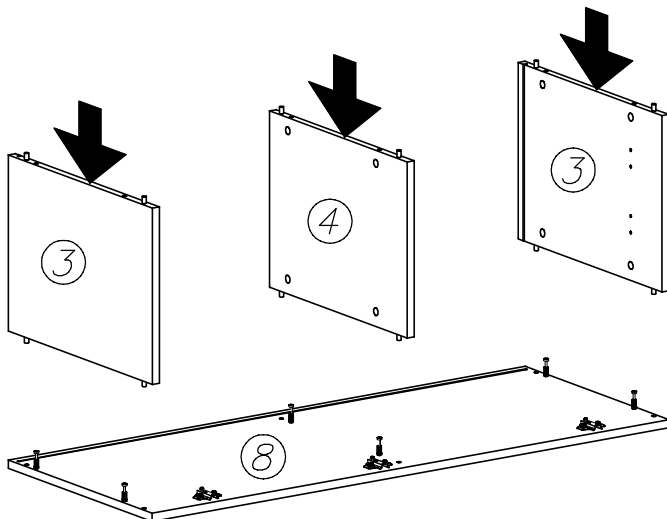
P15  x...(5)	G12  4x25 x...(10)	L6  x...(2)	E60  468mm x...(1)	
K1  ø15x12 x...(12)	G8  4x30 x...(3)	C3  Z35PR x...(3)	I1  x...(10)	G21  3x16 x...(9)
K15  x...(12)	B1  ø8x35 x...(12)	D3  PZ35PR x...(3)	G36  3,5x13 x...(9)	

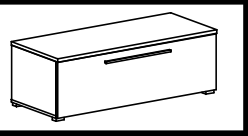


I

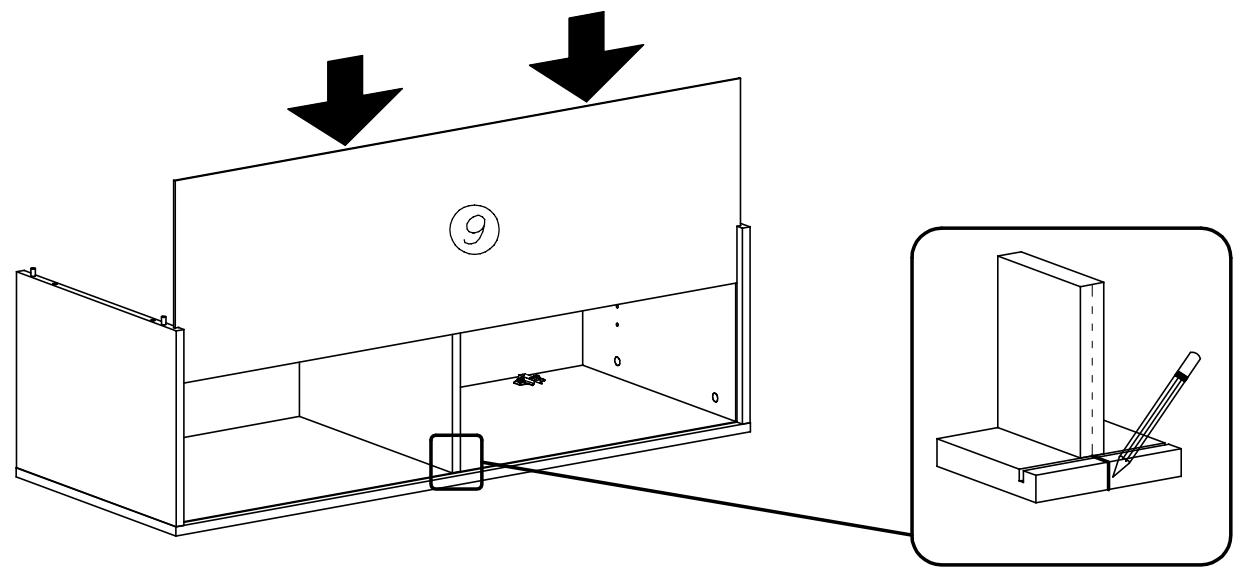


II

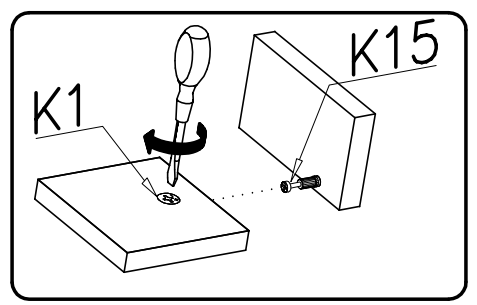
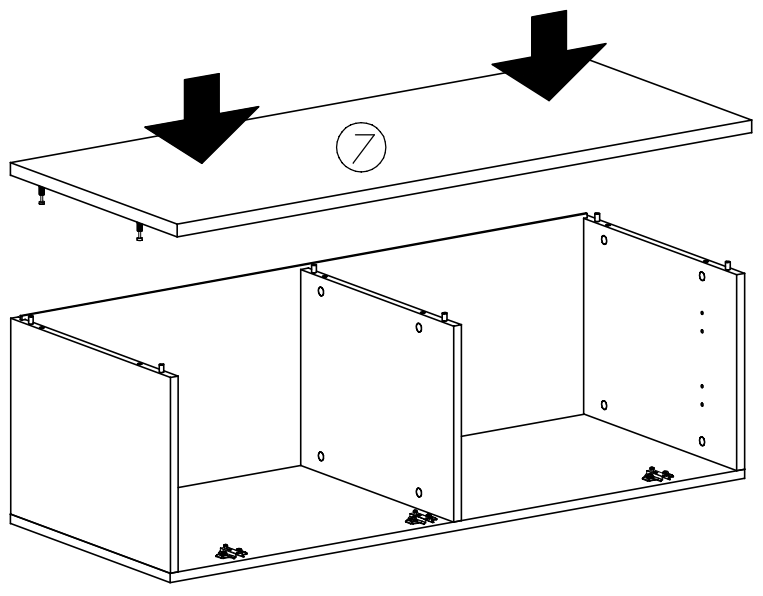


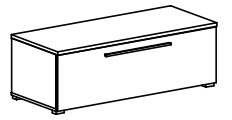


III

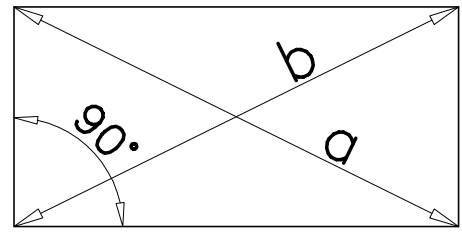
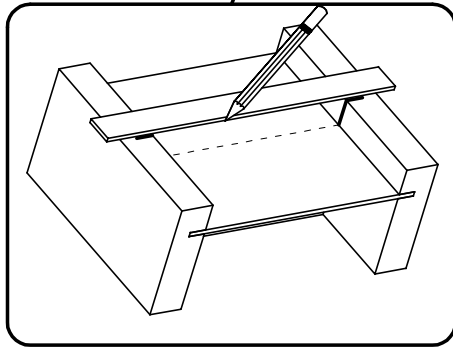
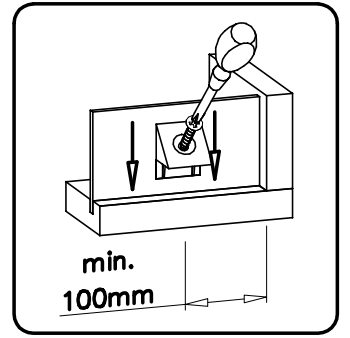
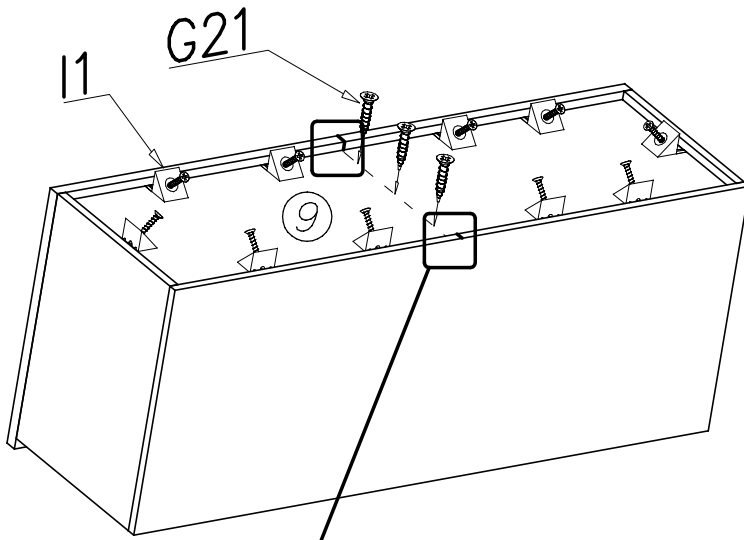


IV



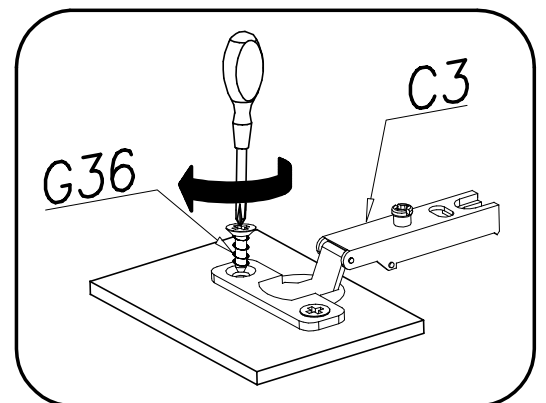
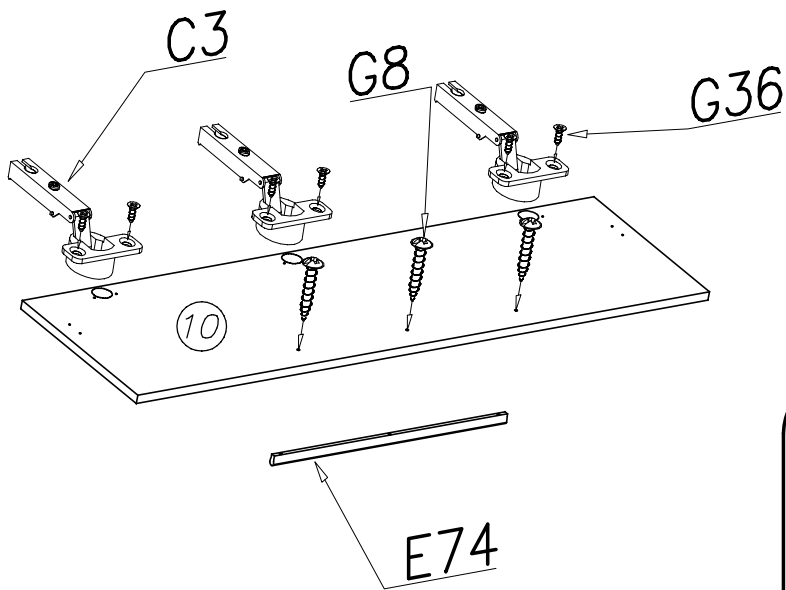


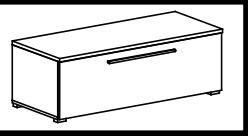
V



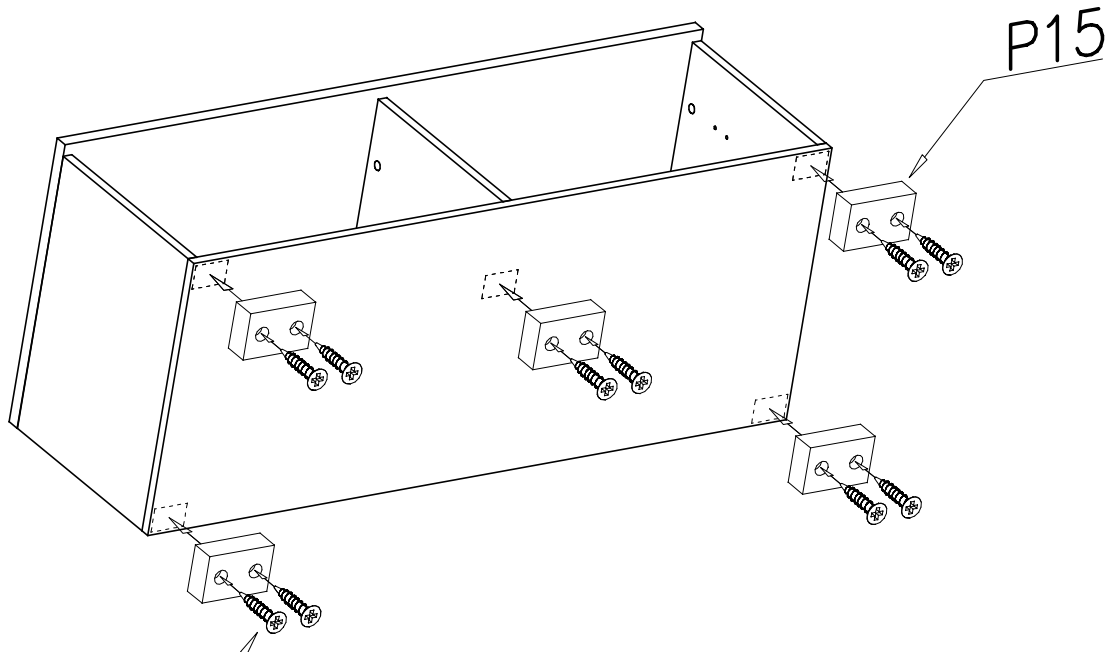
$$a = b$$

VI



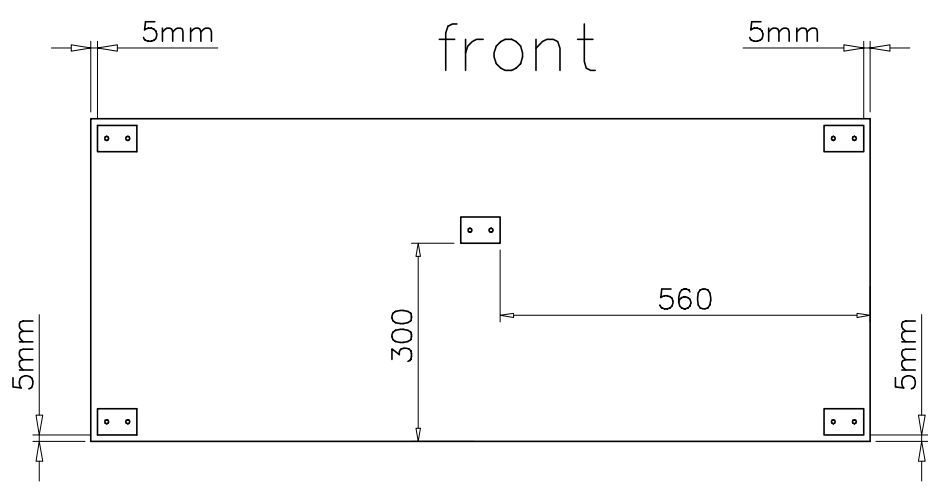
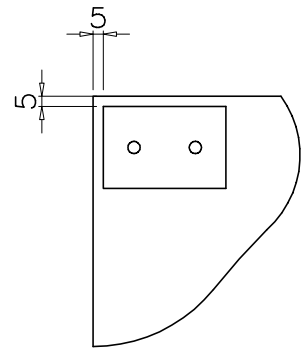


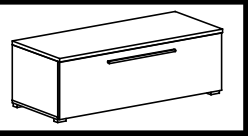
VII



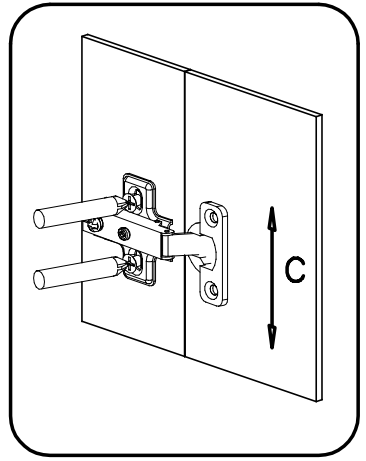
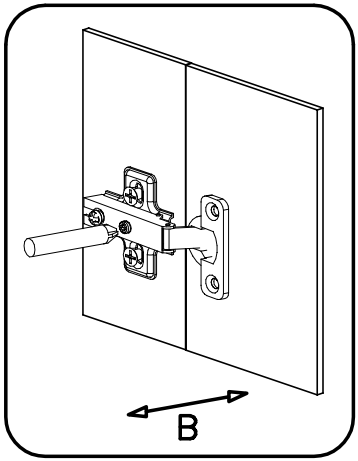
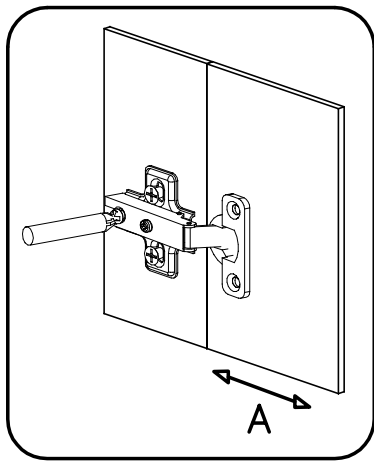
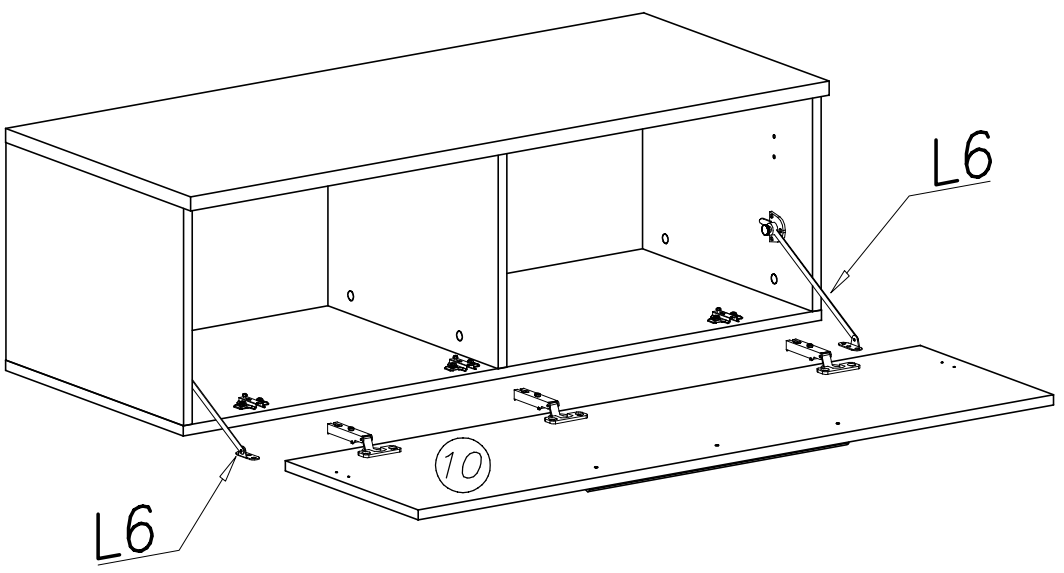
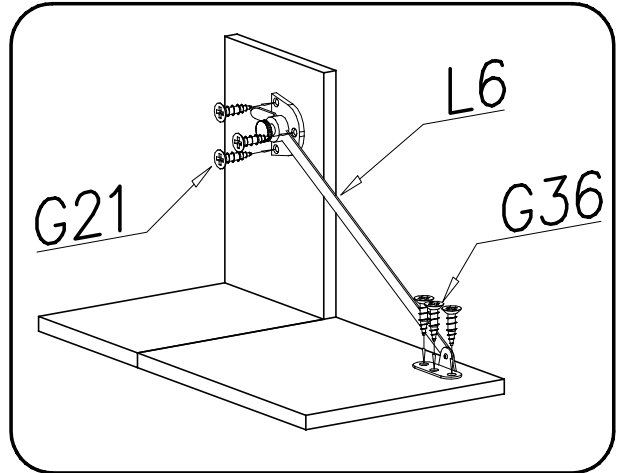
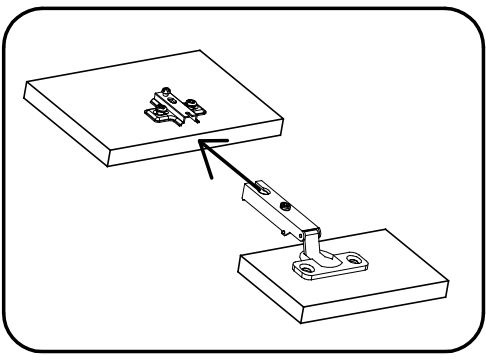
G12

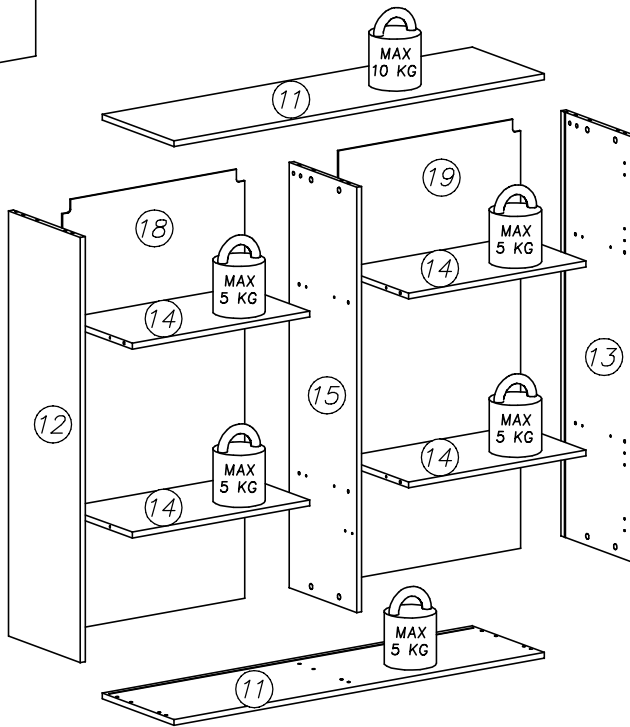
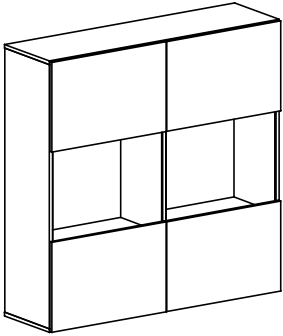
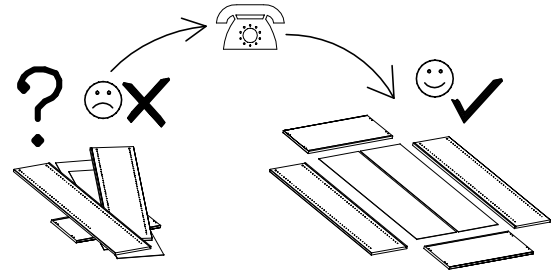
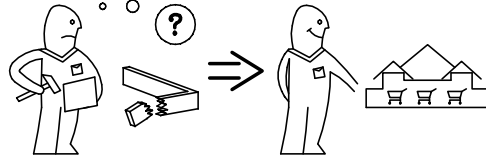
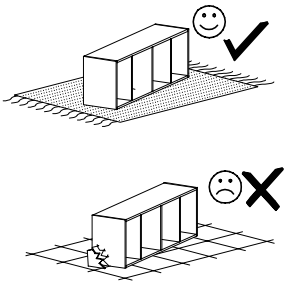
P15



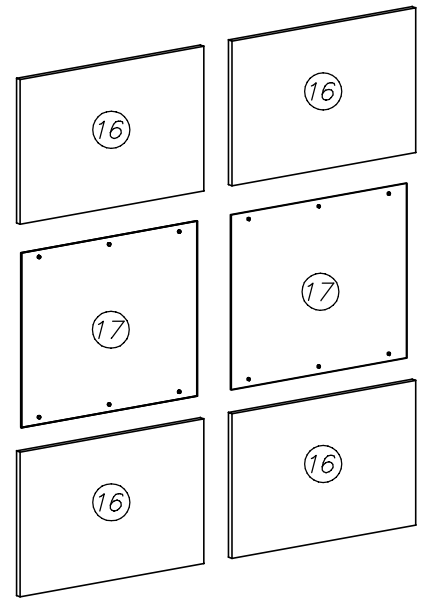


VIII

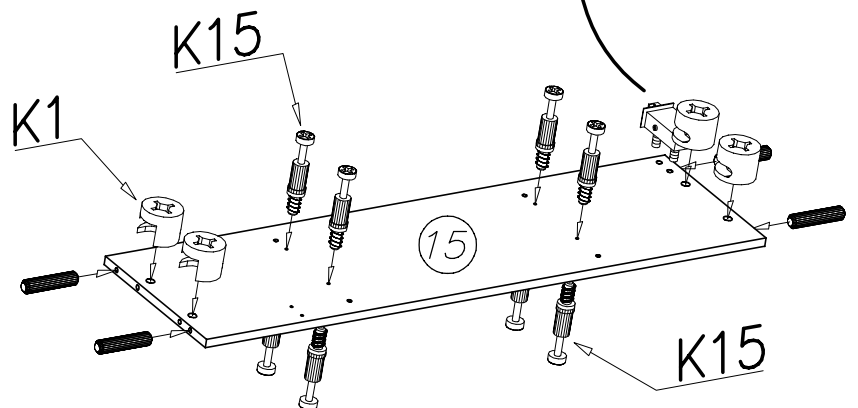
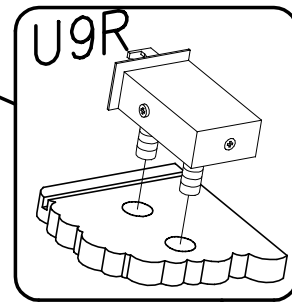
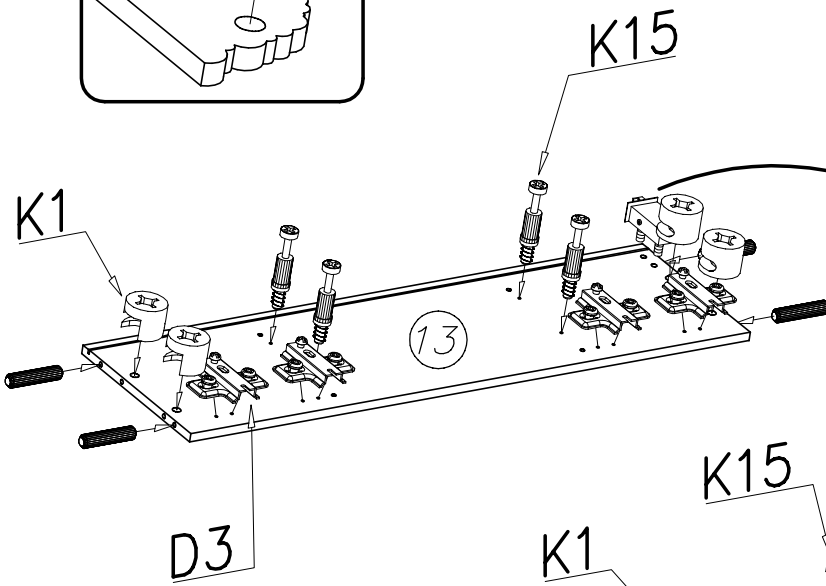
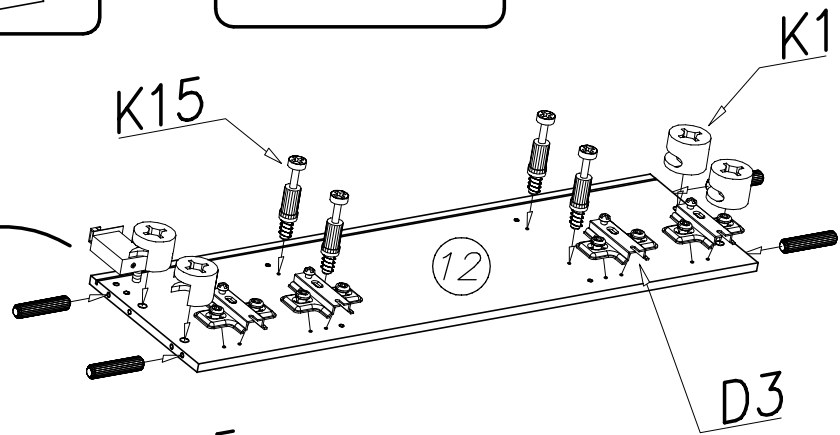
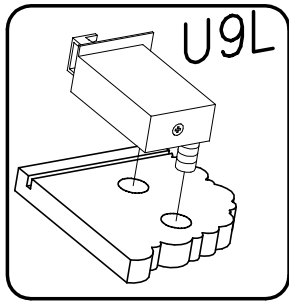
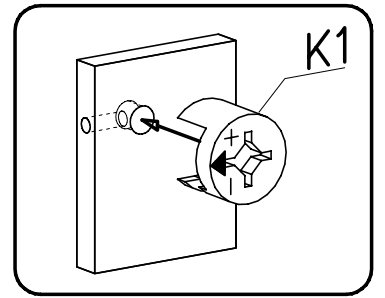
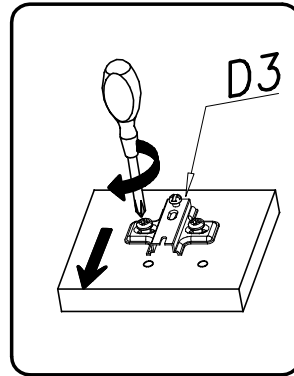
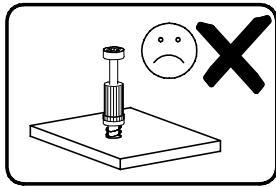
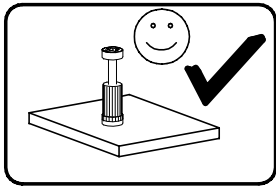
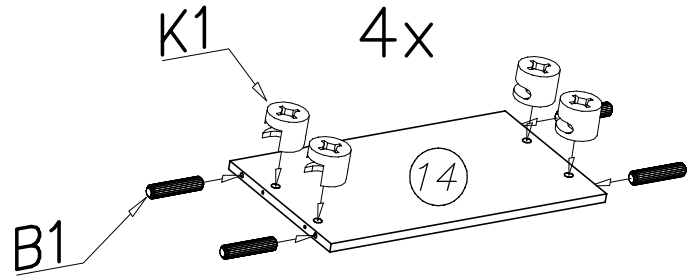
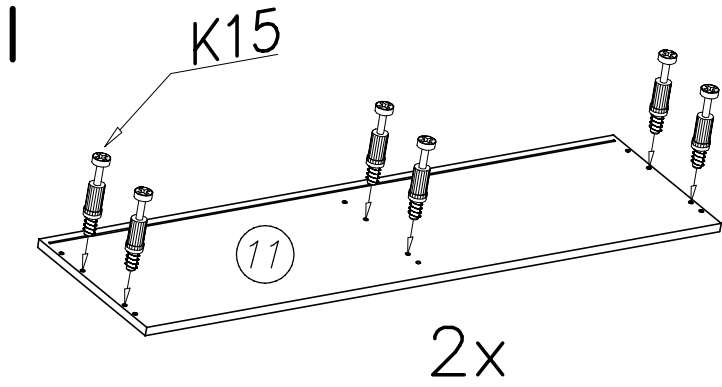
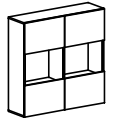


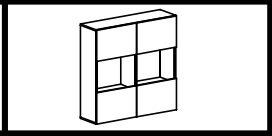


nr	L[mm]	B[mm]	T[mm]	Menge	Colli
11	1183	328	16	2	4/5
12	1152	328	16	1	4/5
13	1152	328	16	1	4/5
14	567	308	16	4	5/5
15	1152	308	16	1	5/5
16	587	392	16	4	5/5
17	562	474	4	2	5/5
18	1164	581	3	1	5/5
19	1164	581	3	1	5/5

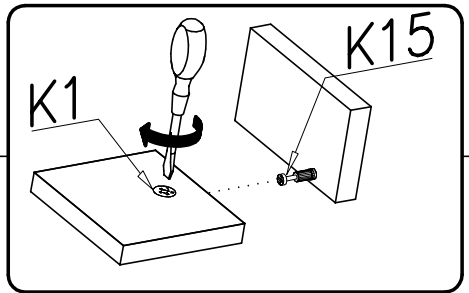
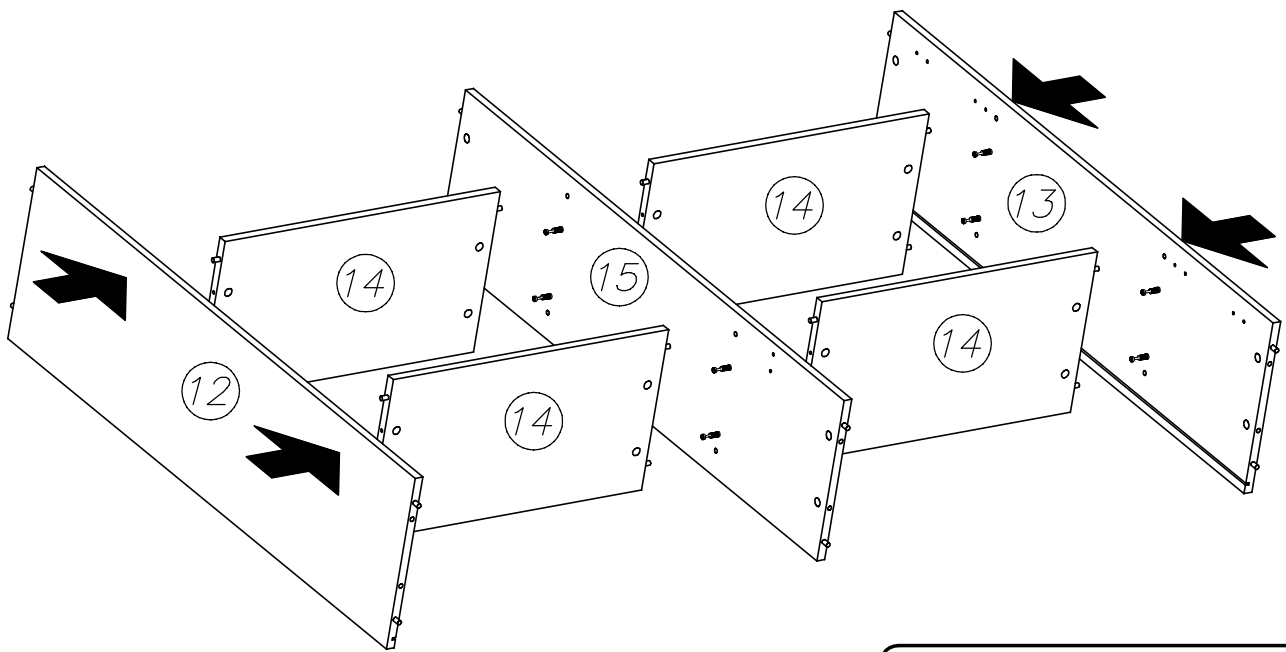


L11 x...(2)	G46 6x8 x...(4)	S2 x...(10)	U7 x...(3)	U8 ø10x60 x...(3)
G21 3x16 x...(26)	G36 3,5x13 x...(16)	U10L x...(1)	U10R x...(2)	U9L x...(1)
K1 ø15x12 x...(28)	I3 x...(12)	G22 3,5x16 x...(12)	I1 x...(16)	U9R x...(2)
K15 x...(28)	B1 ø8x35 x...(28)	C3 Z35PR x...(8)	D3 PZ35PR x...(8)	I7 x...(28)

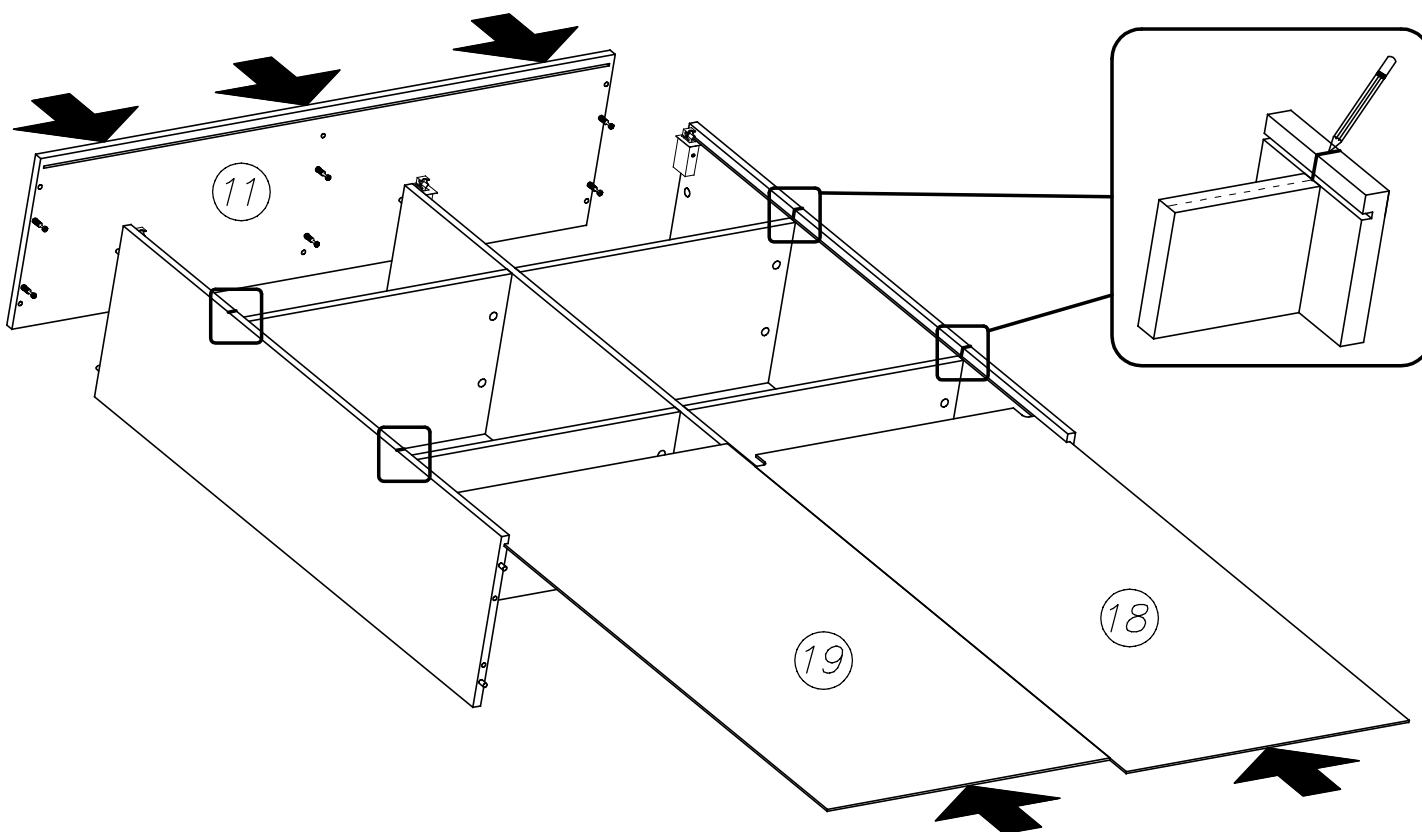


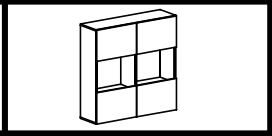


II

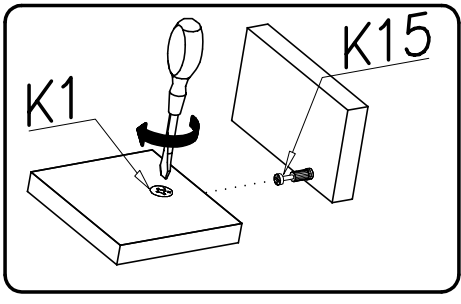
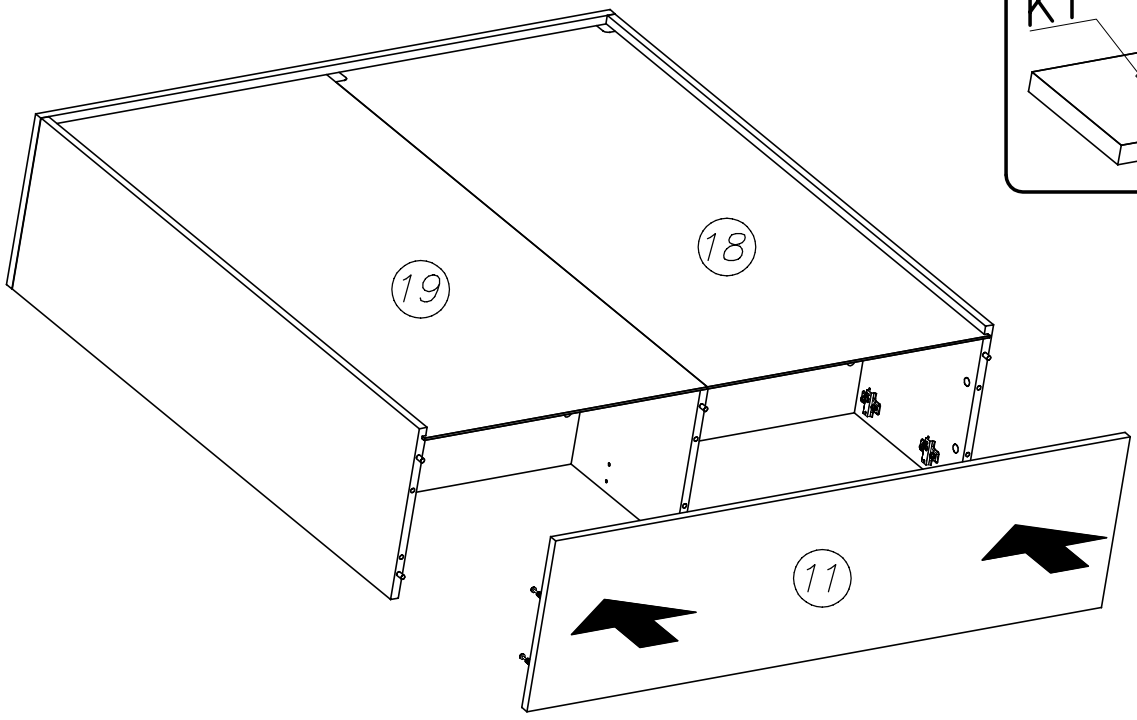


III

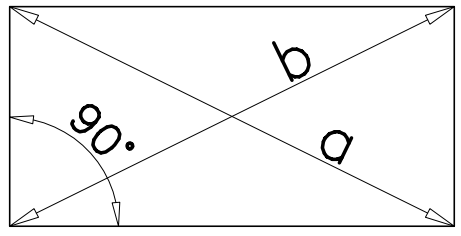
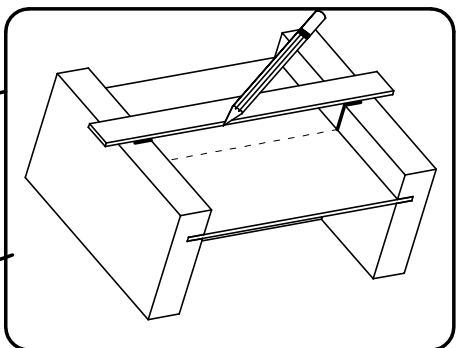
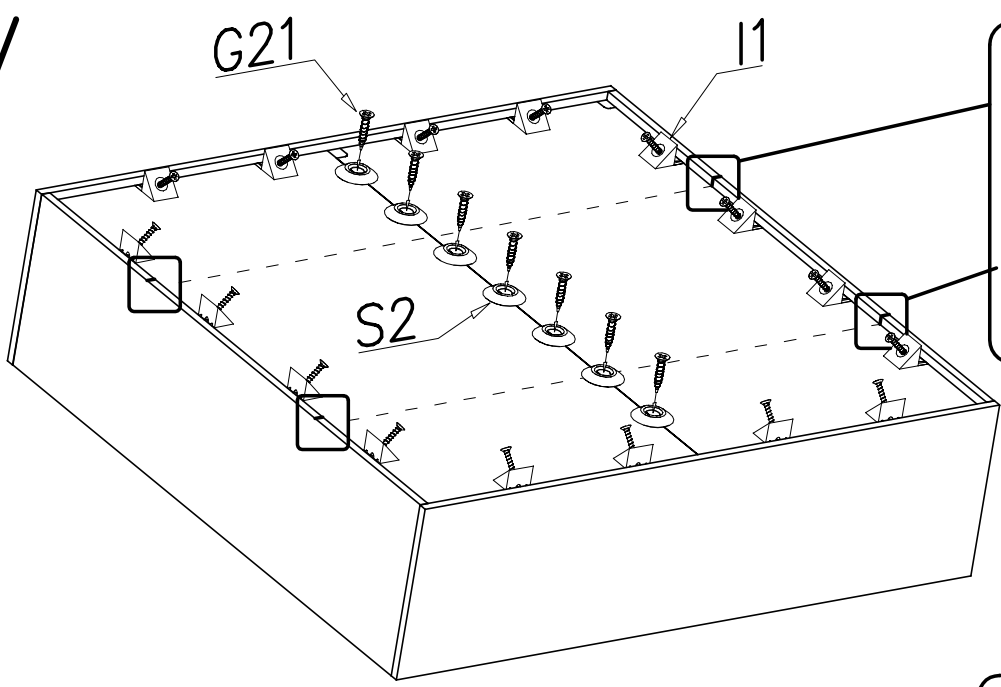




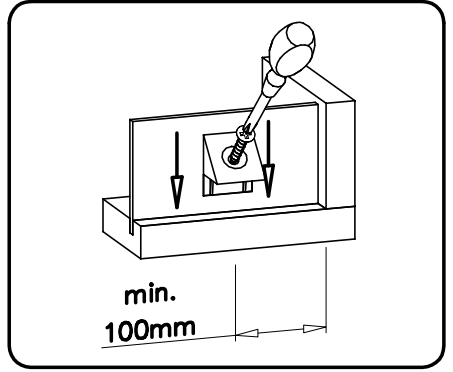
IV

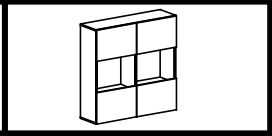


V

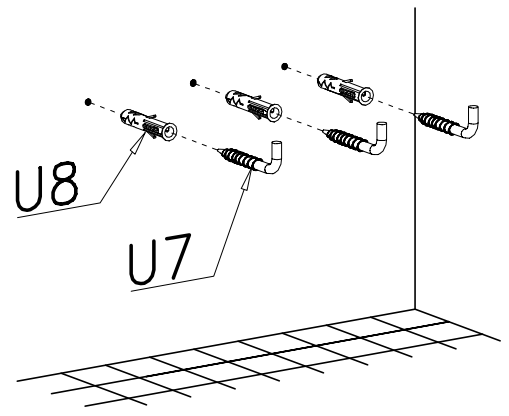
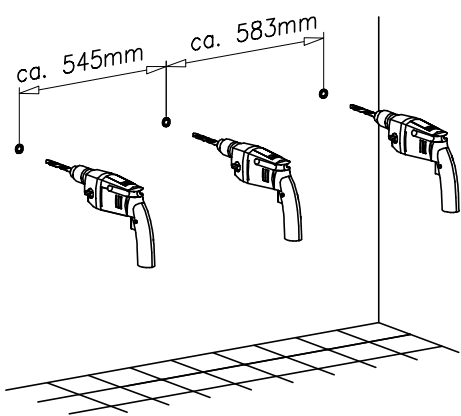


$$a = b$$

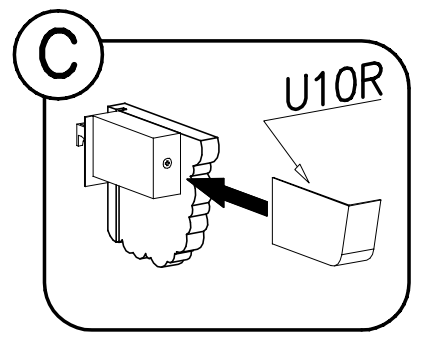
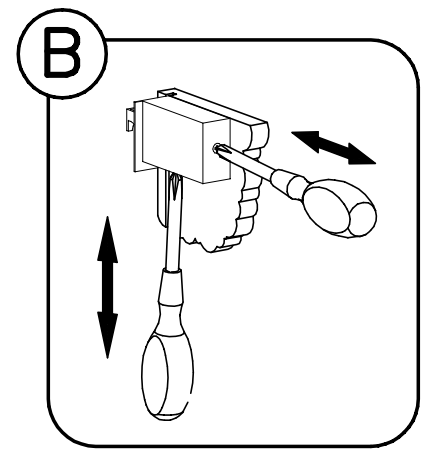
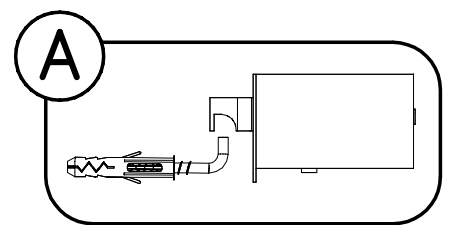
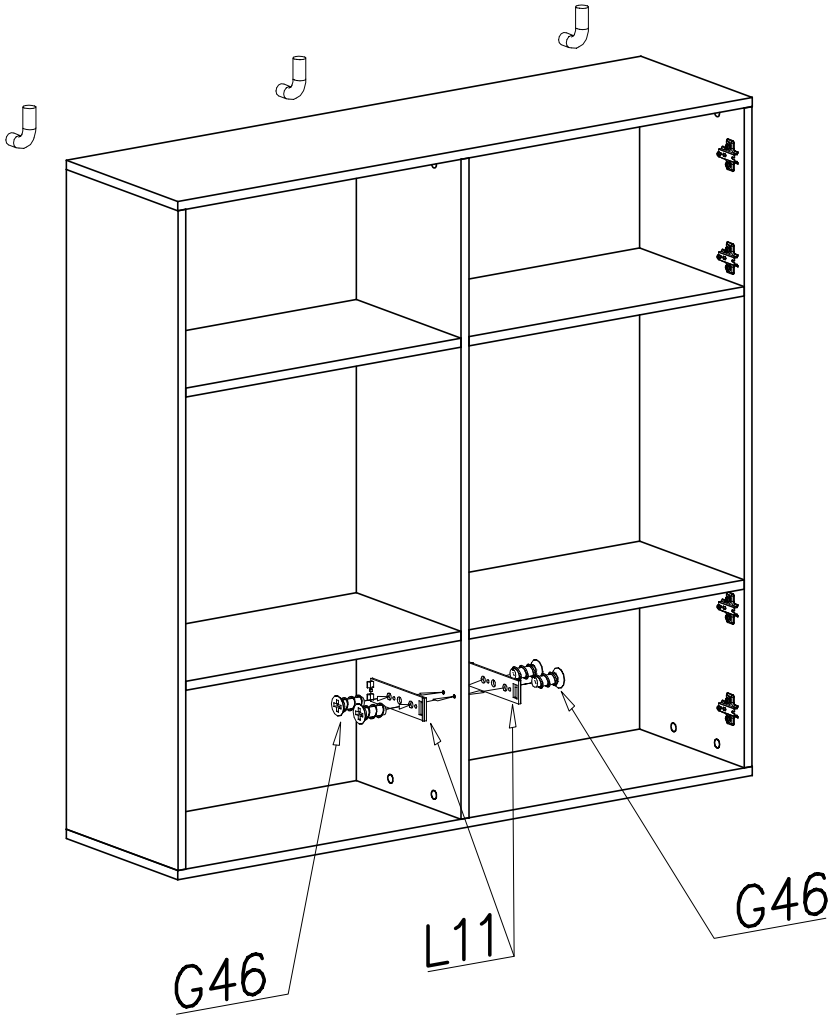


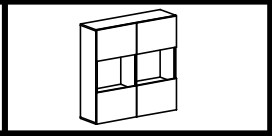


VI

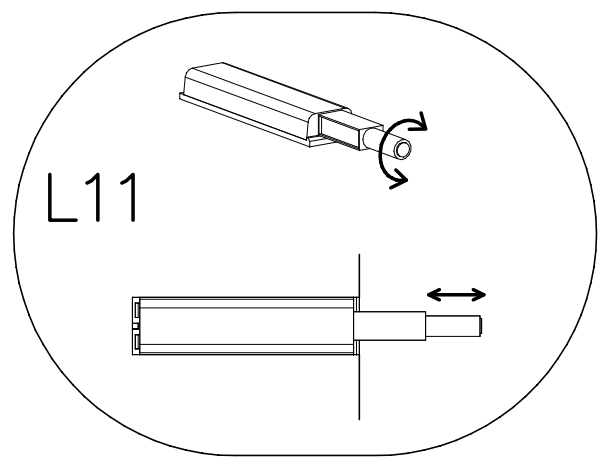
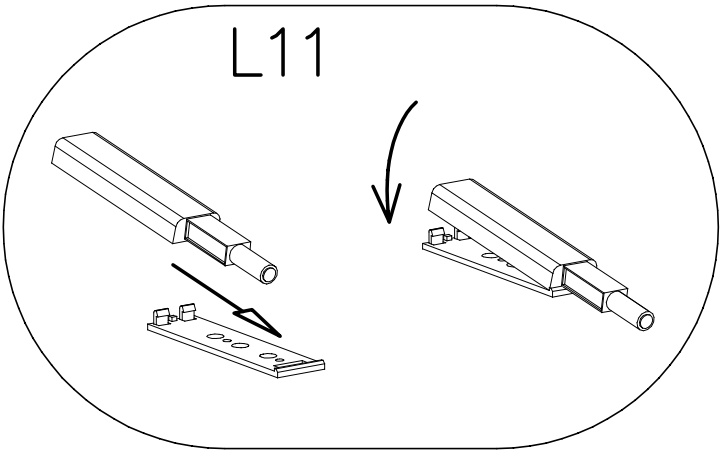
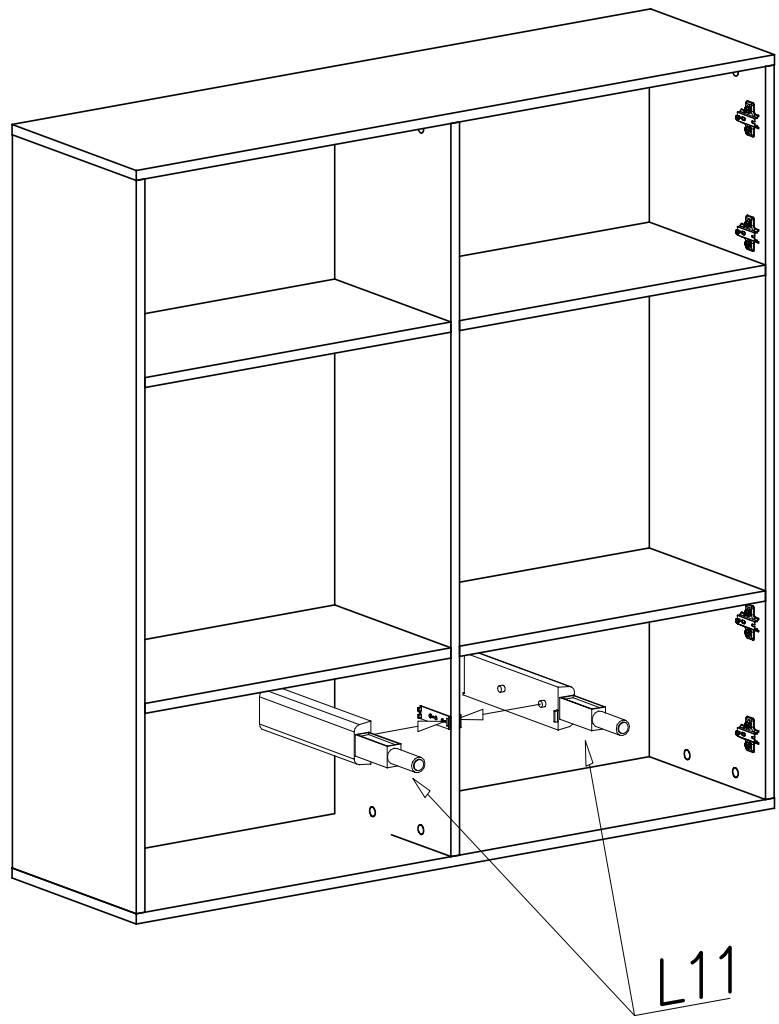


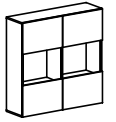
VII



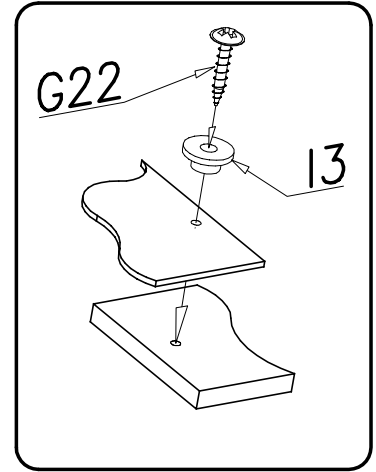
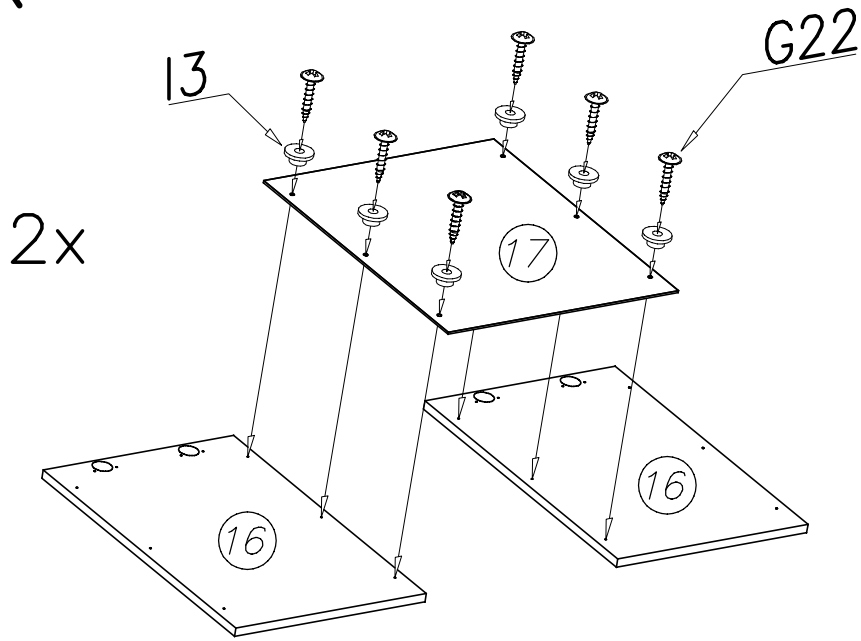


VIII

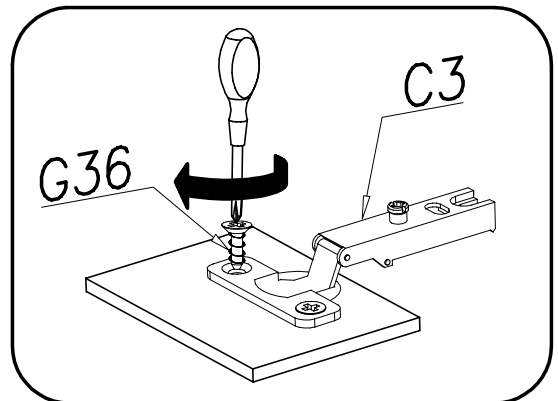
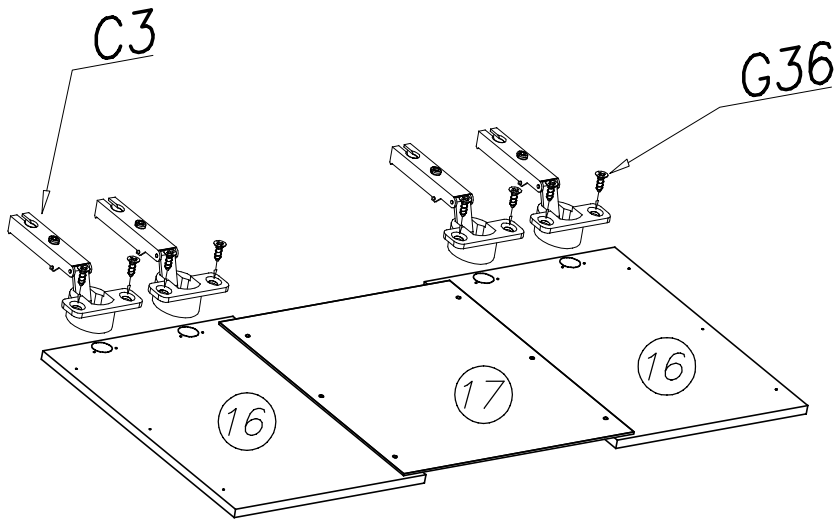


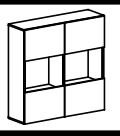


IX

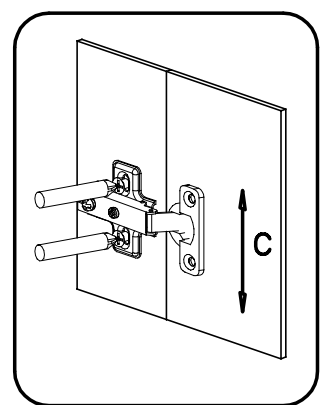
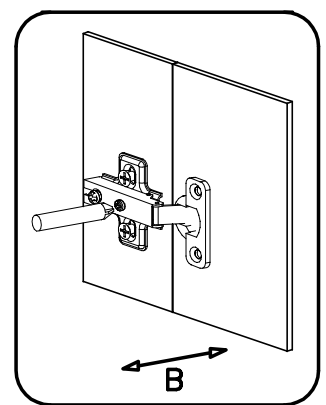
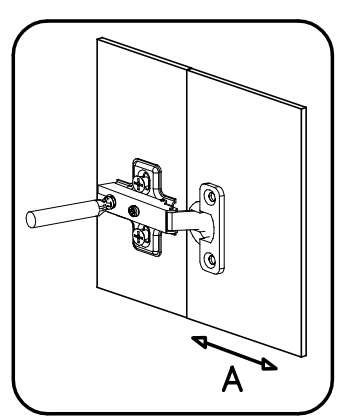
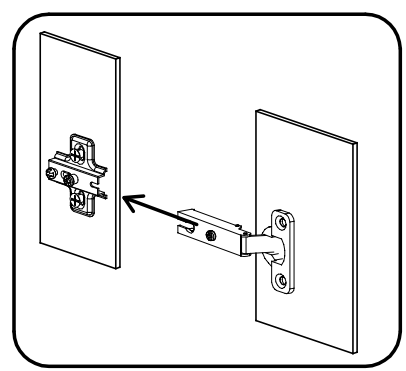
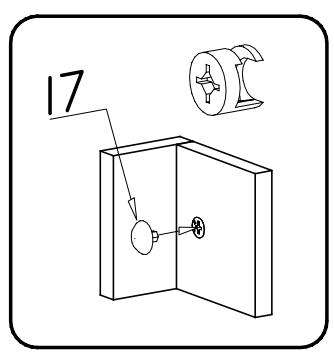
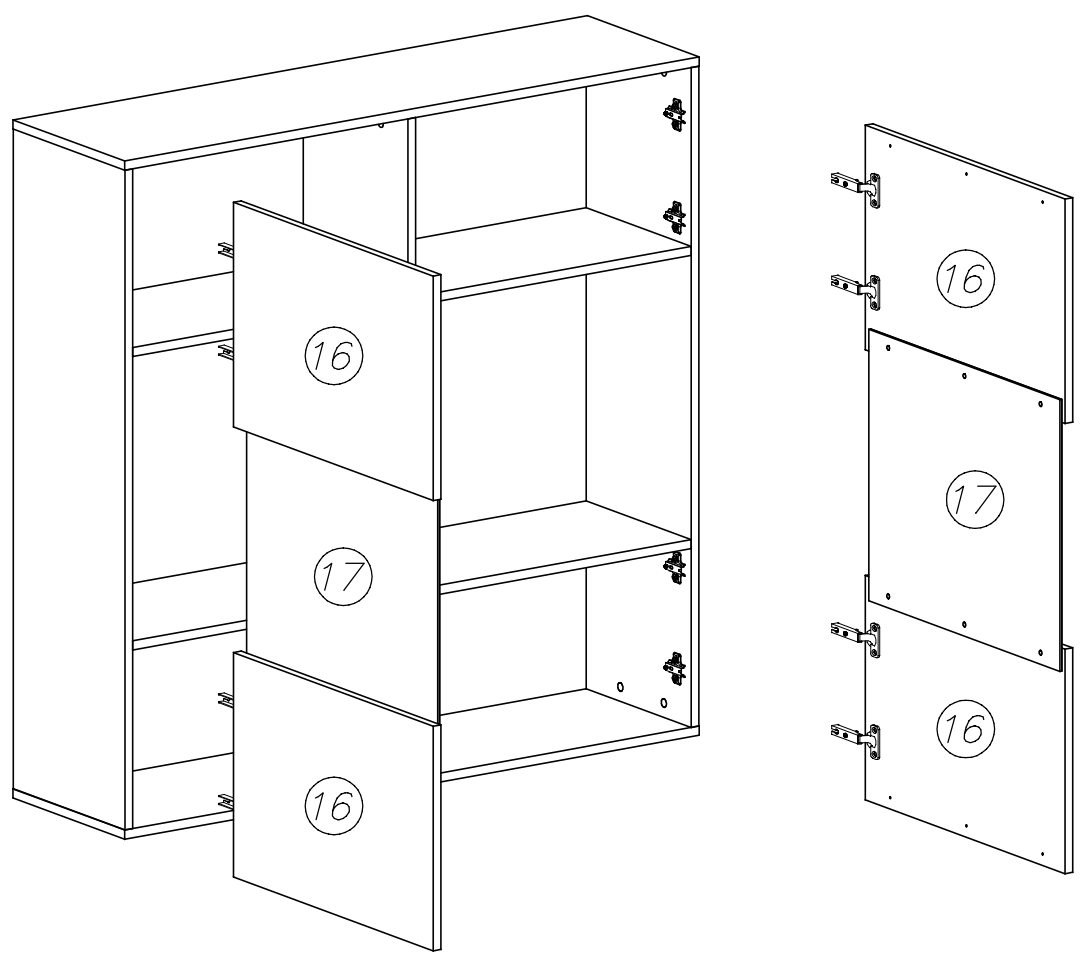


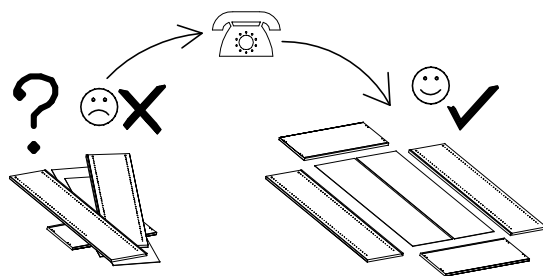
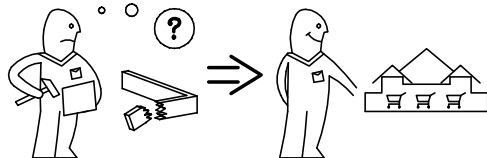
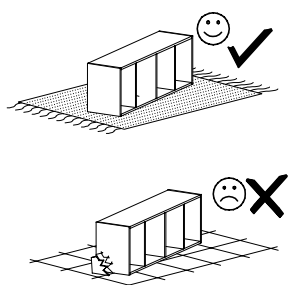
X



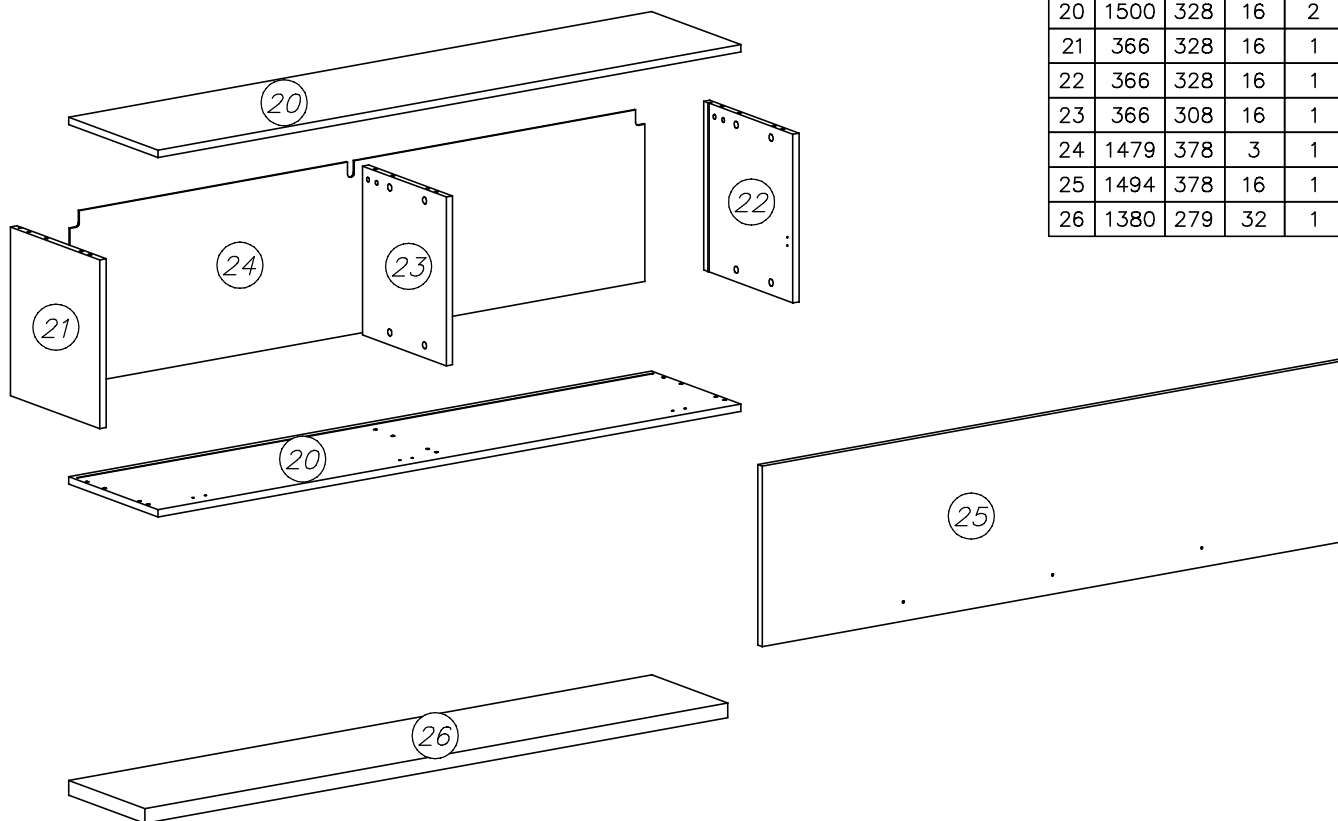


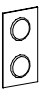
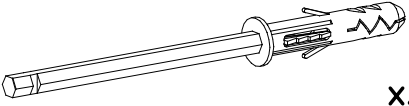

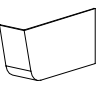
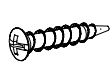

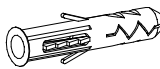
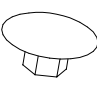
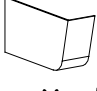
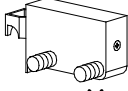
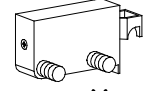



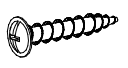
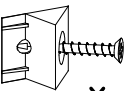
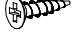
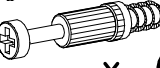

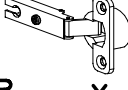


XI

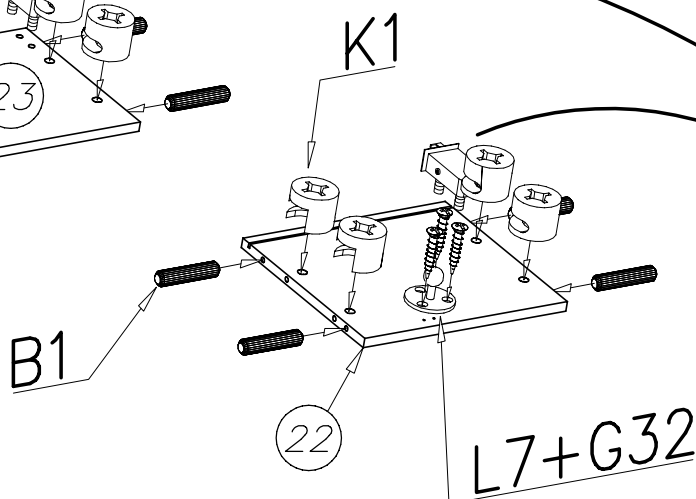
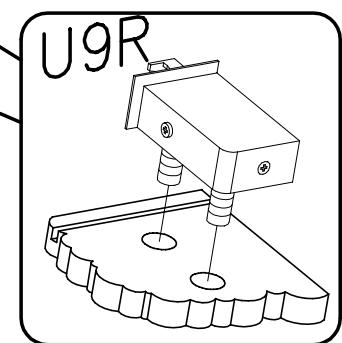
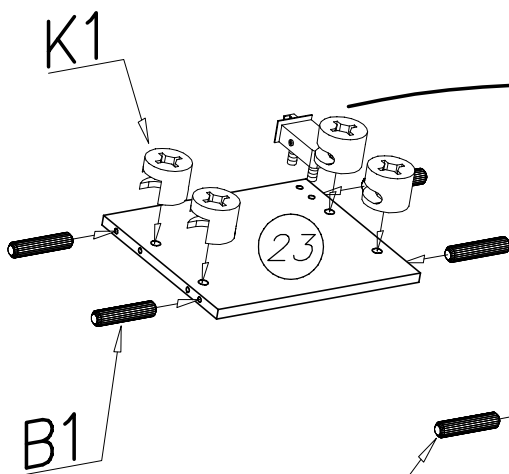
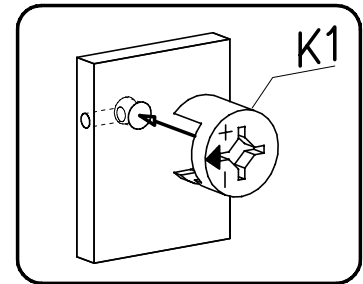
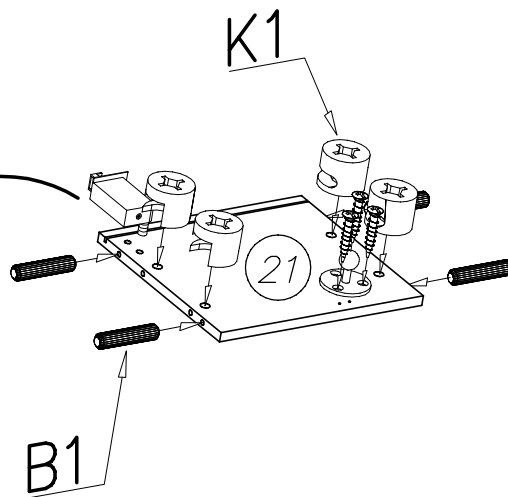
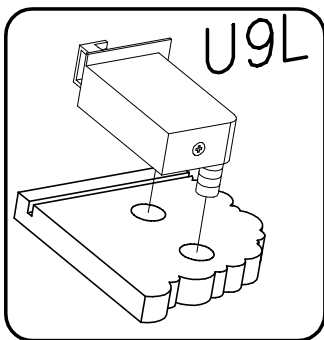
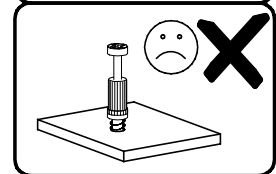
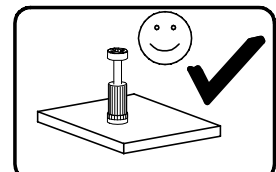
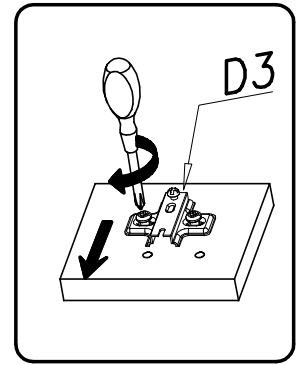
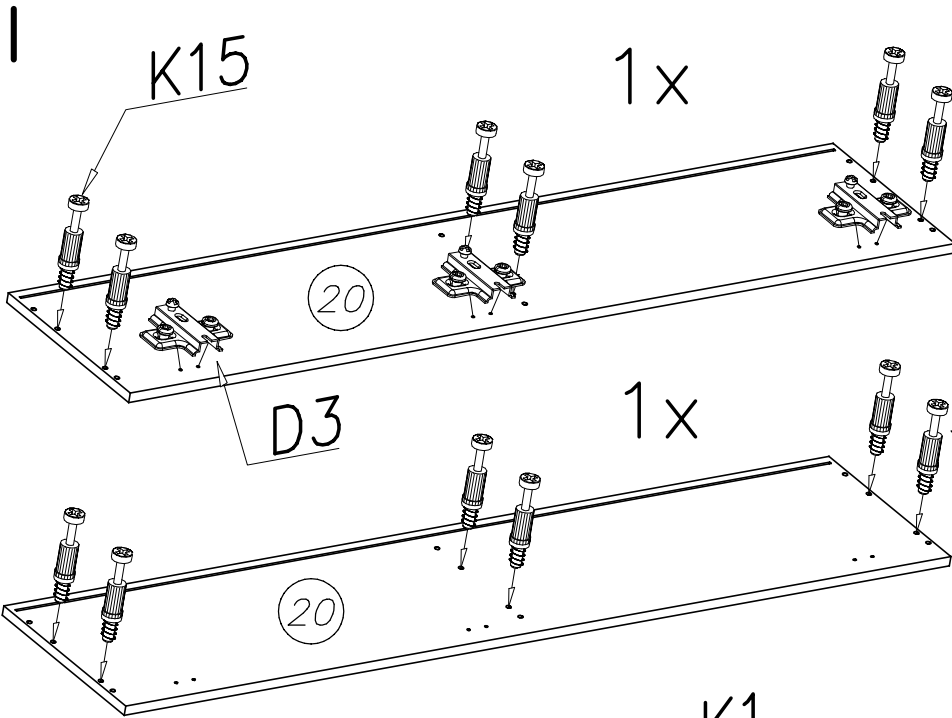
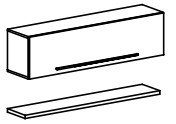


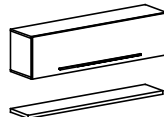


nr	L[mm]	B[mm]	T[mm]	Menge	Colli
20	1500	328	16	2	3/5
21	366	328	16	1	3/5
22	366	328	16	1	3/5
23	366	308	16	1	3/5
24	1479	378	3	1	3/5
25	1494	378	16	1	3/5
26	1380	279	32	1	3/5

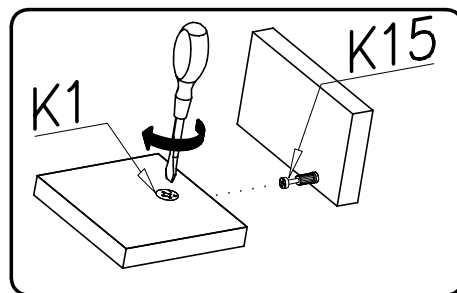
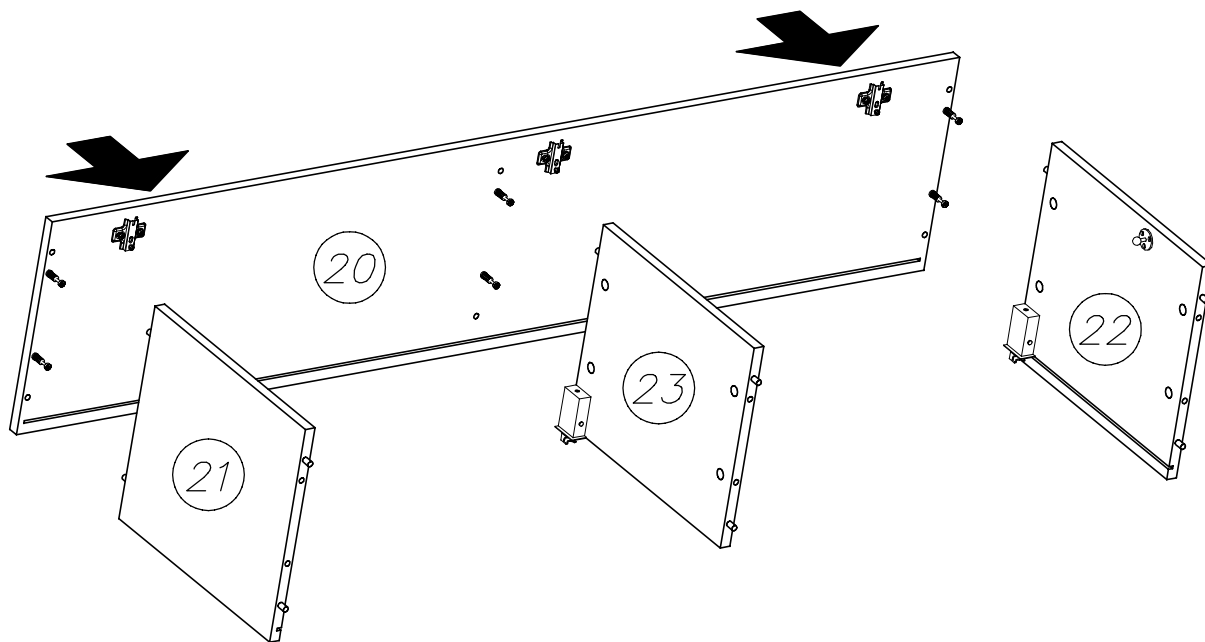


W3  x...(2)	U19  x...(3)	I4  ø5 x...(6)		
U10L  x...(1)	G32  3,5x16 x...(10)	U7  x...(3)	U8  ø10x60 x...(3)	I7  x...(12)
U10R  x...(2)	U9L  x...(1)	U9R  x...(2)	L7  80N x...(2)	G21  3x16 x...(3)
K1  ø15x12 x...(12)	G8  4x30 x...(3)	I1  x...(10)	G36  3,5x13 x...(6)	
K15  x...(12)	B1  ø8x35 x...(12)	C3  Z35PR x...(3)	D3  PZ35PR x...(3)	E74  900mm x...(1)

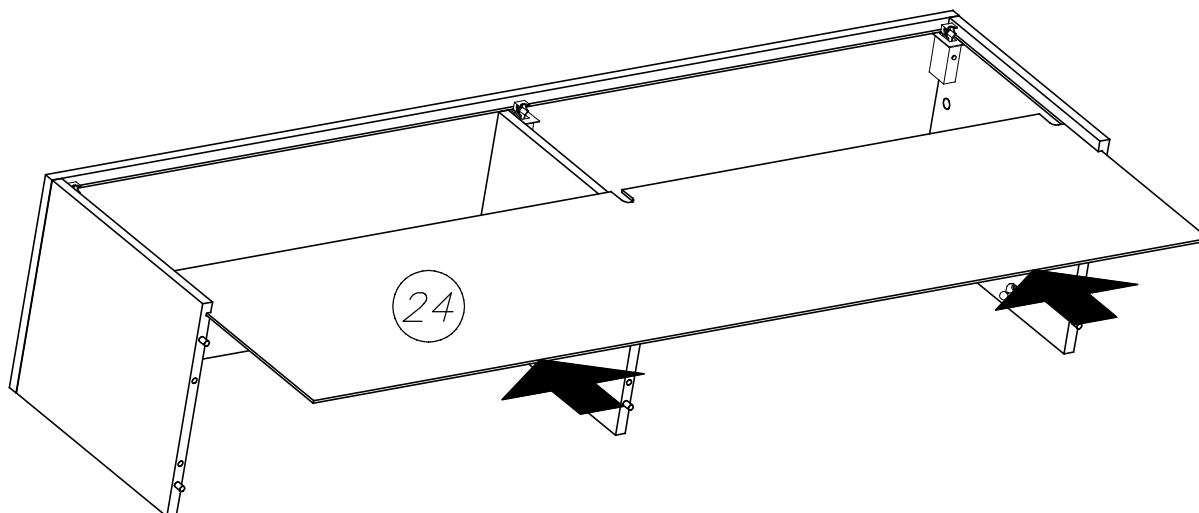


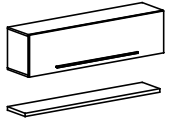


II

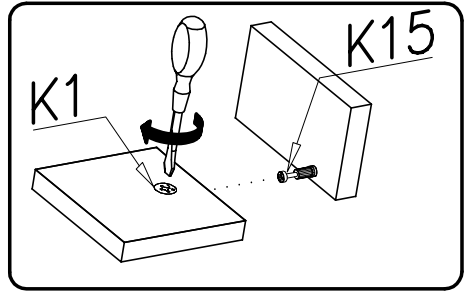
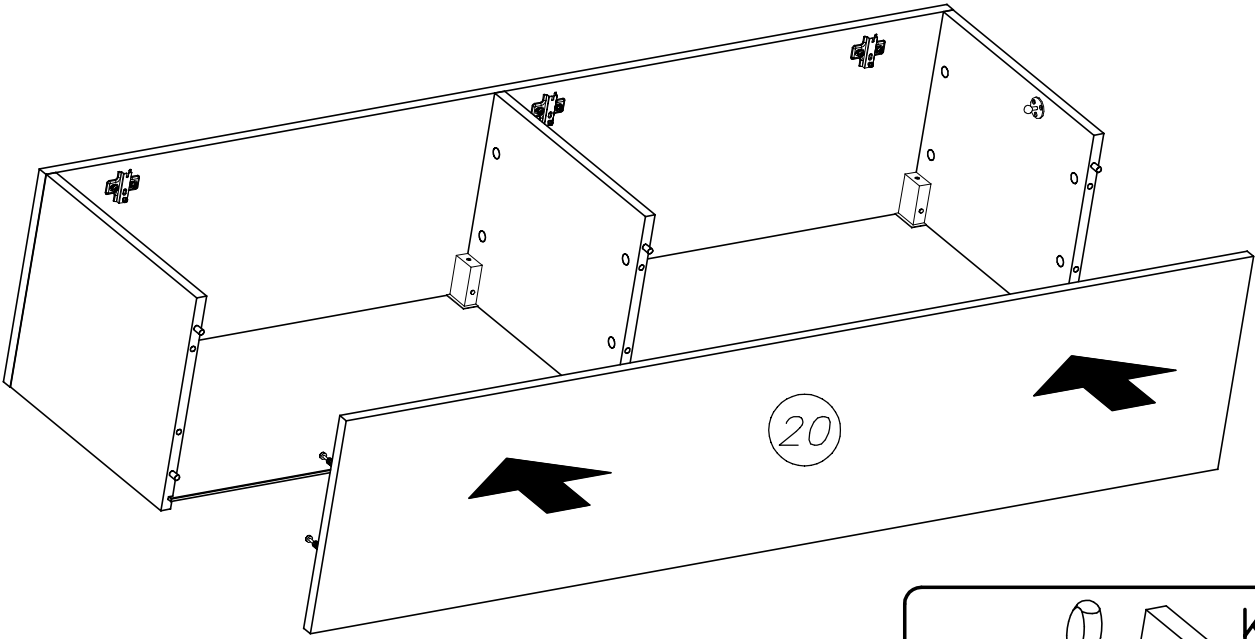


III

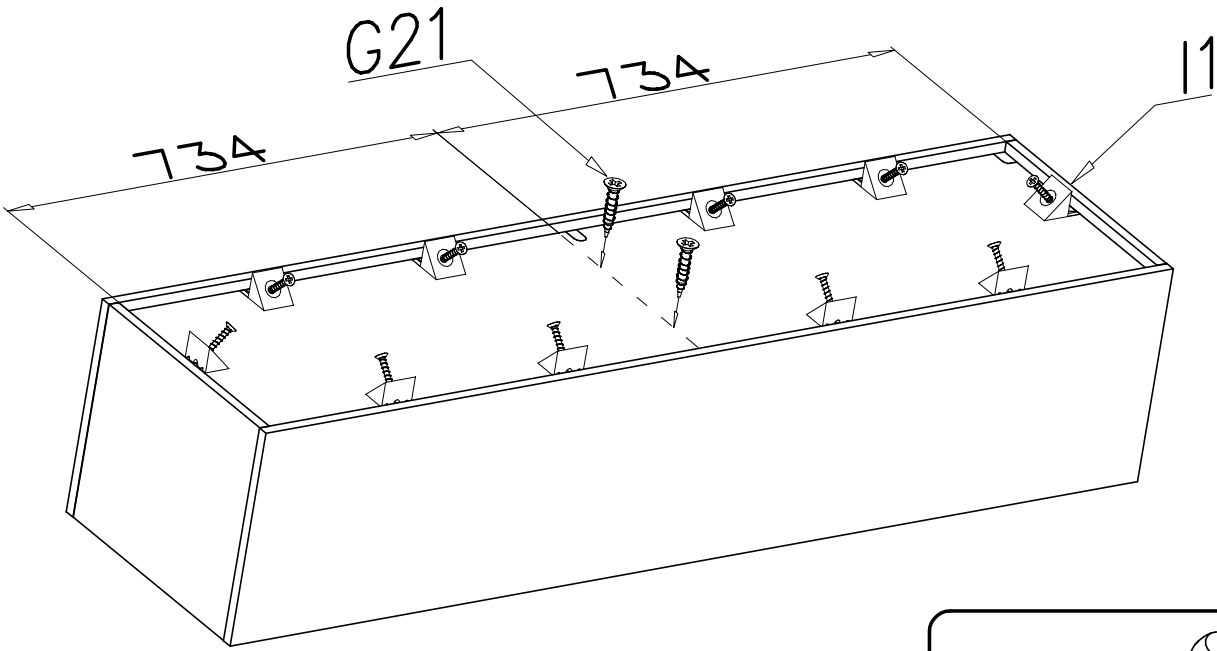




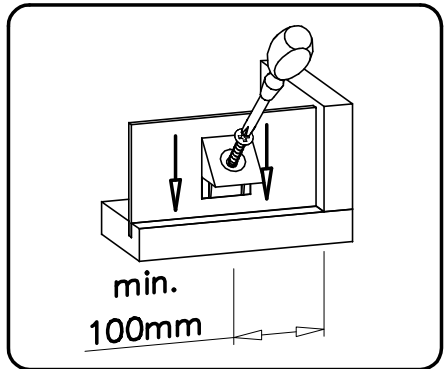
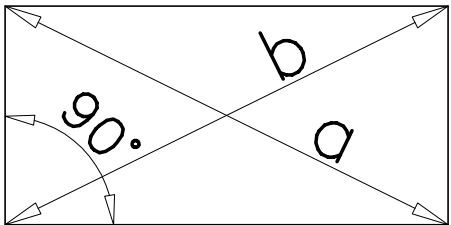
IV

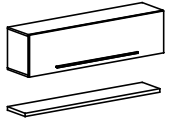


V

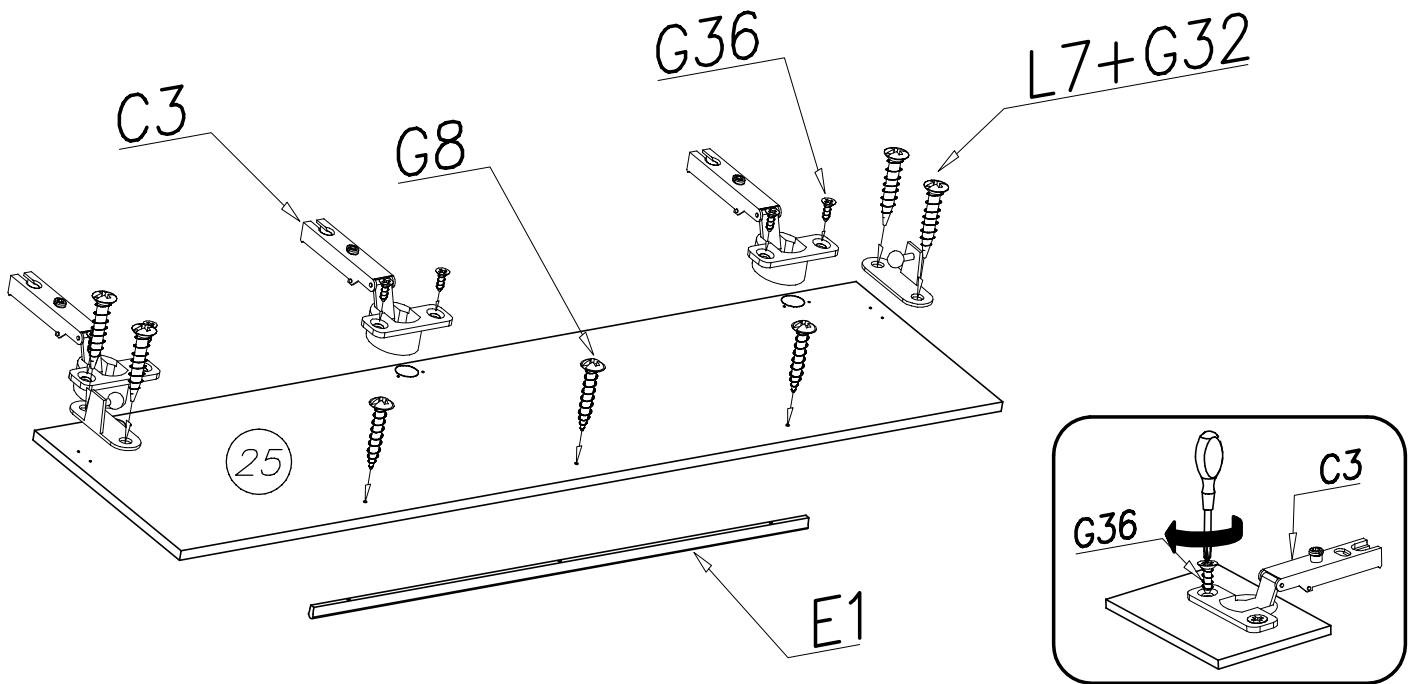


$a = b$

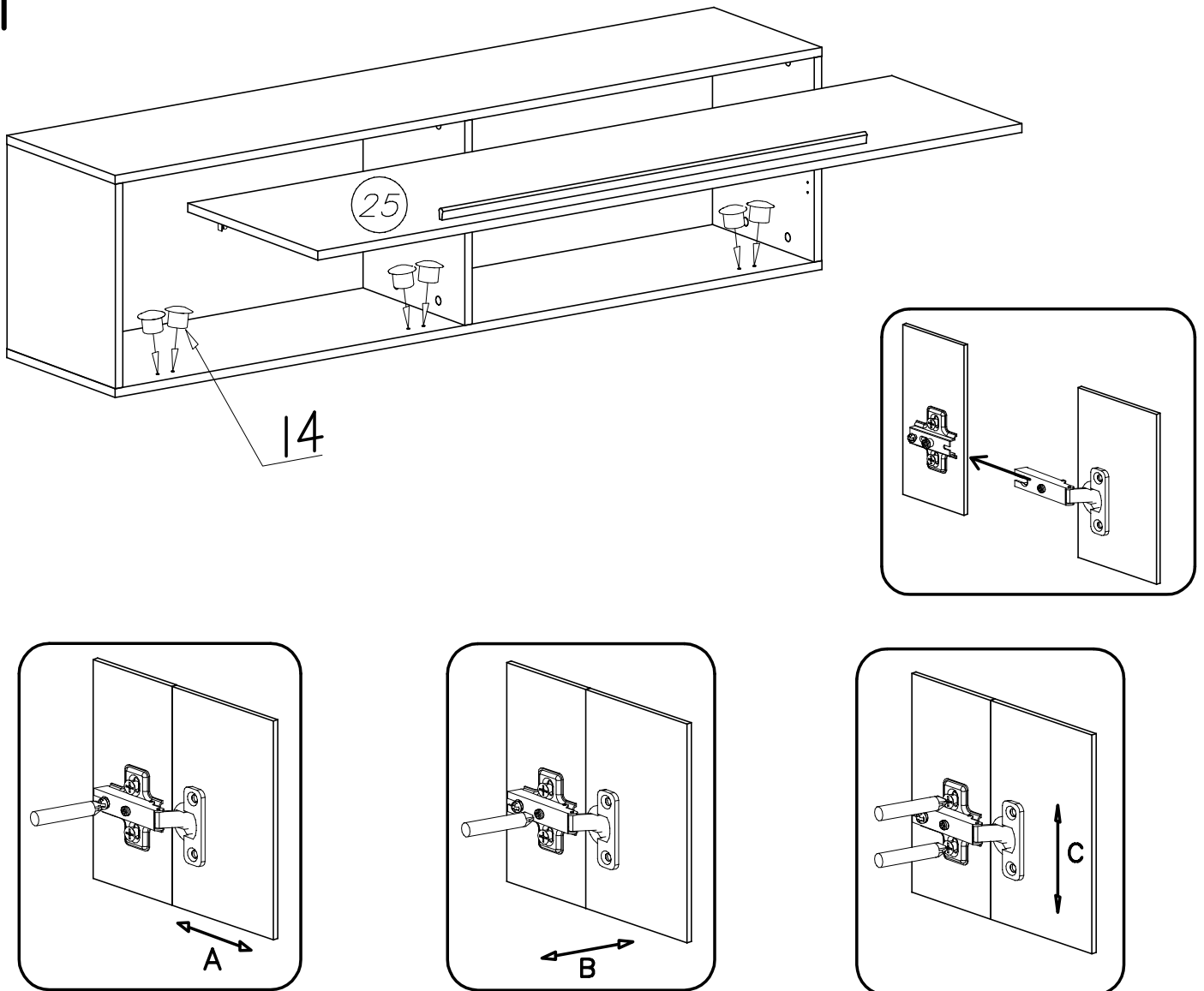


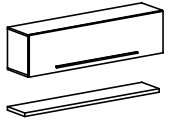


VI

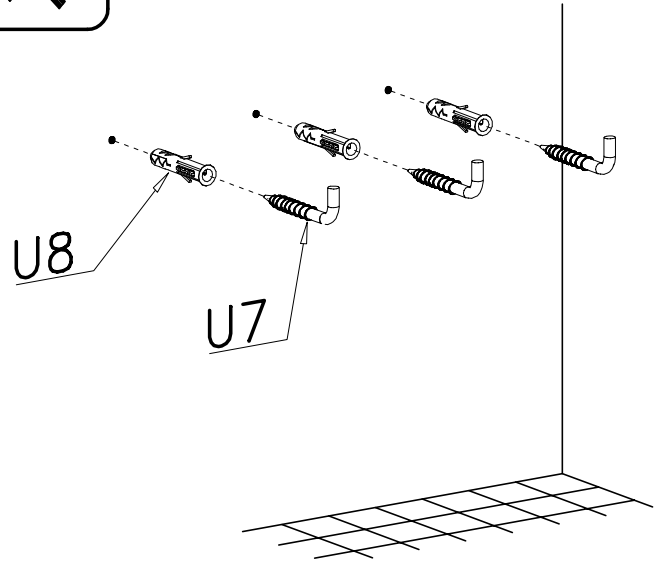
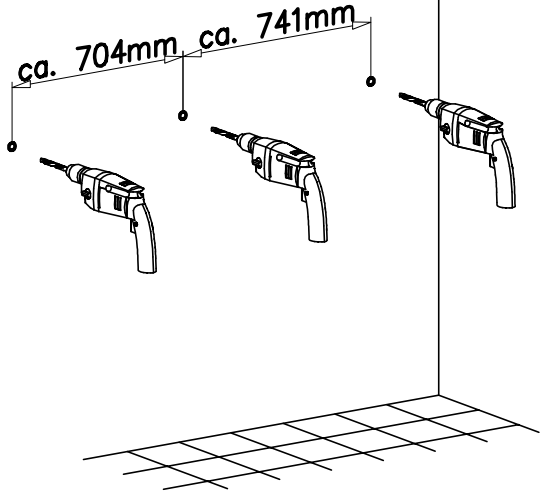
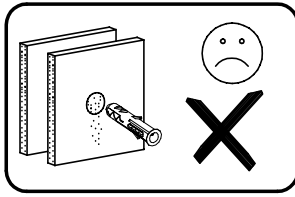
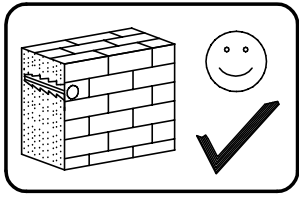


VII

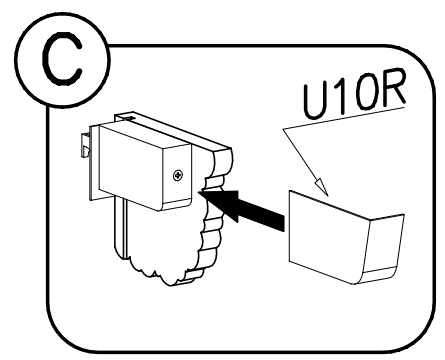
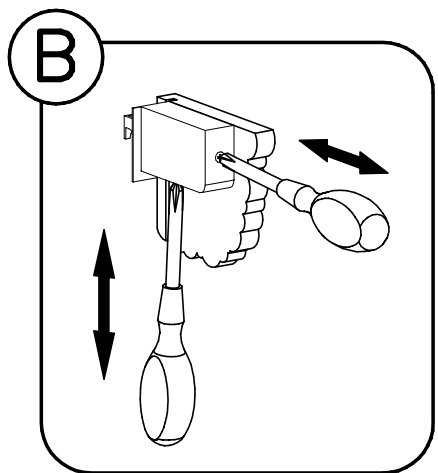
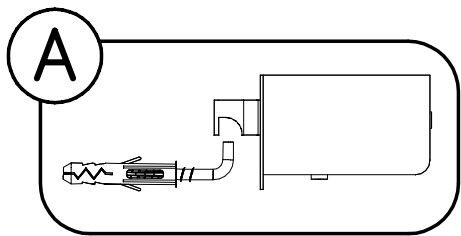
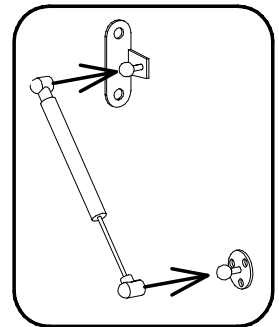
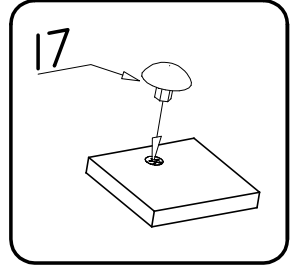
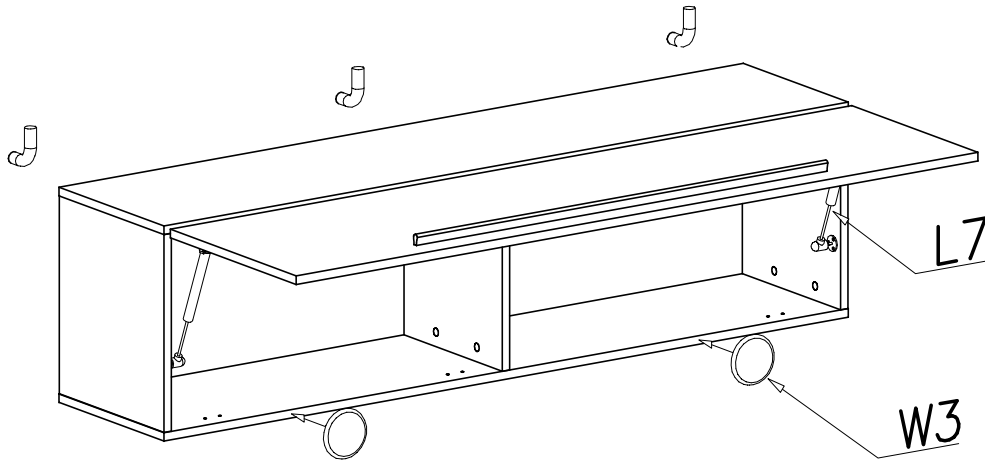


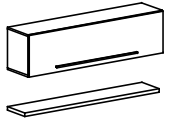


VIII

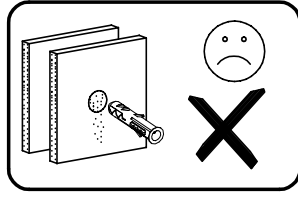
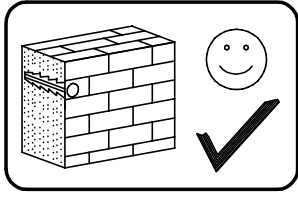


IX

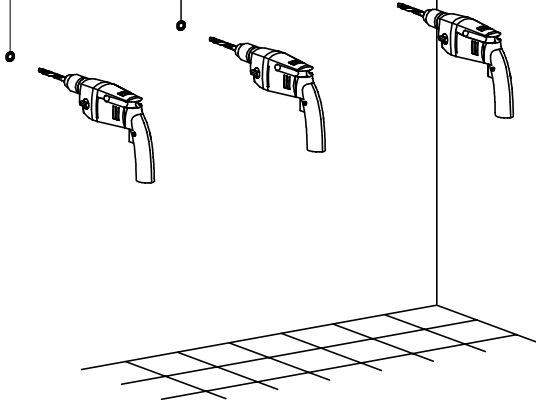




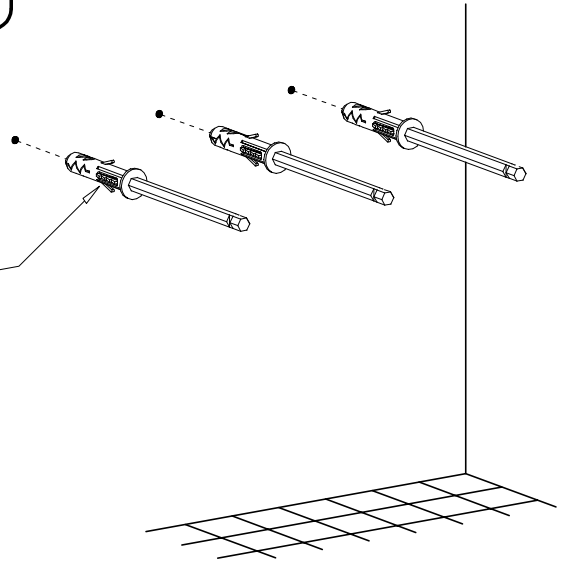
X



ca. 480mm ca. 480mm



U19



XI

