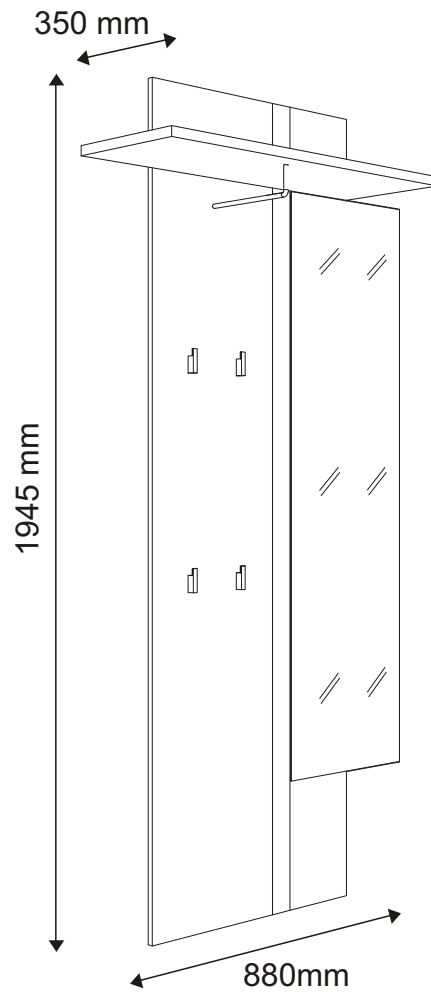






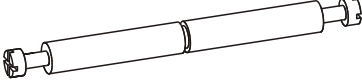


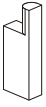


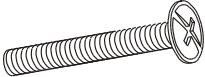
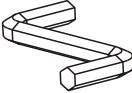
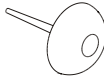

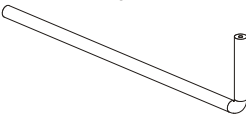
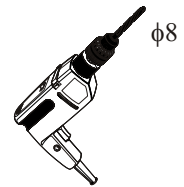
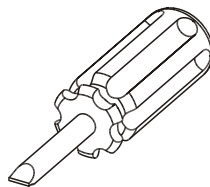
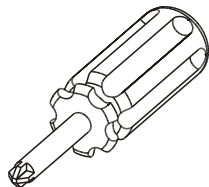
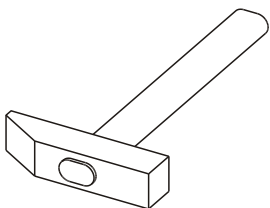
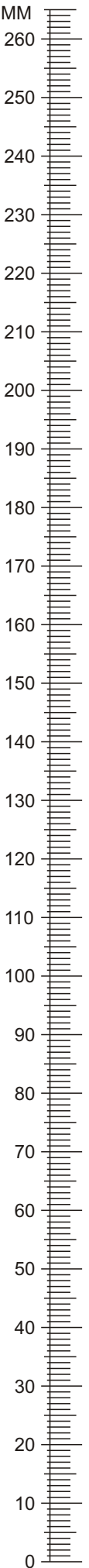


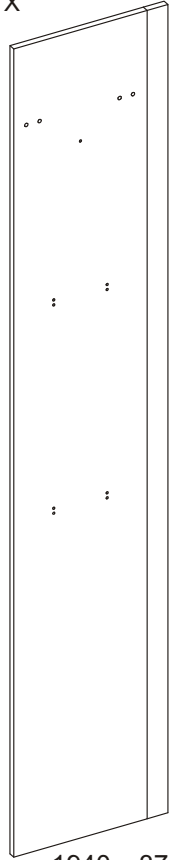
# LYNATET 115



<b>A1</b> 3X $\varnothing 8 \times 35\text{mm}$ 	<b>A2</b> 6X $\varnothing 8 \times 45\text{mm}$ 	<b>C2</b> 6X EURO 5 x 13mm 
<b>E0a</b> 6X 	<b>E0b</b> 6X 	<b>E1</b> 12X $\varnothing 15 \times 12\text{mm}$ 
<b>F3</b> 6X $\varnothing 7 \times 62\text{mm}$ 	<b>G0</b> 3X 	<b>G1</b> 3X $\varnothing 7 \times 50\text{mm}$ 
<b>H4</b> 4X 2971/12 	<b>K3</b> 8X M4x22 	<b>K5</b> 1X M4x30 
<b>K8</b> 1X M4x35 	<b>M</b> 1X 	<b>O2</b> 2X 
<b>P1</b> 3X 	<b>P22</b> 1X L-270 	

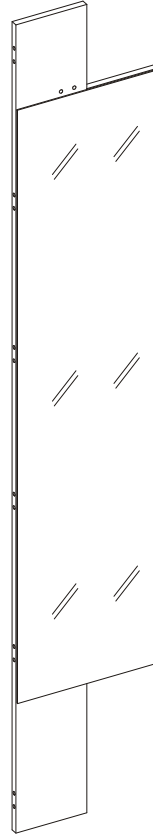


1  
1X



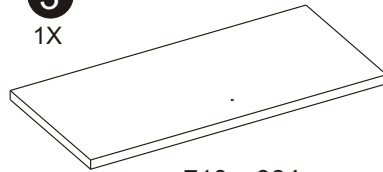
1940 x 370 mm

2  
1X



1940 x 340 mm

3  
1X



710 x 334 mm

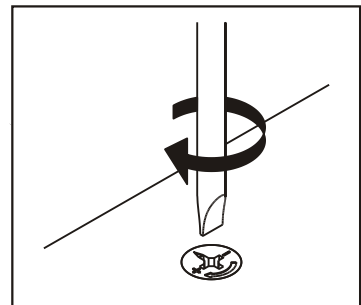
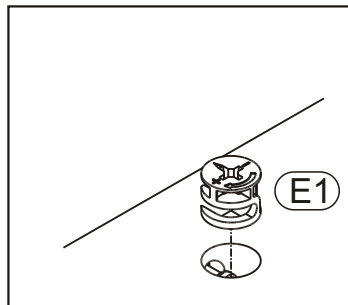
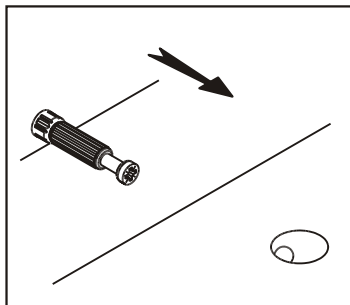
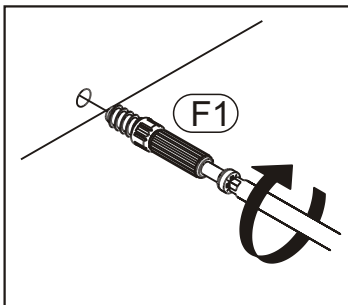


1:

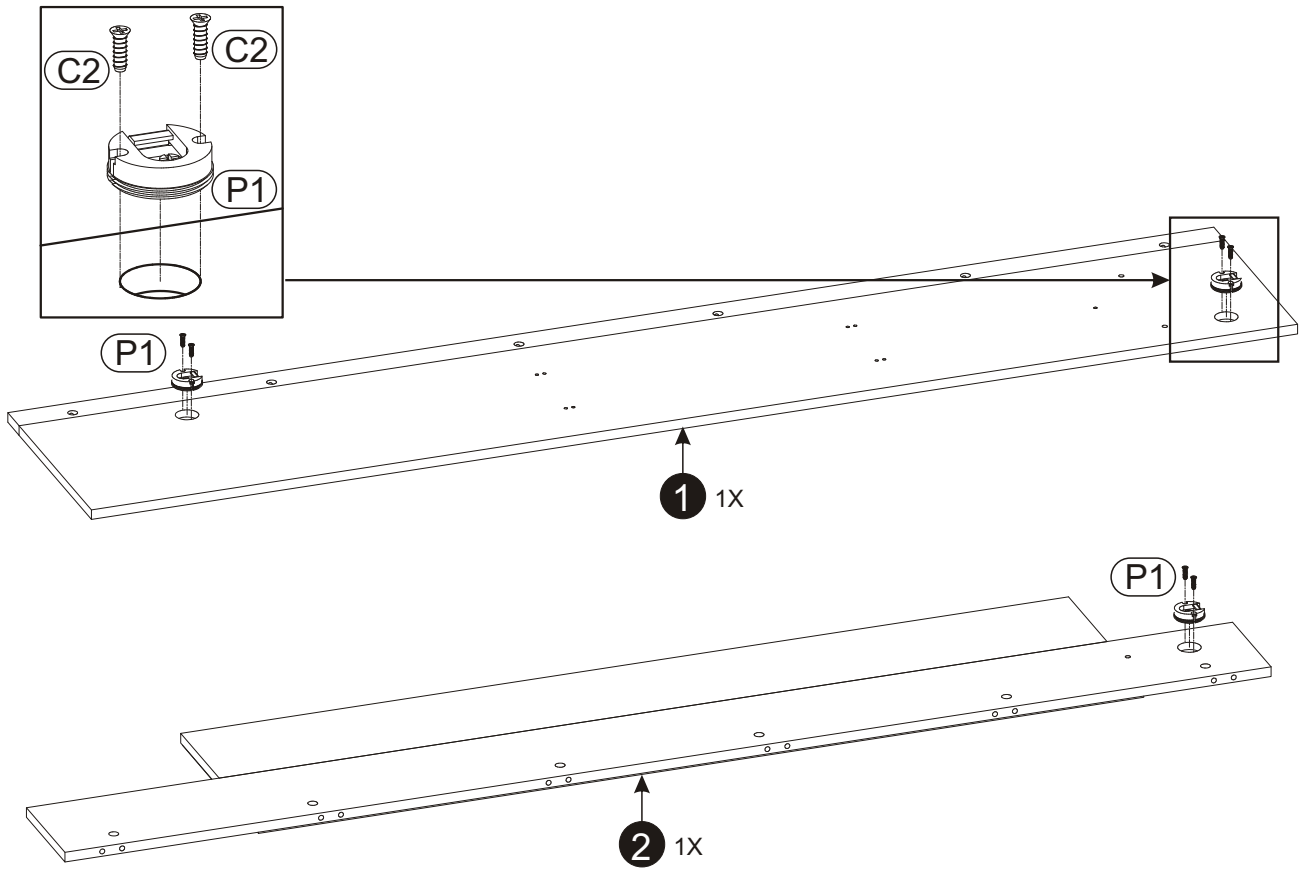
2:

3:

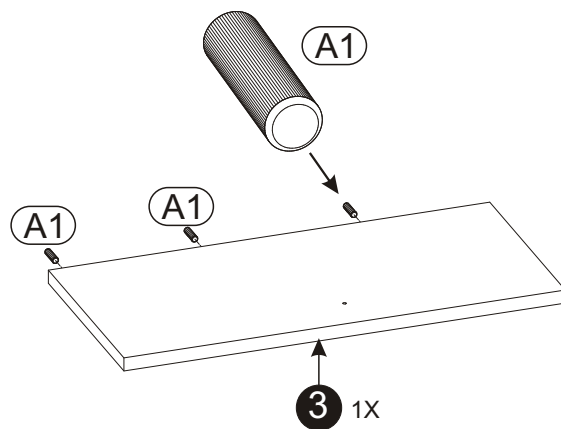
4:



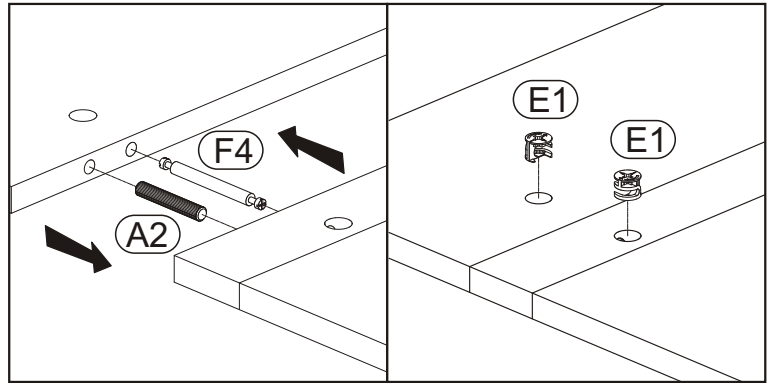
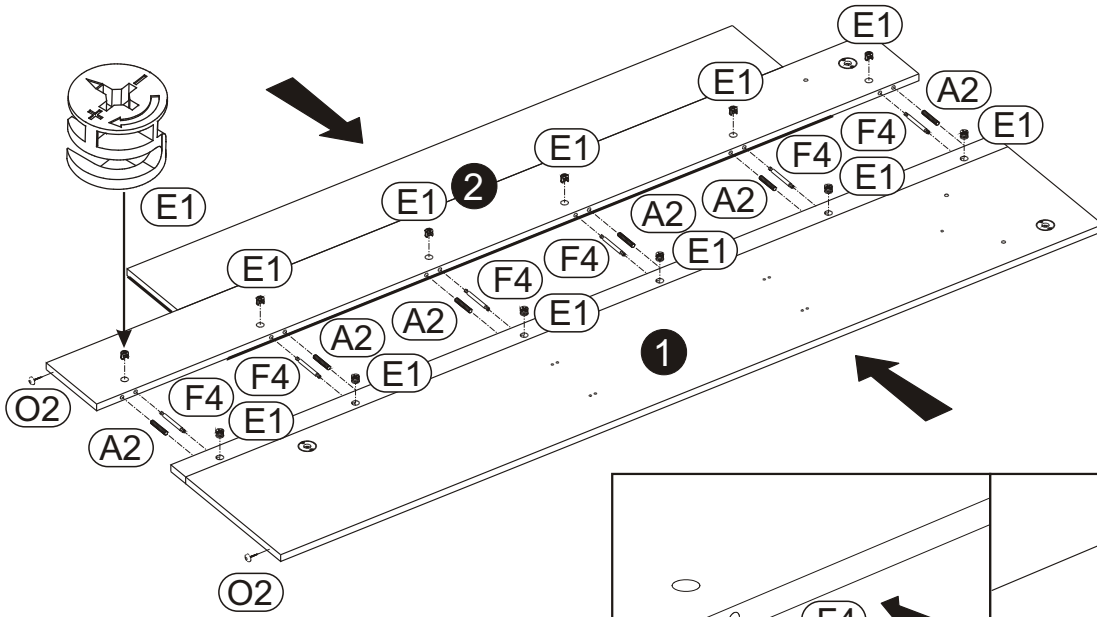
1 ▶



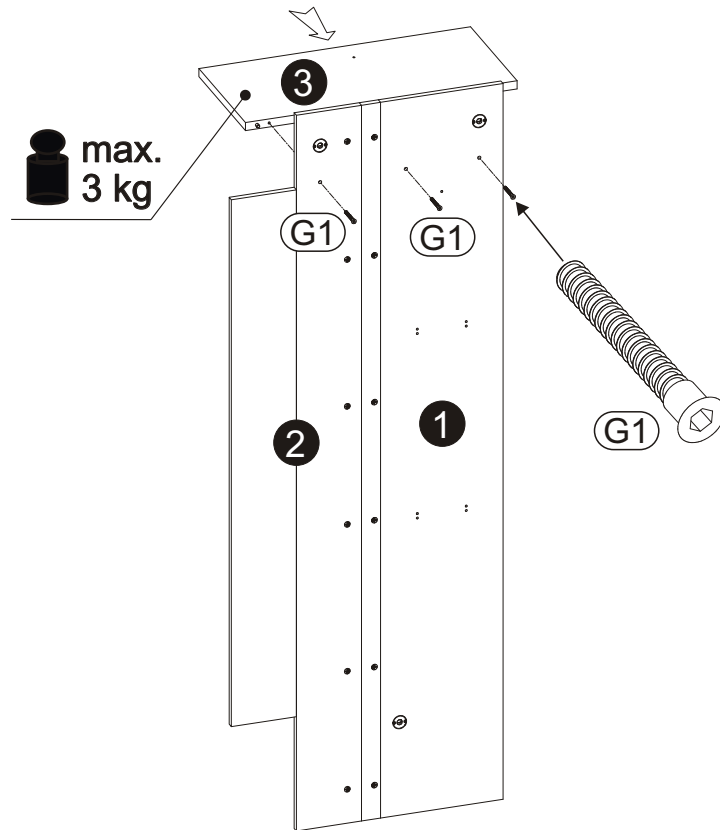
2 ▶



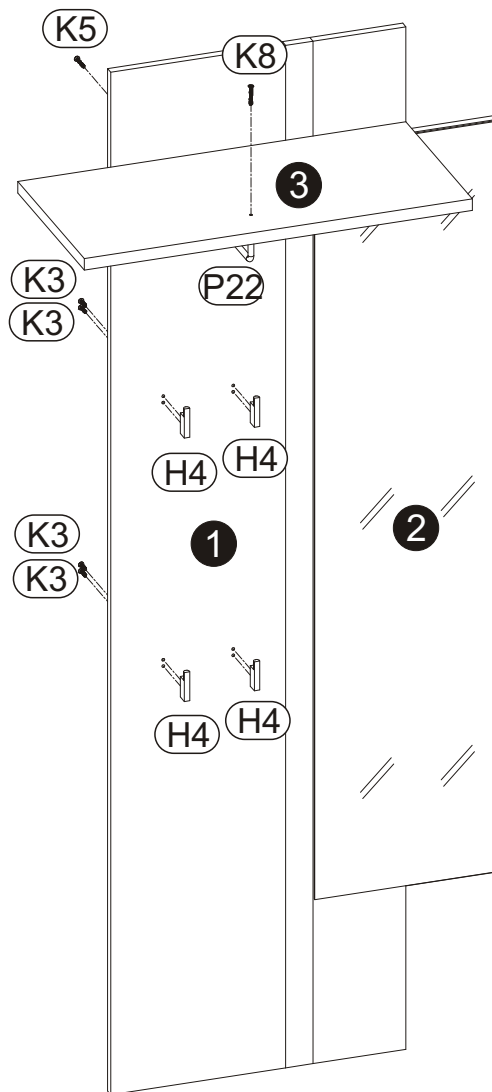
3 ▶



4 ▶



5 ▶



6 ▶

